

PLEASE CHECK WWW.MOLEX.COM FOR LATEST PART INFORMATION

Part Number: **0190050016**
Status: **Active**
Description: InsulKrimp™ Quick Disconnect, Female, Box, Tab 6.35mm (.250") x 0.81mm (.032")

Documents:

[Drawing \(PDF\)](#) [RoHS Certificate of Compliance \(PDF\)](#)
[Product Specification PS-19902-008 \(PDF\)](#)

Agency Certification

UL E79133

General

Product Family Quick Disconnects
 Series 19005
 Crimp Quality Equipment Yes
 Product Name InsulKrimp™
 Type Quick Disconnect

Physical

Barrel Type Closed
 Color - Resin Natural
 Flammability 94V-2
 Gender Female
 Glow-Wire Compliant No
 Insulation PVC
 Lock to Mating Part None
 Material - Metal Brass
 Material - Resin Nylon
 Orientation Straight
 Packaging Type Bag
 Tab Thickness 0.81mm (.032")
 Tab Width 6.35mm (.250")
 Wire Size AWG 10, 12

Electrical

Voltage - Maximum 600V

Material Info

Old Part Number C-2265VN

Reference - Drawing Numbers

Product Specification PS-19902-008
 Sales Drawing SD-19003-004

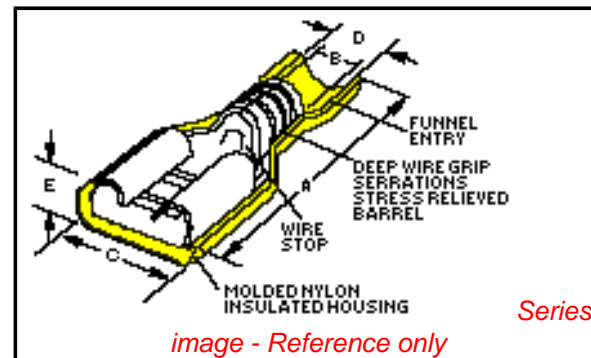


image - Reference only

EU RoHS

**ELV and RoHS
Compliant**

REACH SVHC

Not Reviewed

Halogen-Free

Status

Not Reviewed

China RoHS



**Need more information on product
environmental compliance?**

Email productcompliance@molex.com
 For a multiple part number RoHS Certificate of Compliance, [click here](#)

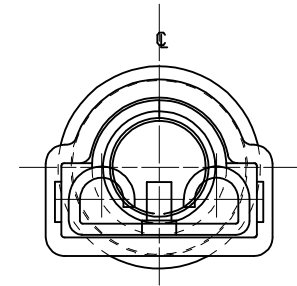
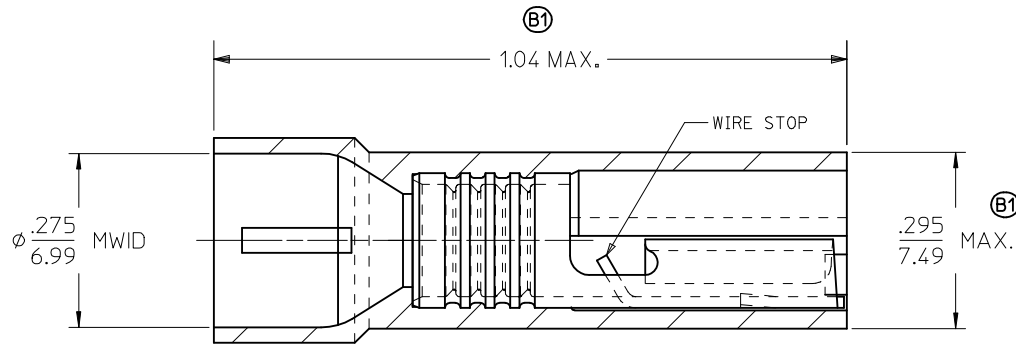
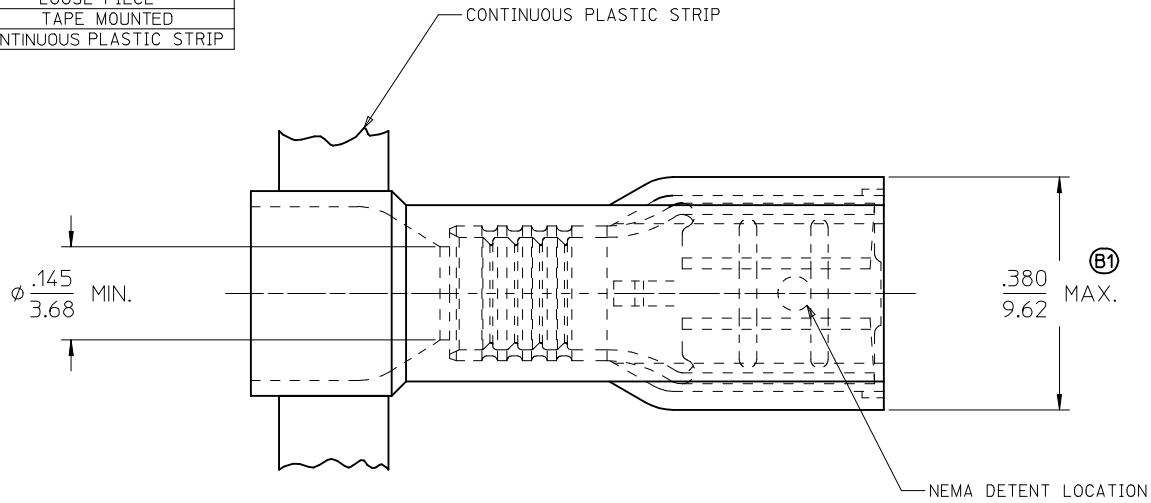
Please visit the [Contact Us](#) section for any non-product compliance questions.

Search Parts in this Series

19005Series

PLEASE CHECK WWW.MOLEX.COM FOR LATEST PART INFORMATION

MATERIAL NUMBER	ENGINEERING NUMBER	CARRIER CONFIGURATION
190050016	C-2265VN	LOOSE PIECE
190050018	C-2265VNT	TAPE MOUNTED
190050017	C-2265VNC	CONTINUOUS PLASTIC STRIP



SALES DRAWING

NOTES:

1. MATERIAL: TERMINAL: BRASS .018/0.46.
PLATING: ELECTRO-TIN
INSULATION: NYLON 6/6 94V-0 RATING
COLOR: YELLOW.
2. MWD = MAXIMUM WIRE INSULATION DIAMETER.
3. ALL DIMENSIONS = INCHES/MM
4. PARTS ARE ROHS COMPLIANT.

CORRECT TOLERANCES EC NO: WNA2009-0432 DRW: HETHRODAHL 2009/01/15 CHKD: JMACNEIL 2009/01/16 APPR: JMACNEIL 2009/01/16	QUALITY SYMBOLS ▽=0 ▽=0	GENERAL TOLERANCES (UNLESS SPECIFIED)		DIMENSION STYLE		SCALE	DESIGN UNITS	THIRD ANGLE PROJECTION			
				IN/MM		5:1		INCH			
				mm	INCH	DRAWN BY	DATE	TITLE			
				DRAFT WHERE APPLICABLE MUST REMAIN WITHIN DIMENSIONS		HEB	2001/06/07	FIQD FEMALE, INSULKRIMP 94V-0 MATERIAL 12-10 AWG			
				CHECKED BY		DATE					
				RWD		2001/06/07		MOLEX INCORPORATED			
				APPROVED BY		DATE					
				RWD		2001/06/07		DOCUMENT NO.			
				MATERIAL NO.		SD-19003-004		SHEET NO.			
				SEE CHART				1 OF 1			
				THIS DRAWING CONTAINS INFORMATION THAT IS PROPRIETARY TO MOLEX INCORPORATED AND SHOULD NOT BE USED WITHOUT WRITTEN PERMISSION							