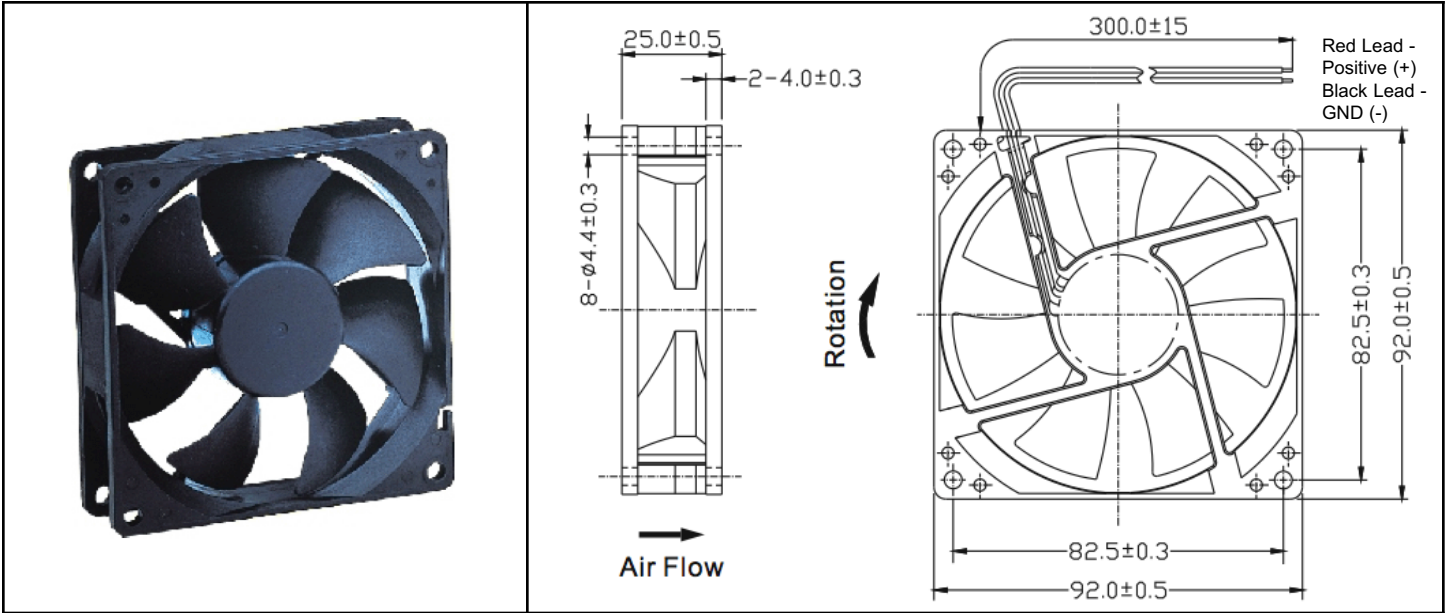


OD9225-60HB



60V DC Fan
92x25mm (3.6"x 1.0")



Frame & Impeller	PBT, UL94V-O plastic	Available Options: Tachometer (Frequency Generator) Alarm (Rotation Detector) Life Expectancy (L10) Ball - 50,000 hrs (25C) Operating Temperature Ball: -10 ~ 70C	
Connection	2x Lead wires (~300mm)		
Motor	Brushless DC, auto restart, polarity protected		
Bearing System	Ball bearing		
Insulation Resistance	10M ohm between leadwire and frame (500VDC)		
Dielectric Strength	1 second at 500 VAC, max leakage < 500 MicroAmp		

Model Number	OD9225-60HB
Part Number	193741004
Nominal Voltage	60 VDC
Voltage Range	36 ~ 72 VDC
Nominal Current	0.20 A (0.05 A locked rotor)
Rated Power	12 W
Rated Speed (RPM)	3200
Airflow (CFM)	69
Noise Level (dB)	39
Max. Static Pressure	0.22" H ₂ O

Mouser Electronics

Authorized Distributor

Click to View Pricing, Inventory, Delivery & Lifecycle Information:

[Orion Fans:](#)

[OD9225-60HB](#)