

6

5

4

3

2

1

**MATERIAL AND FINISH:**

Insulator: Polycarbonate, UL-94V-0 rated  
Contacts: Brass, Nickel plated

**ELECTRICAL SPECIFICATIONS:**

Current rating: 10 A  
Voltage rating: 250 VAC  
Insulation resistance: 100 Mohm min. at 500 VDC  
Dielectric withstanding voltage: 2000 VAC for one minute



**ORDERING CODE:**

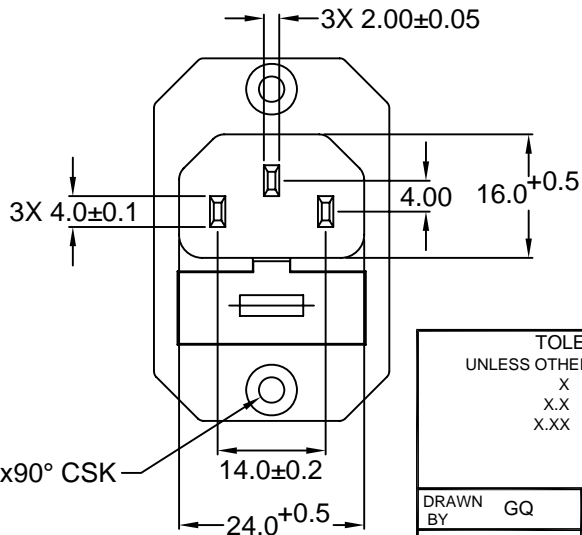
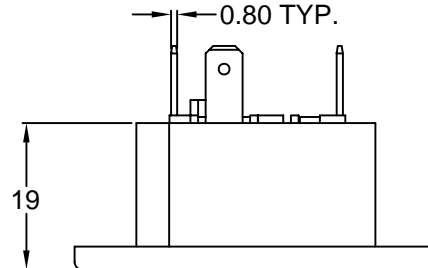
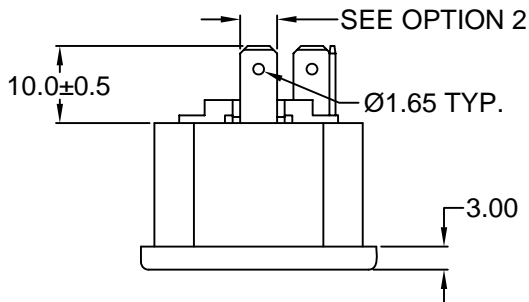
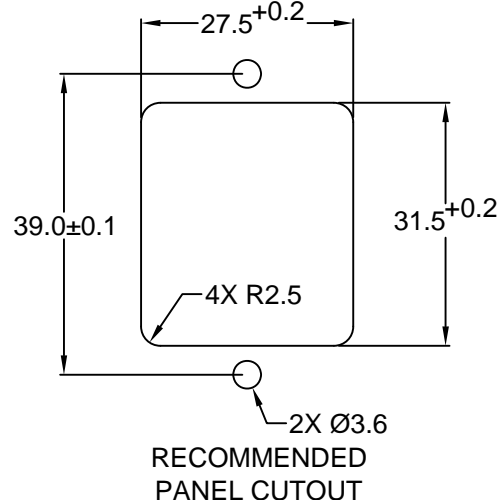
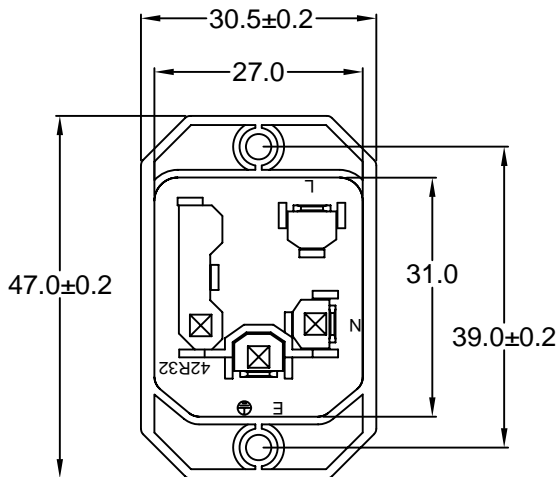
42R32-2  
1 2 3

- 1) COLOR  
1 = BLACK  
2 = GRAY

- 2) TERMINAL OPTIONS  
1 = .187(4.8)  
2 = .250(6.3)

**3) ELECTRICAL CIRCUIT CONFIGURATION**

- 1 = 10A 250V 70°C  
2+GROUND
- 2 = 10A 250V 120°C  
2+GROUND
- 4 = 10A 250V 70°C  
2 POLE



RoHS COMPLIANT

TOLERANCE UNLESS OTHERWISE SPECIFIED	
X	± 1
X.X	± 0.4
X.XX	± 0.20
DRAWN BY	GQ
DATE:	09/09/01
CHECK BY	TD
DATE:	09/09/01
APPR BY	PB
DATE:	09/09/01

**Power Dynamics, Inc.**  
Phone: 973 560-0019 Whippany, New Jersey Fax: 973 560-0076

PART: IEC 60320 SINGLE FUSE HOLDER APPL. INLET;  
QUICK CONNECT TERMINALS; CROSS FLANGE

42R32-2XXX SHEET 1 of 1

SCALE: NTS ALL DIMENSIONS FOR REFERENCE ONLY  
DIMENSIONS ARE IN MILLIMETERS REV:

D

C

B

A

REVISIONS	CHANGE	CHK	CHK	APPR

6

5

4

3

2

1