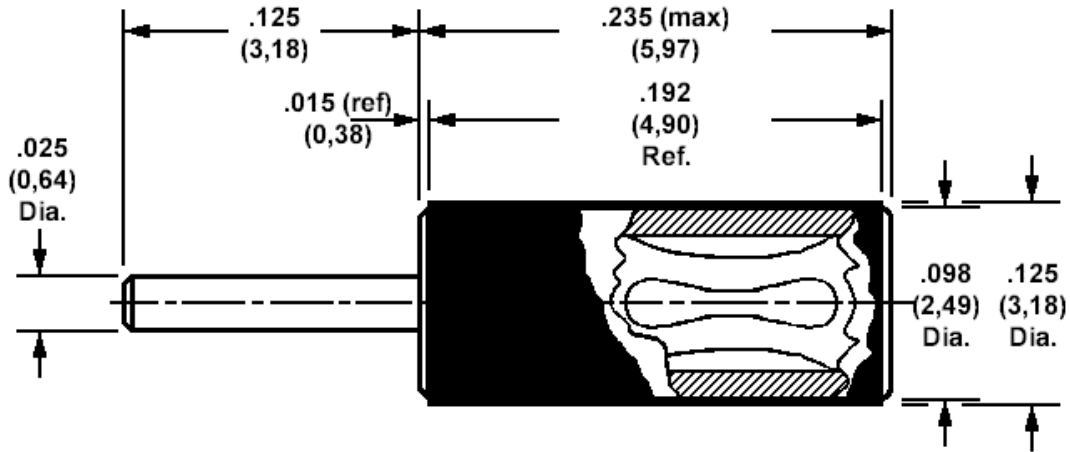


**450-3289 Converter socket, insulated, .040 (1,02) socket to .025 (0,64) pin**  
 (socket supplied without insulator, 450-3327)



Min hole depth .194 (4,95)

**How to order code**  
**450-3289-01-03-10**

Component	Material	Finish(-03)
Body	Brass	Gold over Nickel
Spring	Beryllium copper	Gold over Nickel
Insulator	Polyolefin plastic (black)	