

PLEASE CHECK WWW.MOLEX.COM FOR LATEST PART INFORMATION

Part Number: [0743209034](#)
Status: **Active**
Description: MicroCross™ DVI-I Digital/Analog Visual Interface, PCB Receptacle, PanelMount, Through Hole, Right Angle, Gold (Au) Flash, 2.34mm (.092") P.C. Tail Length, with Beveled Metal Pins, 29 Circuits, Lead Free

Documents:

[Drawing \(PDF\)](#) [RoHS Certificate of Compliance \(PDF\)](#)

Agency Certification

UL E29179

General

Product Family I/O Connectors
 Series [74320](#)
 Application Wire-to-Board
 Comments DDWG (Digital Display Working Group) Standard
 Component Type Receptacle
 Product Name MicroCross™DVI
 Type N/A

Physical

Boot Color N/A
 Circuits (Loaded) 29
 Circuits (maximum) 29
 Color - Resin Natural
 Durability (mating cycles max) 100
 Flammability 94V-0
 Gender Receptacle
 Keying to Mating Part Yes
 Lock to Mating Part Yes
 Material - Metal Copper Alloy
 Material - Plating Mating Gold
 Material - Plating Termination Tin
 Number of Rows 3
 Orientation Right Angle
 PC Tail Length (in) 0.092 In
 PC Tail Length (mm) 2.34 mm
 PCB Locator No
 PCB Retention Yes
 Packaging Type Tray
 Panel Mount Yes
 Pitch - Mating Interface (in) 0.075 In
 Pitch - Mating Interface (mm) 1.91 mm
 Pitch - Term. Interface (in) 0.075 In
 Pitch - Term. Interface (mm) 1.91 mm
 Plating min: Mating (µin) 2
 Plating min: Mating (µm) 0.05
 Plating min: Termination (µin) 100
 Plating min: Termination (µm) 2.50
 Polarized to Mating Part Yes
 Polarized to PCB Yes
 Ports 1
 Surface Mount Compatible (SMC) No
 Temperature Range - Operating -20°C to +85°C
 Termination Interface: Style Through Hole

EU RoHS

**ELV and RoHS
Compliant**
REACH SVHC
 Not Reviewed
**Halogen-Free
Status**

China RoHS



Not Reviewed

Need more information on product environmental compliance?

Email productcompliance@molex.com
 For a multiple part number RoHS Certificate of Compliance, [click here](#)

Please visit the [Contact Us](#) section for any non-product compliance questions.

Search Parts in this Series

[74320Series](#)

Mates With

[88744](#) , [74323](#)

| | |
|-------------------------------|--------------|
| Waterproof / Dustproof | No |
| Wire Size AWG | N/A |
| Electrical | |
| Current - Maximum per Contact | 3A |
| Grounding to Panel | Yes |
| Shield Type | Full Shield |
| Shielded | Yes |
| Voltage - Maximum | 40V AC (RMS) |

Material Info

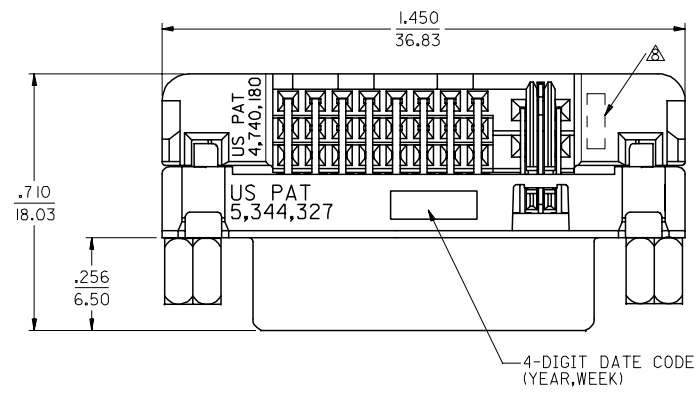
Reference - Drawing Numbers

| | |
|-------------------------|--------------|
| Packaging Specification | PK-74320-044 |
| Sales Drawing | SD-74320-025 |

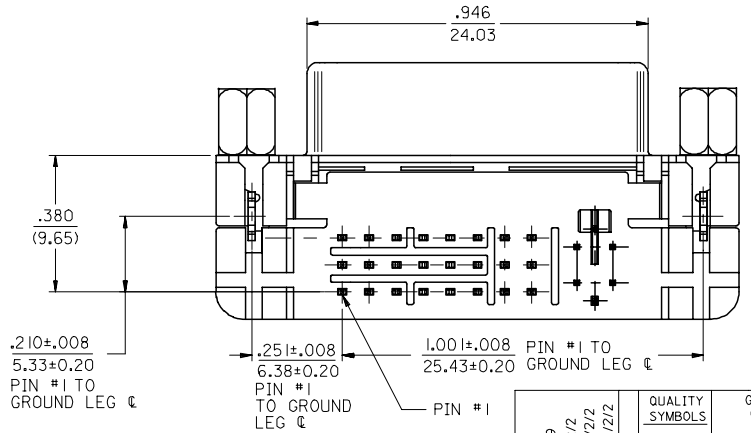
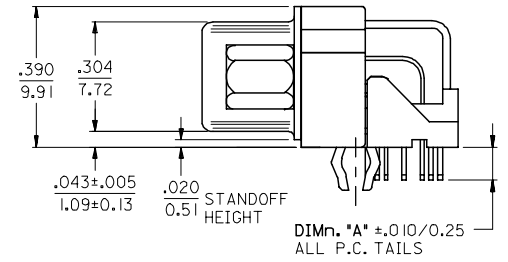
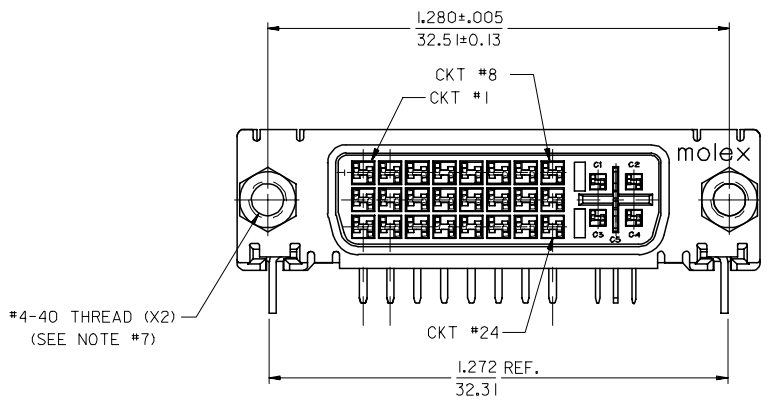
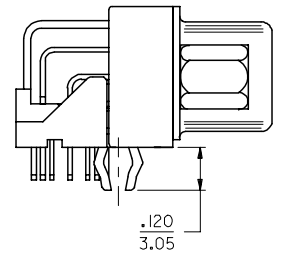
This document was generated on 05/10/2010

PLEASE CHECK WWW.MOLEX.COM FOR LATEST PART INFORMATION

| PART NUMBER | DIM "A" | PLATING OPTION |
|-------------|-----------|----------------|
| 74320-9034 | .092/2.34 | 2 |
| 74320-9033 | .092/2.34 | 1 |

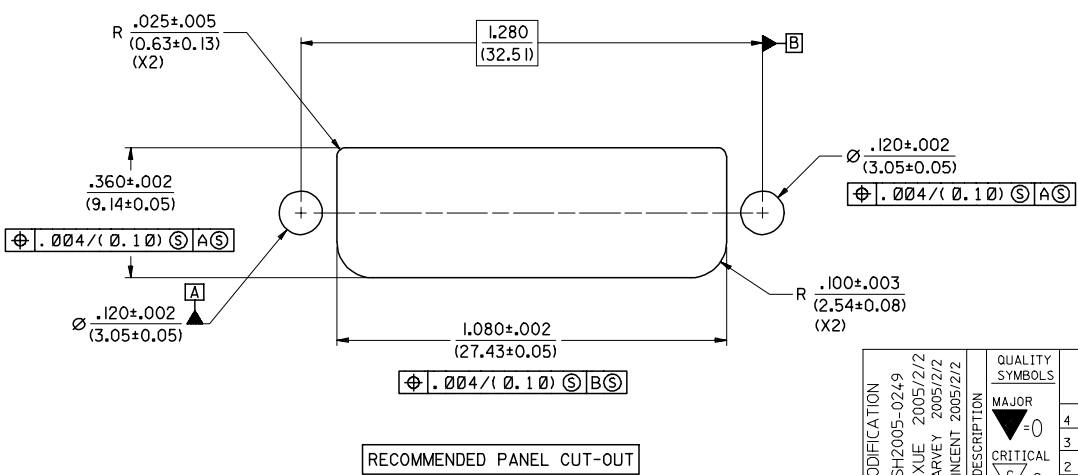
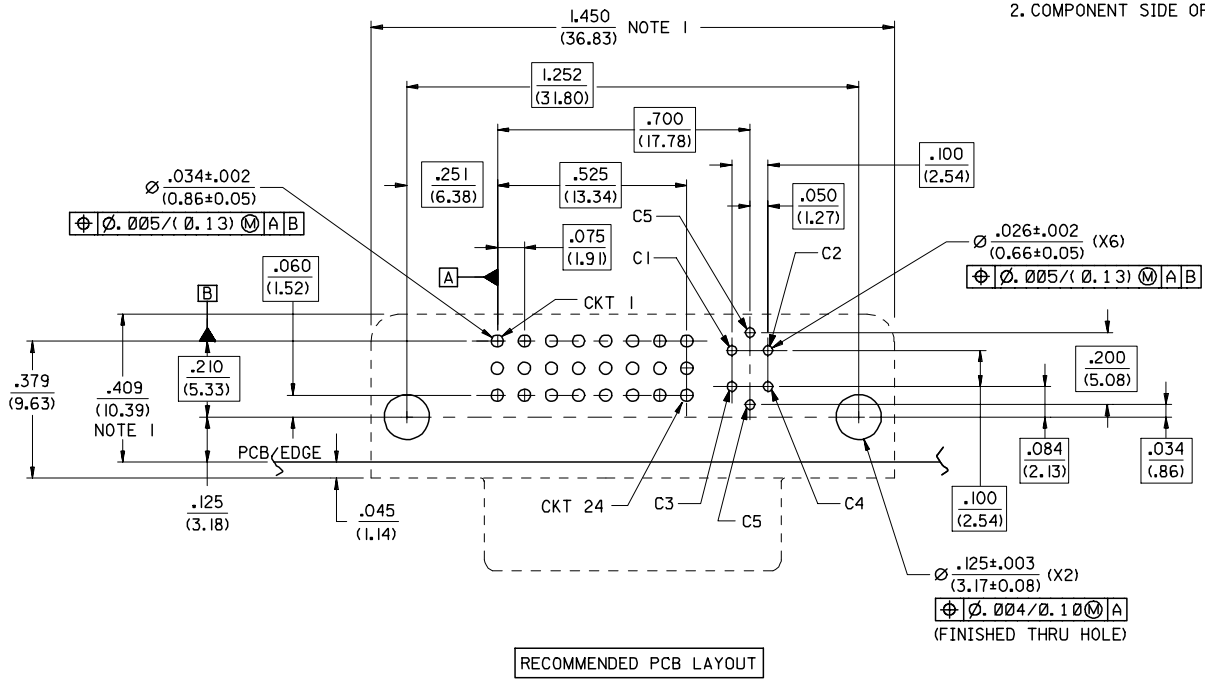


- NOTES:
- MATERIALS:
 SHIELD -- DEEP DRAW STEEL.
 HOUSING -- GLASS FILLED POLYMER, WHITE/NATURAL, UL 94V-0.
 TAIL ALIGNER -- GLASS FILLED POLYMER, WHITE/NATURAL, UL 94V-0.
 CONTACTS -- COPPER ALLOY.
 MICROCROSS GROUND -- COPPER ALLOY.
 - PLATING: SEE SHEET 2
 - PRODUCT CONFORMS TO MOLEX PRODUCT SPECIFICATION NUMBER PS-74320-001.
 - SEE SHEET 2 FOR RECOMMENDED PANEL CUT-OUT AND P.C.B. LAYOUT.
 - PARTS WILL BE PACKAGED IN TRAYS PER PK-74320-044.
 - PRODUCT CONFORMS TO DDWG DVI SPECIFICATION. REFER TO THIS SPECIFICATION FOR CONNECTOR MATING DIMENSIONS.
 - MOUNTING HARDWARE IS MOLEX P/N 88780-6066. REFER TO PRODUCT SPECIFICATION NUMBER PS-74320-001 FOR THE APPLICATION TORQUE REQUIREMENT FOR ASSEMBLING MOUNTING HARDWARE.
- △ CAVITY NO. AND MANUFACTURING PLANT CODE.



| MODIFICATION | DESCRIPTION | QUALITY SYMBOLS | GENERAL TOLERANCES: (UNLESS SPECIFIED) | | SCALE 4 : 1 | DESIGN UNITS <input type="checkbox"/> mm <input checked="" type="checkbox"/> INCH | DRAWN BY & DATE TONY ZHANG 03/03/04 | TITLE: DVI - I RIGHT ANGLE RECEPTACLE CONNECTOR W/FORKLOCK | DIMENSIONS: <input type="checkbox"/> mm <input checked="" type="checkbox"/> INCH <input type="checkbox"/> mm ONLY | SHT REVISE ON CAD ONLY | REV |
|----------------------|------------------------|-----------------|--|--------|----------------|--|--|---|---|---------------------------|-----|
| | | | mm | INCH | | | | | | | |
| EC NO. SH2005-0249 | DRWG: DXUE 2005/2/2 | MAJOR | 4 PLACES | ±0.--- | ±.--- | CHECKED BY & DATE WU YAJUN 03/03/18 | APPROVED BY & DATE SAM HUANG 03/03/24 | MATERIAL NO. SEE CHART | DRAWING NO. SD-74320-025 | SHEET NO. 1 OF 2 | |
| CHK: HARVEY 2005/2/2 | APPR: VINCENT 2005/2/2 | CRITICAL | 3 PLACES | ±0.--- | ±.010 | | | | | | |
| | | | 2 PLACES | ±0.25 | ±.010 | | | | | | |
| | | | 1 PLACE | ±0.25 | ±.010 | | | | | | |
| | | | ANGULAR: ± ° | | | | | | | | |
| | | | DRAFT WHERE APPLICABLE MUST REMAIN WITHIN DIMENSIONS | | | THIS DRAWING CONTAINS INFORMATION THAT IS PROPRIETARY TO MOLEX INCORPORATED AND SHOULD NOT BE USED WITHOUT WRITTEN PERMISSION. | | | SIZE C | | |

NOTES:
 1. THESE DIMENSIONS REPRESENT CONNECTOR OVERLAY ON PCB.
 2. COMPONENT SIDE OF PCB SHOWN.



NOTE:
 1. PANEL THICKNESS: .030" - .040".

PLATING OPTIONS:
PLATING OPTION #1:
 OUTER SHIELD -- 150u"/(3.75um) MIN. BRIGHT TIN OVER 50u"/(1.27um) MIN. NICKEL OVER COPPER FLASH
 .075"/(1.91mm) CONTACTS -- 30u"/(0.75um) MIN. SELECT GOLD AND 100u"/(2.50um) MIN. SELECT PURE TIN OVER 50u"/(1.27um) MIN. NICKEL OVERALL.
PLATING OPTION #2:
 OUTER SHIELD -- 150u"/(3.75um) MIN. BRIGHT TIN OVER 50u"/(1.27um) MIN. NICKEL OVER COPPER FLASH
 .075"/(1.91mm) CONTACTS -- SELECT GOLD FLASH AND 100u"/(2.50um) MIN. SELECT PURE TIN OVER 50u"/(1.27um) MIN. NICKEL OVERALL.

| | | | | | | | | |
|--|--------------------------------------|--|--|--|--|---|------------------------|-----------------------------|
| MODIFICATION EC No. SH2005-0249 DRWN DXUE 2005/2/2 CHK: HARVEY 2005/2/2 APPR: VINCENT 2005/2/2 | QUALITY SYMBOLS MAJOR CRITICAL | GENERAL TOLERANCES: (UNLESS SPECIFIED) | | SCALE 4 : 1 | DESIGN UNITS <input type="checkbox"/> mm <input checked="" type="checkbox"/> INCH | DIMENSIONS: <input type="checkbox"/> INCH ONLY <input type="checkbox"/> SHT <input type="checkbox"/> REV <input checked="" type="checkbox"/> mm <input checked="" type="checkbox"/> INCH <input type="checkbox"/> mm ONLY <input type="checkbox"/> mm ONLY <input type="checkbox"/> INCH ONLY | THIRD ANGLE PROJECTION | REVISION ON CAD ONLY |
| | | DRAWN BY & DATE TONY ZHANG 03/03/04 | | TITLE: DVI - I | | RIGHT ANGLE W/FORKLOCK RECEPTACLE CONNECTOR | | |
| | | CHECKED BY & DATE WU YAJUN 03/03/18 | | APPROVED BY & DATE SAM HUANG 03/03/24 | | MOLEX INCORPORATED | | |
| | | ANGULAR: ± ° | | CAD FILENAME SD74320025.S02 | | MATERIAL NO. SEE SHEET 1 | | DRAWING NO. SD-74320-025 |
| DRAFT WHERE APPLICABLE MUST REMAIN WITHIN DIMENSIONS | | THIS DRAWING CONTAINS INFORMATION THAT IS PROPRIETARY TO MOLEX INCORPORATED AND SHOULD NOT BE USED WITHOUT WRITTEN PERMISSION. | | | | | | SHEET NO. 2 |