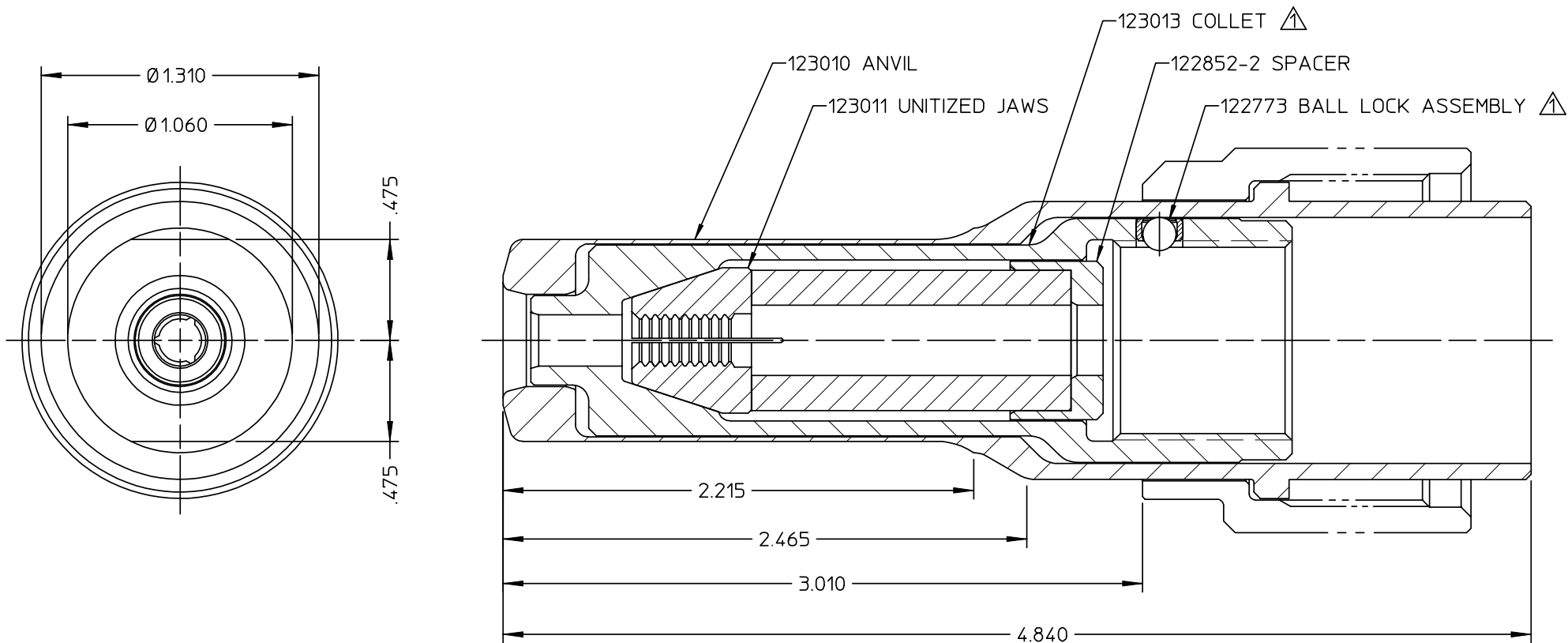


DATA SHEET



Alcoa Fastening Systems

Commercial Products
1 Corporate Drive, Kingston, NY 12401

99-3119	Part Number	TYPE:	NON-SELF-RELEASING
		FASTENER:	-10 BOM
		TOOL(S):	2600
		Notes:	Product Revision: B
		US Patent:	Date: 07/09/03

NOTES:

▲ COLLET AND LOCK ASSEMBLY P/N 123012 CONSISTS OF:
COLLET P/N 123013
BALL LOCK ASSEMBLY P/N 122773
NOT AVAILABLE SEPARATELY.

2 STEEL DEFLECTOR: 126634-2600 IS OPTIONALLY AVAILABLE.