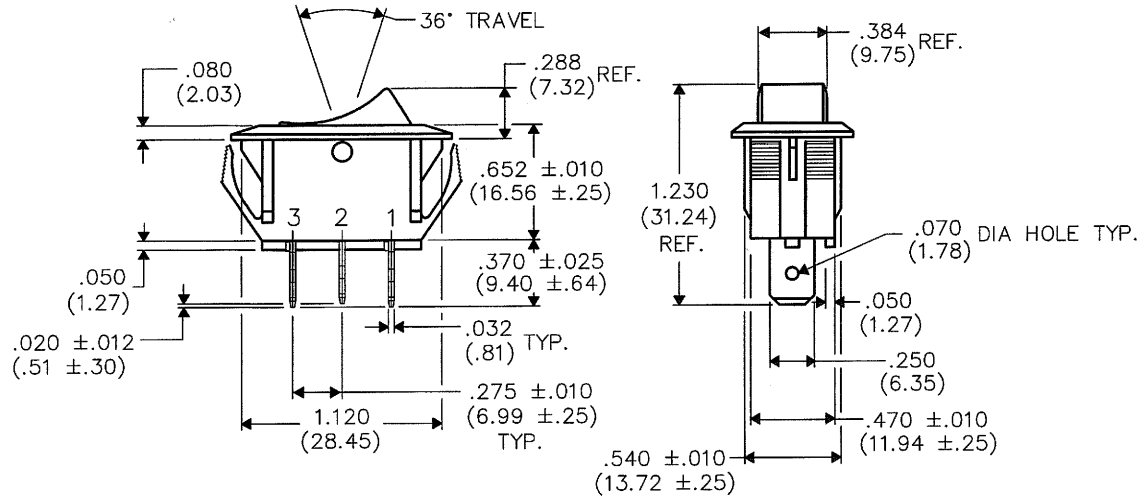
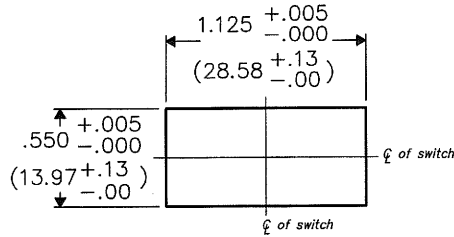


**PANEL PIERCING**



1 2 3 4 5 6 7 8 9 10

B-FORMAT 2002  
**REVISIONS**

0  
RELEASED: 8-14-2008  
DGW  
**AUG 15 2008**

**CW INDUSTRIES**  
Southampton, Pa. 18966

TOLERANCES UNLESS OTHERWISE SPECIFIED

2 Place Decimal ±.010	METRIC
3 Place Decimal ±.005	1 Place Dec. ±.25mm
Angles ..... ±1°	2 Place Dec. ±.13mm

Made for: CW IND.  
Drawn by: DGW 8-14-2008  
Checked by: *G. Gold 8-15-08*  
Approval: *G. Gold 8-15-08*

Title: **ROCKER SWITCH S.P.D.T. NO POLAR.,NO BARR.**

Division: **SWITCH**

Dwg. No. **GRS-2012-2009**

**MASTER**