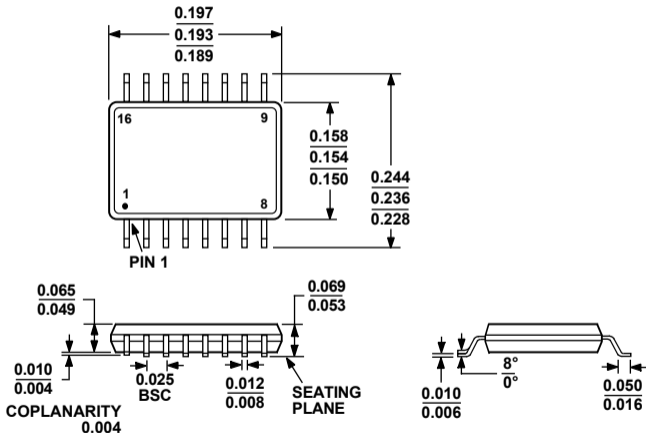


**16-Lead Shrink Small Outline Package [QSOP]
(RQ-16)**

Dimensions shown in inches



COMPLIANT TO JEDEC STANDARDS MO-137-AB