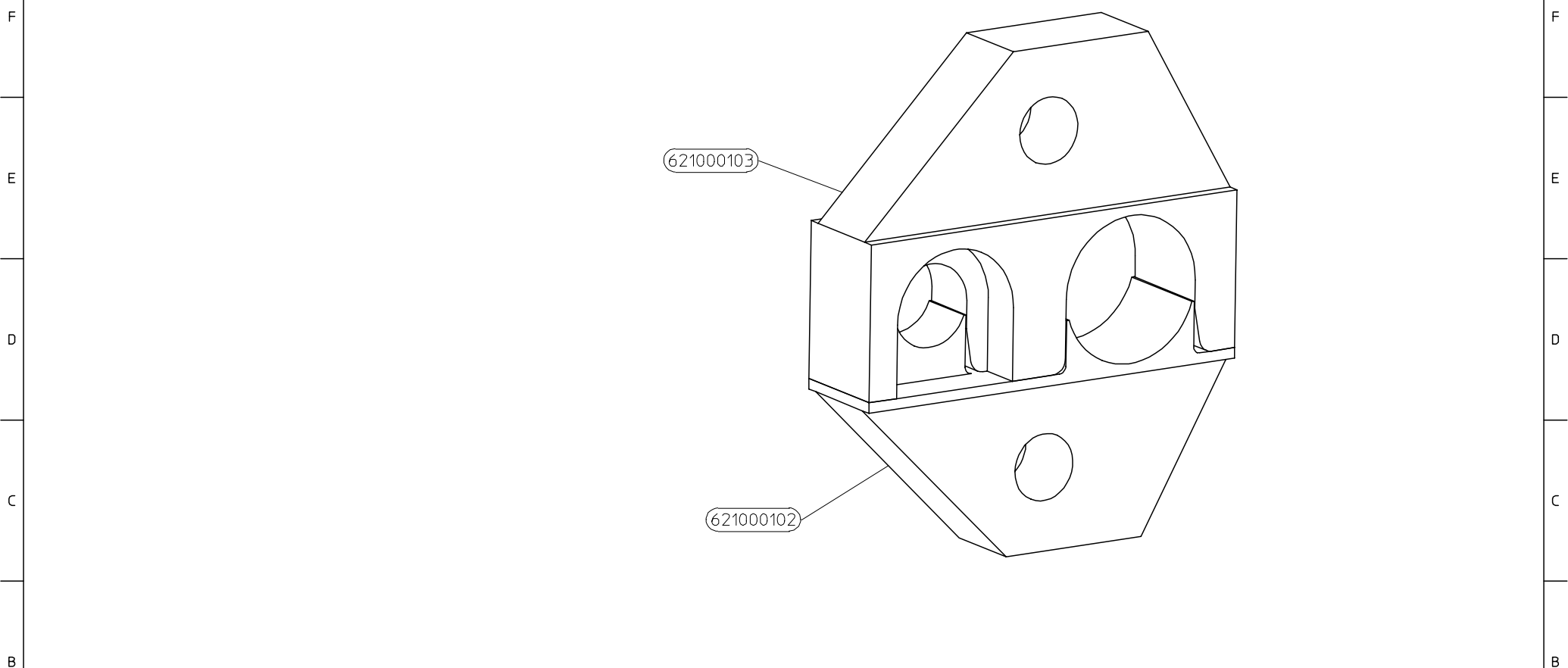


10 9 8 7 6 5 4 3 2 62100



621000103

621000102

REL FOR PRODUCTION EC NO: UAT1999-0712 DRW: ESTENSTR99/03/30 CHK: ESTENSTR99/03/30 APPR: ESTENSTR99/03/30	REV DESCRIPTION	QUALITY SYMBOLS	GENERAL TOLERANCES (UNLESS SPECIFIED)		SCALE 4:1	DESIGN UNITS mm	THIRD ANGLE PROJECTION	REVISE ON CAD ONLY		
		▼ -0 ▽ -0	mm	INCH	DIMENSION STYLE		FERRULE CRIMP DIES			
			4 PLACES ± ---	± ---	mm only					
			3 PLACES ± ---	± ---	DRAWN BY DATE		71256-0001 FERRULE			
2 PLACES ± ---	± ---	ESTenstr1999/03/30								
1 PLACE ± ---	± ---	CHECKED BY DATE		MOLEX INCORPORATED						
ANGULAR ± 1/2 °		ESTenstr1999/03/30								
DRAFT WHERE APPLICABLE MUST REMAIN WITHIN DIMENSIONS			APPROVED BY DATE	MATERIAL NO.	DOCUMENT NO.	SHEET NO.				
			ESTenstr1999/03/30	621000101	621000101	1 OF 1				
THIS DRAWING CONTAINS INFORMATION THAT IS PROPRIETARY TO MOLEX INCORPORATED AND SHOULD NOT BE USED WITHOUT WRITTEN PERMISSION								B		

9 8 7 6 5 4 3 2 1