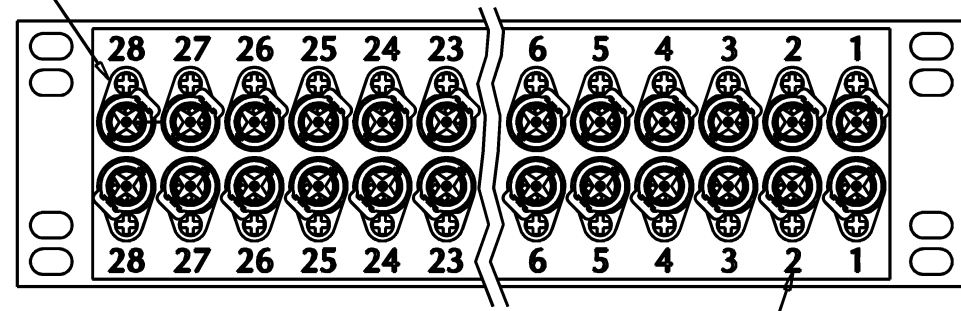
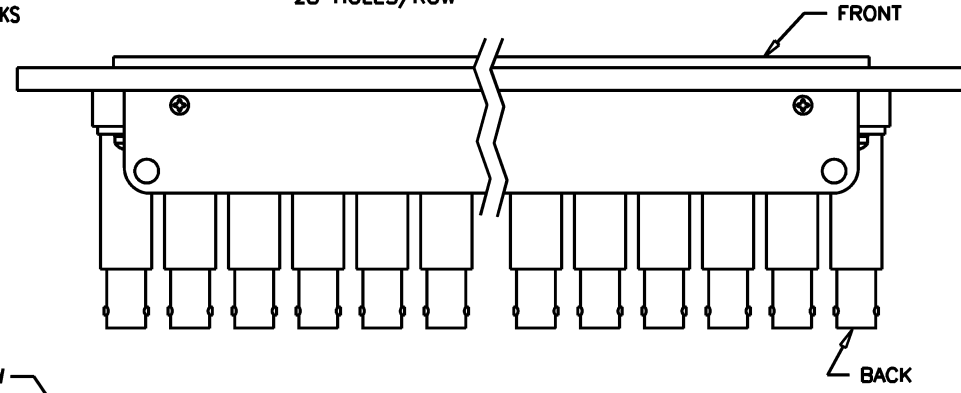
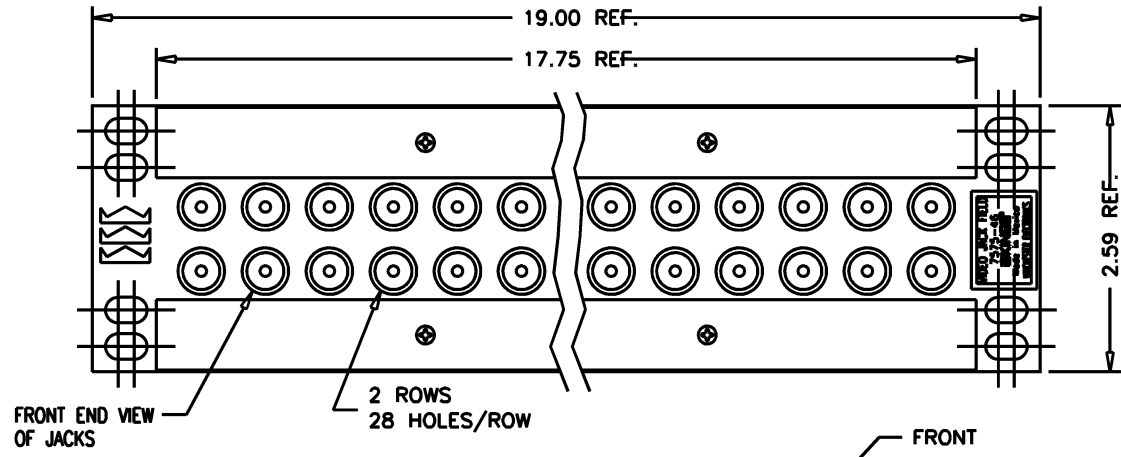


DASH NO.	M CODE	MADE FROM
----------	--------	-----------

**NOTES:**

- PANEL MATERIALS-**  
VIDEO PANEL: PHENOLIC, TYPE BE  
SCREWS: STAINLESS STEEL  
ALL OTHER METAL PARTS: COLD ROLLED STEEL  
**FINISHES-**  
SCREWS: PASSIVATE PER QQ-P-35  
MODULAR PANEL ASSY: BLACK PAINT
- PATCH JACK-75 BNC ADAPTER (7520-10) MATERIALS:**  
BLOCK INSULATOR CHIP RESISTOR: DELRIN II 50 (MOLDED)  
SCREW: STAINLESS STEEL  
INSULATOR: ZYTEL ST-801, COLOR: BLACK  
SPRINGS } BER. COP., ASTM-B-196  
CENTER CONTACTS }  
ALL OTHER METAL PARTS: BRASS, ASTM-B16
- FINISHES:**  
SCREW: PASSIVATED PER. QQ-P-35  
CENTER CONTACTS } HARD GOLD PLT. PER MIL-G-45204  
SPRINGS }  
ALL OTHER METAL PARTS: KINGS TARNISH RESISTANT  
NICKEL FINISH (TR-5)
- ELECTRICAL CHARACTERISTICS:**  
NOMINAL IMPEDANCE: 75 OHMS  
FREQUENCY RANGE: DC TO 750 MHz  
RESISTANCE: 75 OHMS ±5%  
RETURN LOSS: DC-500 MHz, -25db MINIMUM  
500-750 MHz, -20db MINIMUM



**UNLESS OTHERWISE SPECIFIED**

- ALL DIMENSIONS IN INCHES (MILLIMETERS).
- TOLERANCES:  

.xxx ±.004	.xx ±.010
[.xxx ±.10]	[.xx ±.25]
FRACTIONS: x/y ±.010 [.25]	ANGLES: ± 1°

★ CRITICAL DIMENSIONS

**REVISIONS**

ISSUE	CHANGES
0	ER 37935 TML 11/10/99
1	CN 38719 E BDH 11/13/02
2	CN 39404 D AM 02/13/06
0	ER 6243 BAM 01/25/08

SD7575-46

CUSTOMER SALES DRAW

SCALE	3/4:1		
APPROX SURFACE AREA			
USED ON			
REF:	E-19805		
JACKFIELD, VIDEO			
DRAWN	TML	DATE	11/10/99
DESIGN	DCT	DATE	11/10/99
APPR.	DCT	DATE	11/10/99

SD7575-46