

MITSUBISHI MICROCOMPUTERS M37902FCMHP, M37902FGMHP

SINGLE-CHIP 16-BIT CMOS MICROCOMPUTER

DESCRIPTION

These are single-chip microcomputers designed with high-performance CMOS silicon gate technology, including the internal flash memory. These microcomputers support the 7900 Series instruction set, which are enhanced and expanded instruction set and are up-per-compatible with the 7700/7751 Series instruction set.

The CPU of these microcomputers is a 16-bit parallel processor that can also be switched to perform 8-bit parallel processing. Also, the bus interface unit of these microcomputers enhances the memory access efficiency to execute instructions fast. Therefore, these microcomputers are suitable for office, business, and industrial equipment controller that require high-speed processing of large data.

For the internal flash memory, single-power-supply programming and erasure, using a PROM programmer or the control by the central processing unit (CPU), is supported. Also, each of these microcomputers has the memory area dedicated for storing a certain software which controls programming and erasure (reprogramming control software). Therefore, on these microcomputers, the program can easily be changed even after they are mounted on the board.

APPLICATION

Control devices for personal computer peripheral equipment such as CD-ROM drives, DVD-ROM drives, hard disk drives, high density FDD, printers

DISTINCTIVE FEATURES

<Microcomputer mode>

- Number of basic machine instructions 203
- Memory
 - [M37902FCMHP]
 - Flash memory (User ROM area) 120 Kbytes
 - RAM 4096 bytes
 - [M37902FGMHP]
 - Flash memory (User ROM area) 248 Kbytes
 - RAM 6144 bytes
 - [All of the above computers]
 - Flash memory (Boot ROM area) 16 Kbytes
- Instruction execution time
 - The fastest instruction at 20 MHz frequency 50 ns
- Single power supply 3.3 V \pm 0.3 V
- Interrupts 6 external sources, 16 internal sources, 7 levels
- Multi-functional 16-bit timer 5 + 3
- Serial I/O (UART or Clock synchronous) 2
- 10-bit A-D converter 8-channel inputs
- 8-bit D-A converter 3-channel outputs
- Real-time output
 - 4 bits \times 2 channels, or 6 bits \times 1 channel + 2 bits \times 1 channel
- 12-bit watchdog timer
- Programmable input/output (ports P0–P8, P10, P11) 84

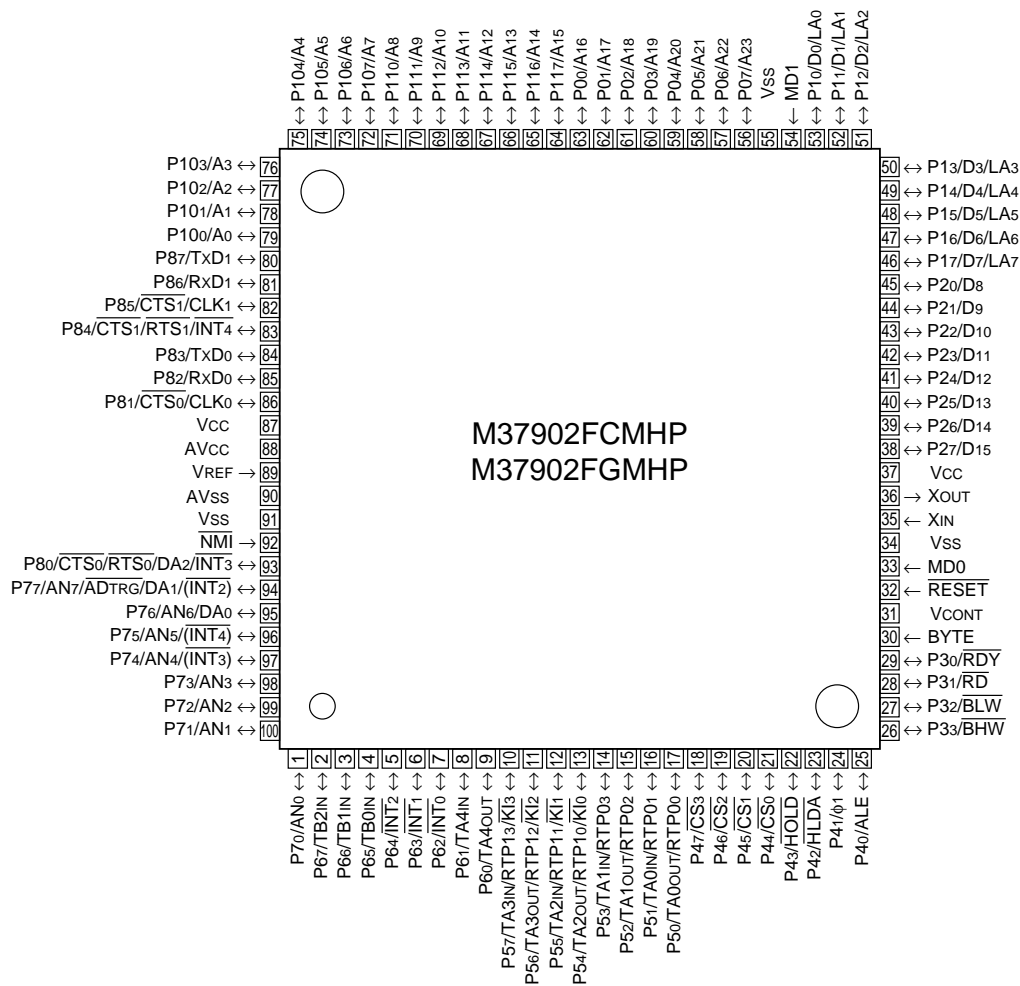
<Flash memory mode>

- Power supply voltage 3.3 V \pm 0.3 V
- Programming/Erase voltage 3.3 V \pm 0.3 V
- Programming method Programming in a unit of 256 bytes
- Erase method Block erase or Total erase
(Data protection per block is enabled.)
- Programming/Erase control by software command
- Maximum number of reprograms 100

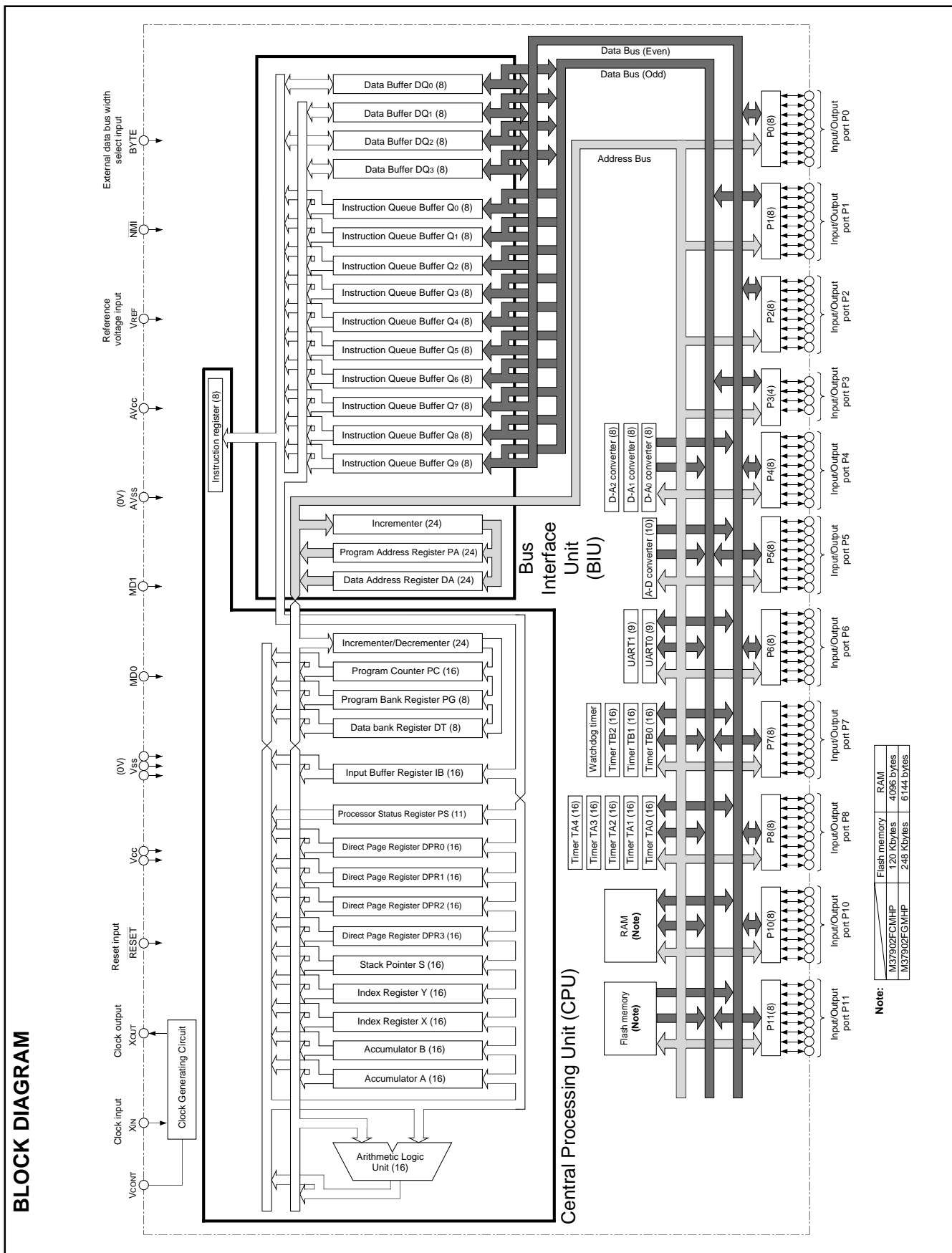
MITSUBISHI MICROCOMPUTERS
M37902FCMHP, M37902FGMHP

SINGLE-CHIP 16-BIT CMOS MICROCOMPUTER

M37902FxMHP PIN CONFIGURATION (TOP VIEW)



Outline 100P6Q-A



MITSUBISHI MICROCOMPUTERS
M37902FCMHP, M37902FGMHP

SINGLE-CHIP 16-BIT CMOS MICROCOMPUTER

FUNCTIONS (Microcomputer mode)

Parameter		Functions
Number of basic machine instructions		203
Instruction execution time		50 ns (the fastest instruction at $f(f_{sys}) = 20$ MHz)
External clock input frequency $f(XIN)$		20 MHz (Max.)
System clock frequency f_{sys}		20 MHz (Max.)
Memory size	Flash memory (User ROM area)	(Note)
	RAM	(Note)
	Flash memory (Boot ROM area)	16 Kbytes
Programmable input/output ports	P0–P2, P4–P8, P10, P11	8-bit X 10
	P3	4-bit X 1
Multi-functional timers	TA0–TA4	16-bit X 5
	TB0–TB2	16-bit X 3
Serial I/O	UART0 and UART1	(UART or Clock synchronous serial I/O) X 2
A-D converter		10-bit successive approximation method X 1 (8 channels)
D-A converter		8-bit X 3
Watchdog timer		12-bit X 1
Chip-select wait control		Chip select area X 4 (\overline{CS}_0 – \overline{CS}_3). A bus cycle type and bus width can be set for each chip select area.
Real-time output		4 bits X 2 channels; or 6 bits X 1 channel + 2 bits X 1 channel
Interrupts	Maskable interrupts	5 external types, 13 internal types. Each interrupt can be set to a priority level within the range of 0–7 by software.
	Non-maskable interrupts	1 external type, 3 internal types.
Clock generating circuit		Built-in (externally connected to a ceramic resonator or quartz crystal resonator).
PLL frequency multiplier		The following multiplication methods are available: double, triple, and quadruple.
Power supply voltage		3.3 V \pm 0.3 V
Power dissipation		39.6 mW (at $f(f_{sys}) = 20$ MHz, Typ., PLL frequency multiplier stopped)
Ports' input/output characteristics	Input/Output withstand voltage	3.3 V
	Output current	5 mA
Memory expansion		Up to 16 Mbytes. Note that bank FF16 is a reserved area.
Operating ambient temperature range		–20 to 85 °C
Device structure		CMOS high-performance silicon gate process
Package		100-pin plastic molded QFP

Note:

Flash memory (User ROM area)	M37902FCMHP	120 Kbytes
	M37902FGMHP	248 Kbytes
RAM	M37902FCMHP	4096 bytes
	M37902FGMHP	6144 bytes

FUNCTIONS (Flash memory mode)

Parameter		Functions
Power supply voltage		3.3 V±0.3 V
Programming/Erase voltage		3.3 V±0.3 V
Flash memory mode		3 modes: parallel I/O, serial I/O, and CPU reprogramming modes
Block division for erasure	User ROM area	(Note 1)
	Boot ROM area	1 block (16 Kbytes X 1) (Note 2)
Programming method	Programmed per page (in a unit of 256 Kbytes)	
	Flash memory parallel I/O mode	User ROM area + Boot ROM area
	Flash memory serial I/O mode	User ROM area
	Flash memory CPU reprogramming mode	User ROM area
Erase method	Total erase/Block erase	
	Flash memory parallel I/O mode	User ROM area + Boot ROM area
	Flash memory serial I/O mode	User ROM area
	Flash memory CPU reprogramming mode	User ROM area
Programming/Erase control		Programming/Erase control by software commands
Data protection method		Protected per block, by using a lock bit.
Number of commands		8 commands
Maximum number of reprograms		100

Notes 1:

User ROM area	M37902FCMHP	5 blocks (8 Kbytes X 3, 32 Kbytes X 1, 64 Kbytes X 1), total 120 Kbytes
	M37902FGMHP	7 blocks (8 Kbytes X 3, 32 Kbytes X 1, 64 Kbytes X 3), total 248 Kbytes

2: On shipment, our reprogramming control firmware for the flash memory serial I/O mode has been stored into the boot ROM area. Note that the boot ROM area can be erased/programmed only in the flash memory parallel I/O mode.

mitsubishi microcomputers
M37902FCMHP, M37902FGMHP

SINGLE-CHIP 16-BIT CMOS MICROCOMPUTER

PIN DESCRIPTION (MICROCOMPUTER MODE)

Pin	Name	Input/ Output	Functions
Vcc, Vss	Power supply input	—	Apply 3.3 V±0.3 V to Vcc, and 0 V to Vss.
MD0	MD0	Input	This pin controls the processor mode. Connect this pin to Vss for the single-chip mode or memory expansion mode, and Vcc for the microprocessor mode.
MD1	MD1	Input	Connect this pin to Vss.
$\overline{\text{RESET}}$	Reset input	Input	The microcomputer is reset when "L" level is applied to this pin.
XIN	Clock input	Input	These are input and output pins of the internal clock generating circuit. Connect a ceramic or quartz- crystal resonator between the XIN and XOUT pins. When an external clock is used, the clock source should be connected to the XIN pin, and the XOUT pin should be left open.
XOUT	Clock output	Output	
BYTE	External data bus width select input	Input	This pin determines whether the external data bus has an 8-bit width or 16-bit width for the memory expansion mode or microprocessor mode. The width is 16 bits when "L" signal is input, and 8 bits when "H" signal is input. When BYTE = Vss level, by the register setting, the external data bus for each of areas $\overline{\text{CS}}_1$ to $\overline{\text{CS}}_3$ can have a width of 8 bits.
VCONT	Filter circuit connection	—	When using the PLL frequency multiplier, connect this pin to the filter circuit. When not using, this pin should be left open.
AVcc, AVss	Analog power supply input	—	Power supply input pins for the A-D converter and the D-A converter. Connect AVcc to Vcc, and AVss to Vss externally.
VREF	Reference voltage input	Input	This is the reference voltage input pin for the A-D converter and the D-A converter.
P00–P07	I/O port P0	I/O	<ul style="list-style-type: none"> ■ In single-chip mode Port P0 is an 8-bit I/O port. This port has an I/O direction register, and each pin can be programmed for input or output. These pins enter the input mode at reset. ■ In memory expansion and microprocessor modes Address (A16–A23) is output. These pins also function as I/O port pins according to the register setting.
P10–P17	I/O port P1	I/O	<ul style="list-style-type: none"> ■ In single-chip mode These pins have the same functions as port P0. ■ In memory expansion and microprocessor modes The low-order 8 bits of data (D0–D7) are input/output. When the external data bus has an 8-bit width, address (LA0–LA7) output and data (D0–D7) input/output can be performed with the time-sharing method, according to the register setting.
P20–P27	I/O port P2	I/O	<ul style="list-style-type: none"> ■ In single-chip mode or When 8-bit external data bus is used in memory expansion mode and microprocessor mode These pins have the same functions as port P0. ■ When the 16-bit external data bus is used in memory expansion or microprocessor mode The high-order 8 bits of data (D8–D15) are input or output.
P30–P33	I/O port P3	I/O	<ul style="list-style-type: none"> ■ In single-chip mode These pins have the same functions as port P0. ■ In memory expansion mode P30 functions as an I/O port pin; and P31, P32, and P33 function as the output pins of RD, BLW, BHW, respectively. P30 also functions as an output pin of RDY according to the register setting. When the external data bus has a width of 8 bits, the BHW pin functions as an I/O port pin (P33). ■ In microprocessor mode P30 functions as an input pin of $\overline{\text{RDY}}$; and P31, P32, P33 function as the output pins of RD, BLW, BHW, respectively. P30 also functions as an I/O port pin according to the register setting. When the external data bus has a width of 8 bits, the BHW pin functions as an I/O port pin (P33).
P40–P47	I/O port P4	I/O	<ul style="list-style-type: none"> ■ In single-chip mode These pins have the same functions as port P0. ■ In memory expansion mode P40–P47 function as I/O port pins. According to the register setting, these pins function as output pins or input pins of ALE, ϕ_1, HLDA, HOLD, $\overline{\text{CS}}_0$–$\overline{\text{CS}}_3$, respectively. ■ In microprocessor mode P40–P44 function as output or input pins of ALE, ϕ_1, HLDA, HOLD, $\overline{\text{CS}}_0$, and P45–P47 as I/O port pins, respectively. According to the register setting, P40–P43 also function as I/O port pins, and P45–P47 as output pins of $\overline{\text{CS}}_1$–$\overline{\text{CS}}_3$.

MITSUBISHI MICROCOMPUTERS
M37902FCMHP, M37902FGMHP

SINGLE-CHIP 16-BIT CMOS MICROCOMPUTER

Pin	Name	Input/ Output	Functions
P50–P57	I/O port P5	I/O	In addition to having the same functions as port P0 in the single-chip mode, these pins also function as I/O pins for timers A0–A3, output pins for the real-time output, and input pins for the key-input interrupt.
P60–P67	I/O port P6	I/O	In addition to having the same functions as port P0 in the single-chip mode, these pins also function as I/O pins for timer A4, input pins for external interrupt inputs $\overline{INT0}$ – $\overline{INT2}$, and input pins for timers B0–B2.
P70–P77	I/O port P7	I/O	In addition to having the same functions as port P0 in the single-chip mode, these pins also function as input pins for the A-D converter, output pins for the D-A converter, and input pins for $\overline{INT2}$, $\overline{INT3}$, and $\overline{INT4}$.
P80–P87	I/O port P8	I/O	In addition to having the same functions as port P0 in the single-chip mode, these pins also function as I/O pins for $\overline{UART0}$, $\overline{UART1}$, output pins for D-A converter, and input pins for $\overline{INT3}$ and $\overline{INT4}$.
P100–P107	I/O port P10	I/O	<ul style="list-style-type: none"> ■ In single-chip mode These pins have the same functions as port P0. ■ In memory expansion and microprocessor modes Address (A0–A7) is output.
P110–P117	I/O port P11	I/O	<ul style="list-style-type: none"> ■ In single-chip mode These pins have the same functions as port P0. ■ In memory expansion and microprocessor modes Address (A8–A15) is output. Also, these pins function as I/O port pins according to the register setting.
\overline{NMI}	Non-maskable interrupt	Input	This pin is for a non-maskable interrupt.

MITSUBISHI MICROCOMPUTERS
M37902FCMHP, M37902FGMHP

SINGLE-CHIP 16-BIT CMOS MICROCOMPUTER

PIN DESCRIPTION (FLASH MEMORY SERIAL I/O MODE)

Pin	Name	Input /Output	Functions
Vcc, Vss	Power supply input	—	Apply 3.3 V \pm 0.3 V to Vcc, and 0 V to Vss.
MD0	MD0	Input	Connect this pin to Vss.
MD1	MD1	Input	Connect this pin to Vss via a resistor of 10 k Ω to 100 k Ω .
RESET	Reset input	Input	The reset input pin.
XIN	Clock input	Input	Connect a ceramic resonator between the XIN and XOUT pins, or input an external clock from the XIN pin with the XOUT pin left open.
XOUT	Clock output	Output	
BYTE	BYTE	Input	Connect this pin to Vcc or Vss. (This is not used in the flash memory serial I/O mode.)
VCONT	Filter circuit connection	—	Connect this pin to the filter circuit, or leave this pin open. (This is not used in the flash memory serial I/O mode.)
AVcc, AVss	Analog supply input	—	Connect AVcc to Vcc, and AVss to Vss.
VREF	Reference voltage input	Input	Input an arbitrary level within the range of Vss–Vcc. (This is not used in the flash memory serial I/O mode.)
P00–P07	Input port P0	Input	Input “H” or “L”, or leave them open. (This is not used in the flash memory serial I/O mode.)
P10–P17	Input port P1	Input	Input “H” or “L”, or leave them open. (This is not used in the flash memory serial I/O mode.)
P20–P27	Input port P2	Input	Input “H” or “L”, or leave them open. (This is not used in the flash memory serial I/O mode.)
P30–P33	Input port P3	Input	Input “H” or “L”, or leave them open. (This is not used in the flash memory serial I/O mode.)
P40, P44– P47	Input port P4	Input	Input “H” or “L”, or leave them open. (This is not used in the flash memory serial I/O mode.)
P41	SCLK input	Input	This is an input pin for a serial clock.
P42	SDA I/O	I/O	This is an I/O pin for serial data. Connect this pin to Vcc via a resistor (about 1 k Ω).
P43	BUSY output	Output	This is an output pin for the BUSY signal.
P50–P57	Input port P5	Input	Input “H” or “L”, or leave them open. (This is not used in the flash memory serial I/O mode.)
P60–P67	Input port P6	Input	Input “H” or “L”, or leave them open. (This is not used in the flash memory serial I/O mode.)
P70–P77	Input port P7	Input	Input “H” or “L”, or leave them open. (This is not used in the flash memory serial I/O mode.)
P80–P87	Input port P8	Input	Input “H” or “L”, or leave them open. (This is not used in the flash memory serial I/O mode.)
P100–P107	Input port P10	Input	Input “H” or “L”, or leave them open. (This is not used in the flash memory serial I/O mode.)
P110–P117	Input port P11	Input	Input “H” or “L”, or leave them open. (This is not used in the flash memory serial I/O mode.)
NMI	Non-maskable interrupt	Input	Input “H”, or leave this pin open.

BASIC FUNCTION BLOCKS

These microcomputers have the same functions as the M37902FCCHP.

Therefore, refer to the datasheet of the M37902FCCHP.

MEMORY

Figures 1 and 2 show the memory maps. The address space is 16 Mbytes from address 016 to FFFFFFF16. The address space is divided into 64-Kbyte units called banks. The banks are numbered from 016 to FF16. Bank FF16 is a reserved area for the development support tool. Therefore, do not use bank FF16.

Internal flash memory and internal RAM are assigned as shown in Figures 1 and 2.

Addresses FFC016 to FFFF16 contain the RESET and the interrupt vector addresses, and the interrupt vectors are stored there.

For details, refer to the section on interrupts.

Assigned to addresses 016 to FF16 are peripheral devices such as I/O ports, A-D converter, D-A converter, UART, timers, interrupt control registers, etc. Figures 7 and 8 show the location of SFRs. For the flash memory in the boot ROM area, refer to the section on the flash memory mode.

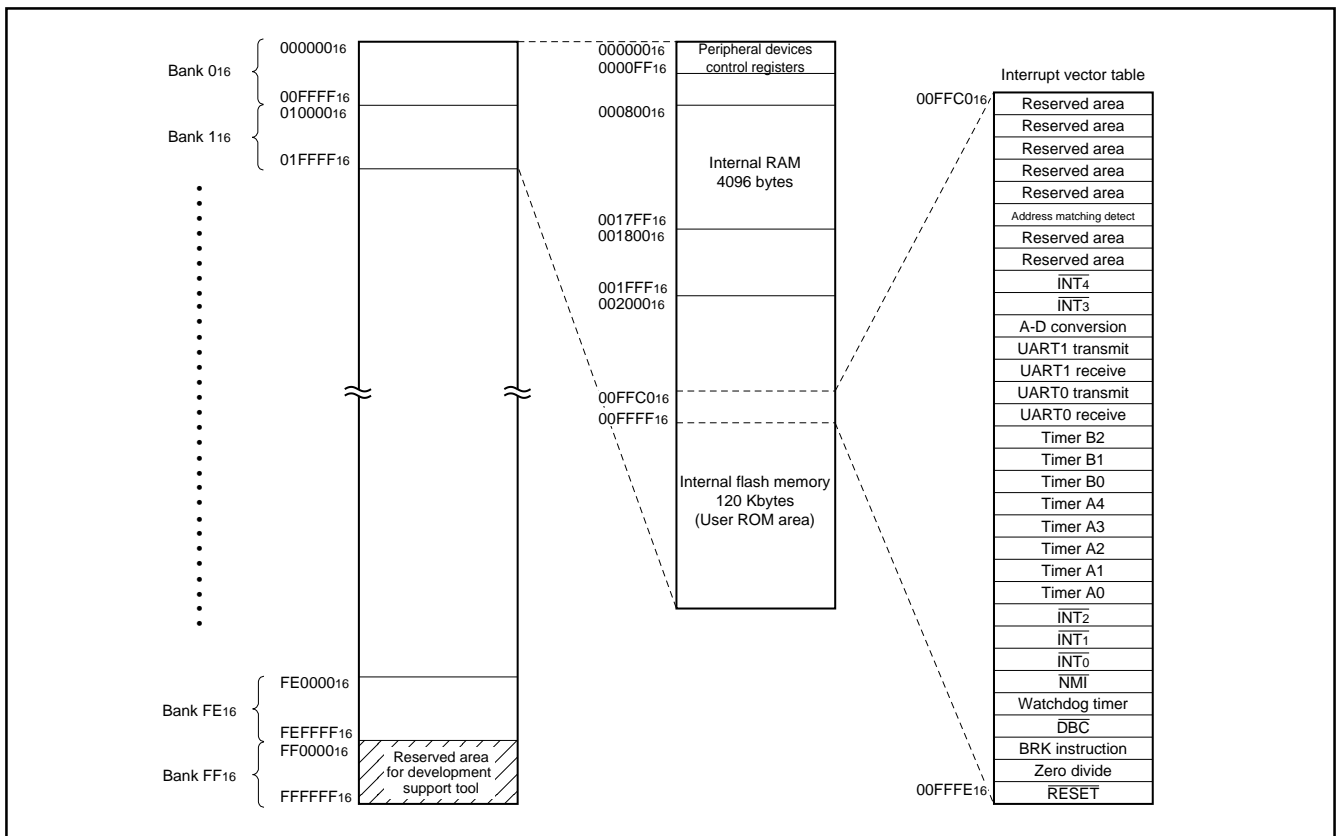


Fig. 1 Memory map of M37902FCMHP (Single-chip mode)

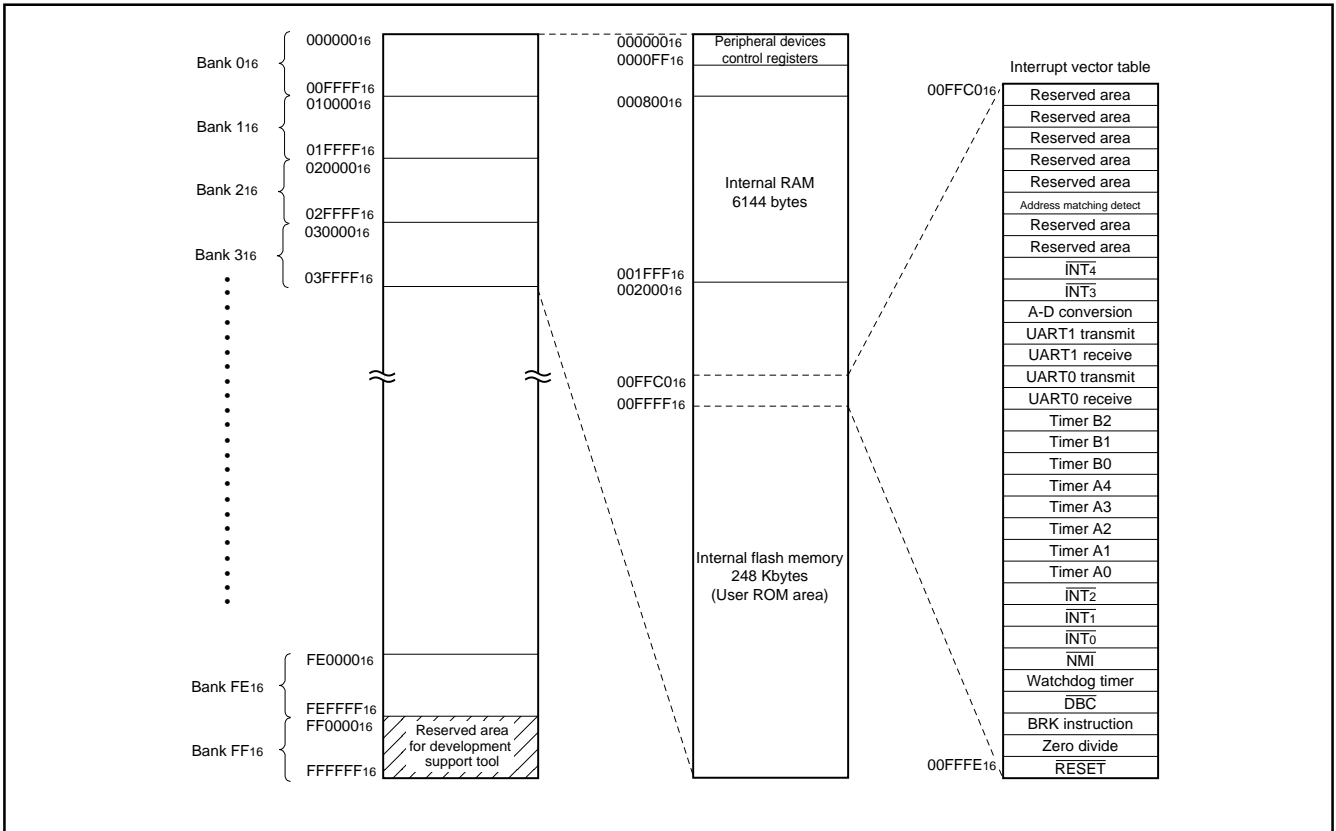


Fig. 2 Memory map of M37902FGMHP (Single-chip mode)

Address (Hexadecimal notation)		Address (Hexadecimal notation)	
000000 ¹⁶	Reserved area (Note)	000040 ¹⁶	Count start register
000001 ¹⁶	Reserved area (Note)	000041 ¹⁶	
000002 ¹⁶	Port P0 register	000042 ¹⁶	One-shot start register
000003 ¹⁶	Port P1 register	000043 ¹⁶	
000004 ¹⁶	Port P0 direction register	000044 ¹⁶	Up-down register
000005 ¹⁶	Port P1 direction register	000045 ¹⁶	Timer A clock division select register
000006 ¹⁶	Port P2 register	000046 ¹⁶	
000007 ¹⁶	Port P3 register	000047 ¹⁶	Timer A0 register
000008 ¹⁶	Port P2 direction register	000048 ¹⁶	
000009 ¹⁶	Port P3 direction register	000049 ¹⁶	Timer A1 register
00000A ¹⁶	Port P4 register	00004A ¹⁶	
00000B ¹⁶	Port P5 register	00004B ¹⁶	Timer A2 register
00000C ¹⁶	Port P4 direction register	00004C ¹⁶	
00000D ¹⁶	Port P5 direction register	00004D ¹⁶	Timer A3 register
00000E ¹⁶	Port P6 register	00004E ¹⁶	
00000F ¹⁶	Port P7 register	00004F ¹⁶	Timer A4 register
000010 ¹⁶	Port P6 direction register	000050 ¹⁶	
000011 ¹⁶	Port P7 direction register	000051 ¹⁶	Timer B0 register
000012 ¹⁶	Port P8 register	000052 ¹⁶	
000013 ¹⁶		000053 ¹⁶	Timer B1 register
000014 ¹⁶	Port P8 direction register	000054 ¹⁶	
000015 ¹⁶		000055 ¹⁶	Timer B2 register
000016 ¹⁶	Port P10 register	000056 ¹⁶	Timer A0 mode register
000017 ¹⁶	Port P11 register	000057 ¹⁶	Timer A1 mode register
000018 ¹⁶	Port P10 direction register	000058 ¹⁶	Timer A2 mode register
000019 ¹⁶	Port P11 direction register	000059 ¹⁶	Timer A3 mode register
00001A ¹⁶		00005A ¹⁶	Timer A4 mode register
00001B ¹⁶		00005B ¹⁶	Timer B0 mode register
00001C ¹⁶		00005C ¹⁶	Timer B1 mode register
00001D ¹⁶		00005D ¹⁶	Timer B2 mode register
00001E ¹⁶	A-D control register 0	00005E ¹⁶	Processor mode register 0
00001F ¹⁶	A-D control register 1	00005F ¹⁶	Processor mode register 1
000020 ¹⁶	A-D register 0	000060 ¹⁶	Watchdog timer register
000021 ¹⁶		000061 ¹⁶	Watchdog timer frequency select register
000022 ¹⁶	A-D register 1	000062 ¹⁶	Particular function select register 0
000023 ¹⁶		000063 ¹⁶	Particular function select register 1
000024 ¹⁶	A-D register 2	000064 ¹⁶	Particular function select register 2
000025 ¹⁶		000065 ¹⁶	Reserved area (Note)
000026 ¹⁶	A-D register 3	000066 ¹⁶	Debug control register 0
000027 ¹⁶		000067 ¹⁶	Debug control register 1
000028 ¹⁶	A-D register 4	000068 ¹⁶	
000029 ¹⁶		000069 ¹⁶	Address comparison register 0
00002A ¹⁶	A-D register 5	00006A ¹⁶	
00002B ¹⁶		00006B ¹⁶	
00002C ¹⁶	A-D register 6	00006C ¹⁶	Address comparison register 1
00002D ¹⁶		00006D ¹⁶	
00002E ¹⁶	A-D register 7	00006E ¹⁶	INT ₃ interrupt control register
00002F ¹⁶		00006F ¹⁶	INT ₄ interrupt control register
000030 ¹⁶	UART0 transmit/receive mode register	000070 ¹⁶	A-D conversion interrupt control register
000031 ¹⁶	UART0 baud rate register (BRG0)	000071 ¹⁶	UART0 transmit interrupt control register
000032 ¹⁶	UART0 transmit buffer register	000072 ¹⁶	UART0 receive interrupt control register
000033 ¹⁶		000073 ¹⁶	UART1 transmit interrupt control register
000034 ¹⁶	UART0 transmit/receive control register 0	000074 ¹⁶	UART1 receive interrupt control register
000035 ¹⁶	UART0 transmit/receive control register 1	000075 ¹⁶	Timer A0 interrupt control register
000036 ¹⁶	UART0 receive buffer register	000076 ¹⁶	Timer A1 interrupt control register
000037 ¹⁶		000077 ¹⁶	Timer A2 interrupt control register
000038 ¹⁶	UART1 transmit/receive mode register	000078 ¹⁶	Timer A3 interrupt control register
000039 ¹⁶	UART1 baud rate register (BRG1)	000079 ¹⁶	Timer A4 interrupt control register
00003A ¹⁶	UART1 transmit buffer register	00007A ¹⁶	Timer B0 interrupt control register
00003B ¹⁶		00007B ¹⁶	Timer B1 interrupt control register
00003C ¹⁶	UART1 transmit/receive control register 0	00007C ¹⁶	Timer B2 interrupt control register
00003D ¹⁶	UART1 transmit/receive control register 1	00007D ¹⁶	INT ₀ interrupt control register
00003E ¹⁶	UART1 receive buffer register	00007E ¹⁶	INT ₁ interrupt control register
00003F ¹⁶		00007F ¹⁶	INT ₂ interrupt control register

Note: Do not write to this address.

Fig. 7 Location of SFRs (1)

Address (Hexadecimal notation)		Address (Hexadecimal notation)	
000080 ₁₆	\overline{CS}_0 control register L	0000C0 ₁₆	
000081 ₁₆	\overline{CS}_0 control register H	0000C1 ₁₆	
000082 ₁₆	\overline{CS}_1 control register L	0000C2 ₁₆	
000083 ₁₆	\overline{CS}_1 control register H	0000C3 ₁₆	
000084 ₁₆	\overline{CS}_2 control register L	0000C4 ₁₆	
000085 ₁₆	\overline{CS}_2 control register H	0000C5 ₁₆	
000086 ₁₆	\overline{CS}_3 control register L	0000C6 ₁₆	
000087 ₁₆	\overline{CS}_3 control register H	0000C7 ₁₆	
000088 ₁₆		0000C8 ₁₆	
000089 ₁₆		0000C9 ₁₆	
00008A ₁₆	Area \overline{CS}_0 start address register	0000CA ₁₆	
00008B ₁₆		0000CB ₁₆	
00008C ₁₆	Area \overline{CS}_1 start address register	0000CC ₁₆	
00008D ₁₆		0000CD ₁₆	
00008E ₁₆	Area \overline{CS}_2 start address register	0000CE ₁₆	
00008F ₁₆		0000CF ₁₆	
000090 ₁₆	Area \overline{CS}_3 start address register	0000D0 ₁₆	
000091 ₁₆		0000D1 ₁₆	
000092 ₁₆	Port function control register	0000D2 ₁₆	
000093 ₁₆		0000D3 ₁₆	
000094 ₁₆	External interrupt input control register	0000D4 ₁₆	
000095 ₁₆	External interrupt input read-out register	0000D5 ₁₆	
000096 ₁₆	D-A control register	0000D6 ₁₆	
000097 ₁₆		0000D7 ₁₆	
000098 ₁₆	D-A register 0	0000D8 ₁₆	
000099 ₁₆	D-A register 1	0000D9 ₁₆	
00009A ₁₆	D-A register 2	0000DA ₁₆	
00009B ₁₆		0000DB ₁₆	
00009C ₁₆	Reserved area (Note)	0000DC ₁₆	
00009D ₁₆	Reserved area (Note)	0000DD ₁₆	
00009E ₁₆	Flash memory control register	0000DE ₁₆	
00009F ₁₆		0000DF ₁₆	
0000A0 ₁₆	Real-time output control register	0000E0 ₁₆	
0000A1 ₁₆		0000E1 ₁₆	
0000A2 ₁₆	Pulse output data register 0	0000E2 ₁₆	
0000A3 ₁₆		0000E3 ₁₆	
0000A4 ₁₆	Pulse output data register 1	0000E4 ₁₆	
0000A5 ₁₆		0000E5 ₁₆	
0000A6 ₁₆		0000E6 ₁₆	
0000A7 ₁₆		0000E7 ₁₆	
0000A8 ₁₆		0000E8 ₁₆	
0000A9 ₁₆		0000E9 ₁₆	
0000AA ₁₆		0000EA ₁₆	
0000AB ₁₆		0000EB ₁₆	
0000AC ₁₆	Serial I/O pin control register	0000EC ₁₆	
0000AD ₁₆		0000ED ₁₆	
0000AE ₁₆		0000EE ₁₆	
0000AF ₁₆		0000EF ₁₆	
0000B0 ₁₆		0000F0 ₁₆	
0000B1 ₁₆		0000F1 ₁₆	
0000B2 ₁₆		0000F2 ₁₆	
0000B3 ₁₆		0000F3 ₁₆	
0000B4 ₁₆		0000F4 ₁₆	
0000B5 ₁₆		0000F5 ₁₆	
0000B6 ₁₆		0000F6 ₁₆	
0000B7 ₁₆		0000F7 ₁₆	
0000B8 ₁₆		0000F8 ₁₆	
0000B9 ₁₆		0000F9 ₁₆	
0000BA ₁₆	Reserved area (Note)	0000FA ₁₆	
0000BB ₁₆	Reserved area (Note)	0000FB ₁₆	
0000BC ₁₆	Clock control register	0000FC ₁₆	
0000BD ₁₆	Reserved area (Note)	0000FD ₁₆	
0000BE ₁₆	Reserved area (Note)	0000FE ₁₆	
0000BF ₁₆	Reserved area (Note)	0000FF ₁₆	

Note: Do not write to this address.

Fig. 8 Location of SFRs (2)

FLASH MEMORY MODE

These microcomputers contain the DINOR (Divided bit line NOR)-type flash memory; and single-power-supply reprogramming is available to this. These microcomputers have the following three modes, enabling reading/programming/erasure for the flash memory:

- Flash memory parallel I/O mode and Flash memory serial I/O mode, where the flash memory is handled by using an external programmer.
- CPU reprogramming mode, where the flash memory is handled by the central processing unit (CPU).

For each modes, refer to the datasheet M37902FCCHP.

Figures 9 and 10 shows the block configuration of the internal flash memory of each microcomputer.

These microcomputers have the same functions as the M37902FCCHP except for the following:

- (1) Power supply voltage (3.3 V ± 0.3 V)
- (2) Electrical characteristics

Therefore, for the flash memory mode except for the above, refer to the datasheet M37902FCCHP.

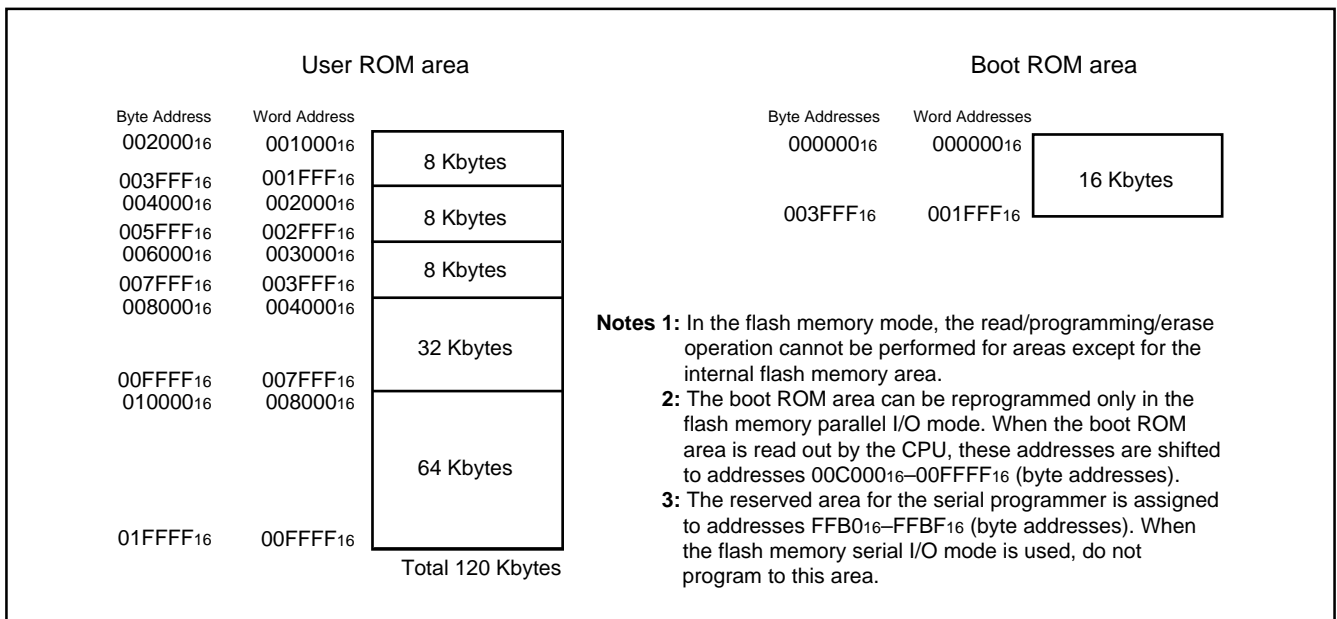


Fig 9. M37902FCMHP: block configuration of internal flash memory

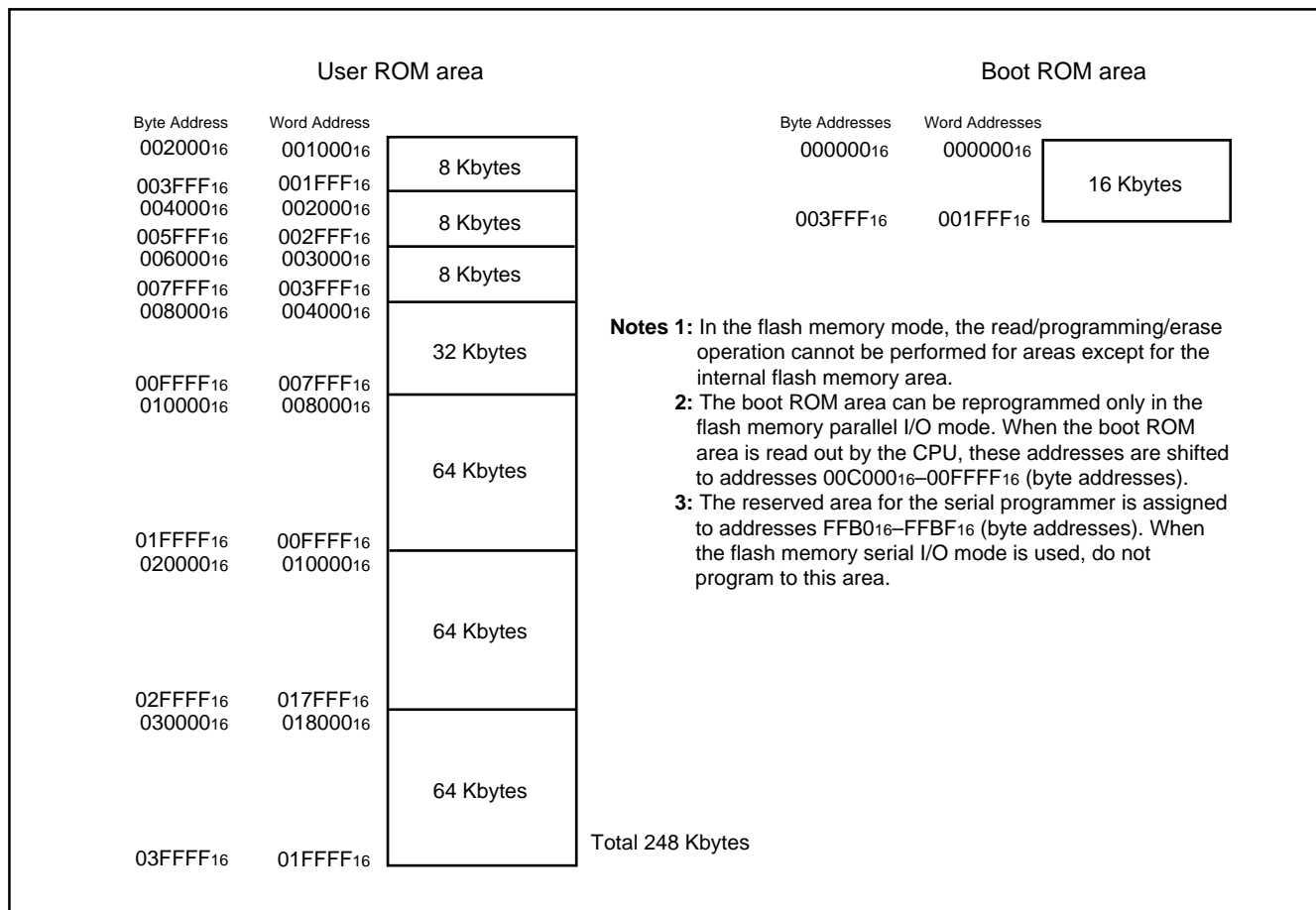


Fig 10. M37902FGMHP: block configuration of internal flash memory

DC Electrical Characteristics (VCC = 3.3 V ± 0.3 V, Ta = 0 to 60 °C, f(fs_{sys}) = 20 MHz (Note))

Symbol	Parameter	Limits			Unit
		Min.	Typ.	Max.	
I _{cc1}	VCC power source current (at read)		19	40	mA
I _{cc2}	VCC power source current (at write)			40	mA
I _{cc3}	VCC power source current (at programming)			48	mA
I _{cc4}	VCC power source current (at erasing)			48	mA

Limits of V_{IH}, V_{IL}, V_{OH}, V_{OL}, I_{IH}, and I_{IL} for each pin are the same as those in the microcomputer mode.

Note: f(fs_{sys}) indicates the system clock (fs_{sys}) frequency.

AC Electrical Characteristics (VCC = 3.3 V ± 0.3 V, Ta = 0 to 60 °C, f(fs_{sys}) = 20 MHz (Note))

Parameter	Limits			Unit
	Min.	Typ.	Max.	
Page programming time		8	120	ms
Block erase time		50	600	ms
Erase all unlocked block time		50 X n	600 X n	ms
Lock bit programming time		8	120	ms

n = Number of blocks to be erased

The limits of parameters other than the above are same as those in the microcomputer mode.

Note: f(fs_{sys}) indicates the system clock (fs_{sys}) frequency.

mitsubishi MICROCOMPUTERS
M37902FCMHP, M37902FGMHP

SINGLE-CHIP 16-BIT CMOS MICROCOMPUTER

ABSOLUTE MAXIMUM RATINGS

Symbol	Parameter	Ratings	Unit
V _{CC}	Power source voltage	-0.3 to 4.6	V
AV _{CC}	Analog power source voltage	-0.3 to 4.6	V
V _I	Input voltage P00-P07, P10-P17, P20-P27, P30-P33, P40-P47, P50-P57, P60-P67, P70-P77, P80-P87, P100-P107, P110-P117, VREF, XIN, RESET, BYTE, MD0, MD1, NMI, VCONT	-0.3 to V _{CC} +0.3	V
V _O	Output voltage P00-P07, P10-P17, P20-P27, P30-P33, P40-P47, P50-P57, P60-P67, P70-P77, P80-P87, P100-P107, P110-P117, XOUT	-0.3 to V _{CC} +0.3	V
P _d	Power dissipation	400	mW
T _{opr}	Operating ambient temperature	-20 to 85	°C
T _{stg}	Storage temperature	-40 to 150	°C

RECOMMENDED OPERATING CONDITIONS (V_{CC} = 3.3 V, T_a = -20 to 85 °C, unless otherwise noted)

Symbol	Parameter	Limits			Unit
		Min.	Typ.	Max.	
V _{CC}	Power source voltage	3.0	3.3	3.6	V
AV _{CC}	Analog power source voltage		V _{CC}		V
V _{SS}	Power source voltage		0		V
AV _{SS}	Analog power source voltage		0		V
V _{IH}	High-level input voltage XIN, RESET, BYTE, MD0, MD1	0.8 V _{CC}		V _{CC}	V
V _{IH}	High-level input voltage P10-P17, P20-P27, P30-P33, P40-P47, P50-P57, P60-P67, P70-P77, P80-P87, P100-P107, P110-P117	0.7 V _{CC}		V _{CC}	V
V _{IH}	High-level input voltage P00-P07 (When the port P0 input level select bit = "0")	0.7 V _{CC}		V _{CC}	V
V _{IH}	High-level input voltage P00-P07 (When the port P0 input level select bit = "1")	0.5 V _{CC}		V _{CC}	V
V _{IH}	High-level input voltage D0-D7, D8-D15	0.5 V _{CC}		V _{CC}	V
V _{IH}	High-level input voltage RDY, HOLD, TA0IN-TA4IN, TA0OUT-TA4OUT, TB0IN-TB2IN, KI0-KI3, INT0-INT4, NMI, ADTRG, CTS0, CTS1, CLK0, CLK1, RxD0, RxD1	0.5 V _{CC}		V _{CC}	V
V _{IH}	High-level input voltage SCLK, SDA (Note 1)	0.5 V _{CC}		V _{CC}	V
V _{IL}	Low-level input voltage XIN, RESET, BYTE, MD0, MD1	0		0.2 V _{CC}	V
V _{IL}	Low-level input voltage P10-P17, P20-P27, P30-P33, P40-P47, P50-P57, P60-P67, P70-P77, P80-P87, P100-P107, P110-P117	0		0.2 V _{CC}	V
V _{IL}	Low-level input voltage P00-P07 (When the port P0 input level select bit = "0")	0		0.2 V _{CC}	V
V _{IL}	Low-level input voltage P00-P07 (When the port P0 input level select bit = "1")	0		0.16 V _{CC}	V
V _{IL}	Low-level input voltage D0-D7, D8-D15	0		0.22 V _{CC}	V
V _{IL}	Low-level input voltage RDY, HOLD, TA0IN-TA4IN, TA0OUT-TA4OUT, TB0IN-TB2IN, KI0-KI3, INT0-INT4, NMI, ADTRG, CTS0, CTS1, CLK0, CLK1, RxD0, RxD1	0		0.16 V _{CC}	V
V _{IL}	Low-level input voltage SCLK, SDA (Note 1)	0		0.16 V _{CC}	V
I _{OH(peak)}	High-level peak output current P00-P07, P10-P17, P20-P27, P30-P33, P40-P47, P50-P57, P60-P67, P70-P77, P80-P87, P100-P107, P110-P117			-10	mA
I _{OH(avg)}	High-level average output current P00-P07, P10-P17, P20-P27, P30-P33, P40-P47, P50-P57, P60-P67, P70-P77, P80-P87, P100-P107, P110-P117			-5	mA
I _{OL(peak)}	Low-level peak output current P00-P07, P10-P17, P20-P27, P30-P33, P40-P47, P50-P57, P60-P67, P70-P77, P80-P87, P100-P107, P110-P117			10	mA
I _{OL(avg)}	Low-level average output current P00-P07, P10-P17, P20-P27, P30-P33, P40-P47, P50-P57, P60-P67, P70-P77, P80-P87, P100-P107, P110-P117			5	mA
f(XIN)	External clock input frequency (Note 2)			20	MHz
f(fs _{ys})	System clock frequency			20	MHz

Notes 1: Pins SCLK and SDA are used only in the flash memory serial I/O mode.

2: When using the PLL frequency multiplier, be sure that f(fs_{ys}) = 20 MHz or less.

3: Average output current is the average value of an interval of 100 ms.

4: The sum of I_{OL(peak)} for ports P0-P2, P8, P10, and P11 must be 80 mA or less, the sum of I_{OH(peak)} for ports P0-P2, P8, P10, and P11 must be 80 mA or less, the sum of I_{OL(peak)} for ports P3-P7 must be 80 mA or less, the sum of I_{OH(peak)} for ports P3-P7 must be 80 mA or less.

DC ELECTRICAL CHARACTERISTICS ($V_{CC} = 3.3\text{ V}$, $V_{SS} = 0\text{ V}$, $T_a = -20\text{ to }85\text{ }^\circ\text{C}$, $f(f_{\text{sys}}) = 20\text{ MHz}$ (Note))

Symbol	Parameter	Test conditions	Limits			Unit
			Min.	Typ.	Max.	
VOH	High-level output voltage P00–P07, P10–P17, P20–P27, P30, P40–P47, P50–P57, P60–P67, P70–P77, P80–P87, P100–P107, P110–P117	IOH = –1 mA	2.5			V
VOH	High-level output voltage P31–P33	IOH = –1 mA	2.6			V
VOL	Low-level output voltage P00–P07, P10–P17, P20–P27, P30, P40–P47, P50–P57, P60–P67, P70–P77, P80–P87, P100–P107, P110–P117	IOL = 1 mA			0.5	V
VOL	Low-level output voltage P31–P33	IOL = 1 mA			0.4	V
VT+ –VT–	Hysteresis $\overline{\text{RDY}}$, $\overline{\text{HOLD}}$, TA0IN–TA4IN, TA0OUT–TA4OUT, TB0IN–TB2IN, K10–K13, INT0–INT4, NMI, ADTRG, CTS0, CTS1, CLK0, CLK1, RxD0, RxD1		0.08		0.5	V
VT+ –VT–	Hysteresis $\overline{\text{RESET}}$		0.3		1	V
VT+ –VT–	Hysteresis XIN		0.05		0.26	V
IiH	High-level input current P00–P07, P10–P17, P20–P27, P30–P33, P40–P47, P50–P57, P60–P67, P70–P77, P80–P87, P100–P107, P110–P117, XIN, $\overline{\text{RESET}}$, BYTE, MD0, MD1, NMI	Vi = 3.3 V			4	V
IiL	Low-level input current P00–P07, P10–P17, P20–P27, P30–P33, P40–P43, P50–P53, P60–P67, P70–P77, P80–P87, P100–P107, P110–P117, XIN, $\overline{\text{RESET}}$, BYTE, MD0, MD1	Vi = 0 V			–4	μA
IiL	Low-level input current P44–P47, P54–P57, $\overline{\text{NMI}}$	Vi = 0 V, No pullup transistor			–4	μA
		Vi = 0 V, Pullup transistor used	–0.20	–0.36	–0.54	mA
VRAM	RAM hold voltage	When clock is stopped.	2			V
ICC	Power source current	Output-only pins are open, and the other pins are connected to Vss or Vcc. An external square-waveform clock is input. (Pin Xout is open.) The PLL frequency multiplier stops its operation.	$f(f_{\text{sys}}) = 20\text{ MHz}$. CPU operates.	12	24	mA
			Ta = 25 °C when clock is stopped.		1	μA
			Ta = 85 °C when clock is stopped.		20	

A-D CONVERTER CHARACTERISTICS

($V_{CC} = AV_{CC} = 3.3\text{ V} \pm 0.3\text{ V}$, $V_{SS} = AV_{SS} = 0\text{ V}$, $T_a = -20\text{ to }85\text{ }^\circ\text{C}$, unless otherwise noted)

Symbol	Parameter	Test conditions	Limits		Unit
			Min.	Max.	
—	Resolution	$V_{REF} = V_{CC}$		10	Bits
—	Absolute accuracy	$V_{REF} = V_{CC}$	10-bit resolution mode	± 3	LSB
			8-bit resolution mode	± 2	LSB
RLADDER	Ladder resistance	$V_{REF} = V_{CC}$	5		k Ω
t _{CONV}	Conversion time	$f(f_{sys}) \leq 20\text{ MHz}$	10-bit resolution mode	5.90	μs
			8-bit resolution mode	2.45 (Note)	
V _{REF}	Reference voltage		2.7	V_{CC}	V
V _{IA}	Analog input voltage		0	V _{REF}	V

Note: This is applied when A-D conversion frequency (ϕ_{AD}) = f_1 .

D-A CONVERTER CHARACTERISTICS

($V_{CC} = 3.3\text{ V}$, $V_{SS} = AV_{SS} = 0\text{ V}$, $V_{REF} = 3.3\text{ V}$, $T_a = -20\text{ to }85\text{ }^\circ\text{C}$, unless otherwise noted)

Symbol	Parameter	Test conditions	Limits			Unit
			Min.	Typ.	Max.	
—	Resolution				8	Bits
—	Absolute accuracy				± 1.0	%
t _{su}	Set time				3	μs
R _O	Output resistance		1	2.5	4	k Ω
I _{VREF}	Reference power source input current	(Note)			3.2	mA

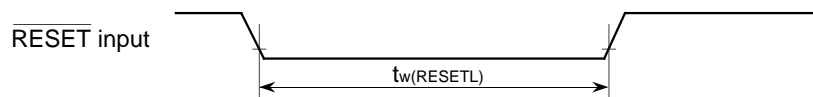
Note: The test conditions are as follows:

- One D-A converter is used.
- The D-A register value of the unused D-A converter is "0016."
- The reference power source input current for the ladder resistance of the A-D converter is excluded.

RESET INPUT

Reset input timing requirements ($V_{CC} = 3.3\text{ V} \pm 0.3\text{ V}$, $V_{SS} = 0\text{ V}$, $T_a = -20\text{ to }85\text{ }^\circ\text{C}$, unless otherwise noted)

Symbol	Parameter	Limits			Unit
		Min.	Typ.	Max.	
t _w (RESETL)	RESET input low-level pulse width	2			μs



PERIPHERAL DEVICE INPUT/OUTPUT TIMING

(VCC = 3.3 V±0.3 V, VSS = 0 V, Ta = -20 to 85 °C, f(fsyst) = 20 MHz unless otherwise noted)

* For limits depending on f(fsyst), their calculation formulas are shown below. Also, the values at f(fsyst) = 20 MHz are shown in ().

Timer A input (Count input in event counter mode)

Symbol	Parameter	Limits		Unit
		Min.	Max.	
tc(TA)	TAiIN input cycle time	80		ns
tw(TAH)	TAiIN input high-level pulse width	40		ns
tw(TAL)	TAiIN input low-level pulse width	40		ns

Timer A input (Gating input in timer mode)

Symbol	Parameter		Limits		Unit
			Min.	Max.	
tc(TA)	TAiIN input cycle time	f(fsyst) ≤ 20 MHz	$\frac{16 \times 10^9}{f(fsyst)}$ (800)		ns
tw(TAH)	TAiIN input high-level pulse width	f(fsyst) ≤ 20 MHz	$\frac{8 \times 10^9}{f(fsyst)}$ (400)		ns
tw(TAL)	TAiIN input low-level pulse width	f(fsyst) ≤ 20 MHz	$\frac{8 \times 10^9}{f(fsyst)}$ (400)		ns

Note : The TAiIN input cycle time requires 4 or more cycles of a count source. The TAiIN input high-level pulse width and the TAiIN input low-level pulse width respectively require 2 or more cycles of a count source. The limits in this table are applied when the count source = f2 at f(fsyst) ≤ 20 MHz.

Timer A input (External trigger input in one-shot pulse mode)

Symbol	Parameter		Limits		Unit
			Min.	Max.	
tc(TA)	TAiIN input cycle time	f(fsyst) ≤ 20 MHz	$\frac{8 \times 10^9}{f(fsyst)}$ (400)		ns
tw(TAH)	TAiIN input high-level pulse width		80		ns
tw(TAL)	TAiIN input low-level pulse width		80		ns

Timer A input (External trigger input in pulse width modulation mode)

Symbol	Parameter	Limits		Unit
		Min.	Max.	
tw(TAH)	TAiIN input high-level pulse width	80		ns
tw(TAL)	TAiIN input low-level pulse width	80		ns

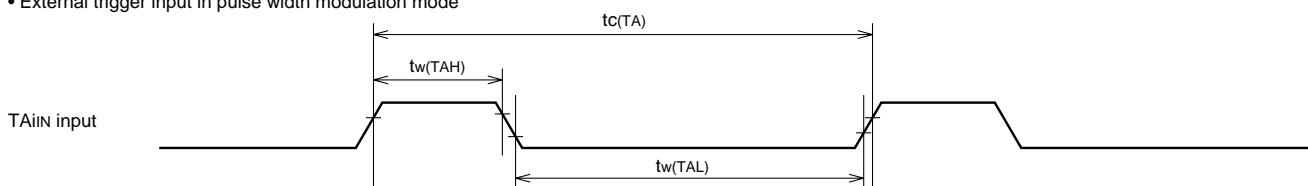
Timer A input (Up-down input and Count input in event counter mode)

Symbol	Parameter	Limits		Unit
		Min.	Max.	
tc(UP)	TAiOUT input cycle time	2000		ns
tw(UPH)	TAiOUT input high-level pulse width	1000		ns
tw(UPL)	TAiOUT input low-level pulse width	1000		ns
tsu(UP-TiN)	TAiOUT input setup time	400		ns
th(TiN-UP)	TAiOUT input hold time	400		ns

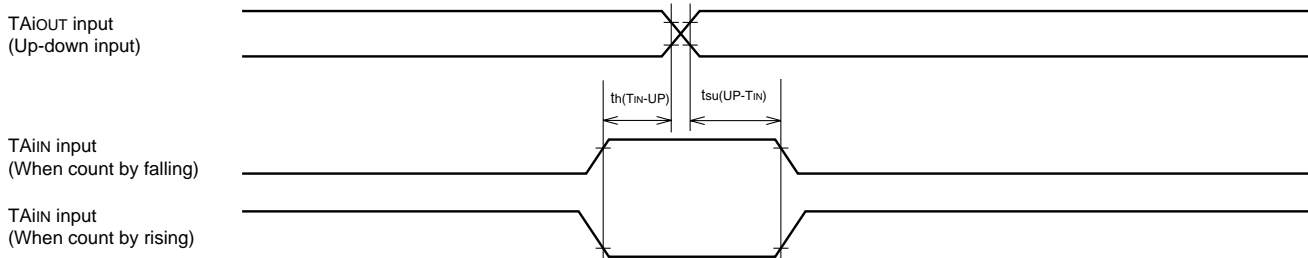
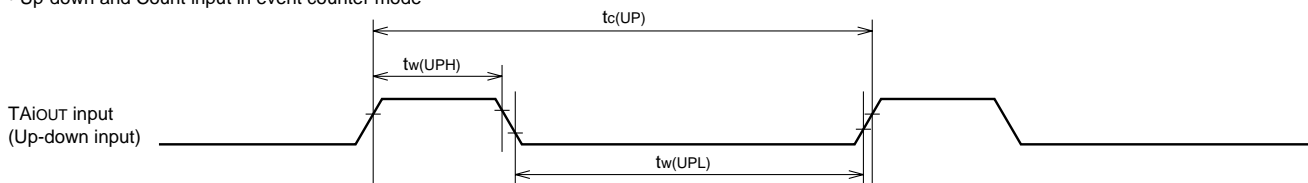
Timer A input (Two-phase pulse input in event counter mode)

Symbol	Parameter	Limits		Unit
		Min.	Max.	
$t_c(TA)$	TAiIN input cycle time	800		ns
$t_{su}(TA_{jIN}-TA_{jOUT})$	TAjIN input setup time	200		ns
$t_{su}(TA_{jOUT}-TA_{jIN})$	TAjOUT input setup time	200		ns

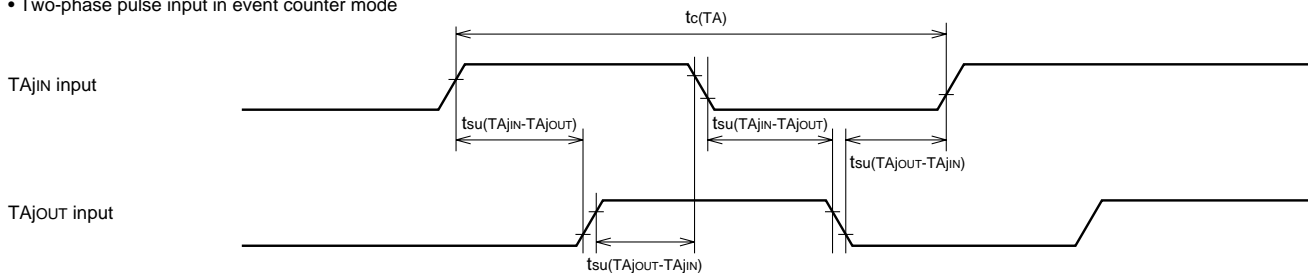
- Gating input in timer mode
- Count input in event counter mode
- External trigger input in one-shot pulse mode
- External trigger input in pulse width modulation mode



- Up-down and Count input in event counter mode



- Two-phase pulse input in event counter mode



Test conditions

- $V_{CC} = 3.3 V \pm 0.3 V$, $T_a = -20$ to $85^\circ C$
- Input timing voltage : $V_{IL} = 0.53 V$, $V_{IH} = 1.65 V$

Timer B input (Count input in event counter mode)

Symbol	Parameter	Limits		Unit
		Min.	Max.	
$t_{c(TB)}$	TBiIn input cycle time (one edge count)	80		ns
$t_{w(TBH)}$	TBiIn input high-level pulse width (one edge count)	40		ns
$t_{w(TBL)}$	TBiIn input low-level pulse width (one edge count)	40		ns
$t_{c(TB)}$	TBiIn input cycle time (both edge count)	160		ns
$t_{w(TBH)}$	TBiIn input high-level pulse width (both edge count)	80		ns
$t_{w(TBL)}$	TBiIn input low-level pulse width (both edge count)	80		ns

Timer B input (Pulse period measurement mode)

Symbol	Parameter		Limits		Unit
			Min.	Max.	
$t_{c(TB)}$	TBiIn input cycle time	$f(f_{sys}) \leq 20 \text{ MHz}$	$\frac{16 \times 10^9}{f(f_{sys})}$ (800)		ns
$t_{w(TBH)}$	TBiIn input high-level pulse width	$f(f_{sys}) \leq 20 \text{ MHz}$	$\frac{8 \times 10^9}{f(f_{sys})}$ (400)		ns
$t_{w(TBL)}$	TBiIn input low-level pulse width	$f(f_{sys}) \leq 20 \text{ MHz}$	$\frac{8 \times 10^9}{f(f_{sys})}$ (400)		ns

Note: The TBiIn input cycle time requires 4 or more cycles of a count source. The TBiIn input high-level pulse width and the TBiIn input low-level pulse width respectively require 2 or more cycles of a count source. The limits in this table are applied when the count source = f_2 at $f(f_{sys}) \leq 20 \text{ MHz}$.

Timer B input (Pulse width measurement mode)

Symbol	Parameter		Limits		Unit
			Min.	Max.	
$t_{c(TB)}$	TBiIn input cycle time	$f(f_{sys}) \leq 20 \text{ MHz}$	$\frac{16 \times 10^9}{f(f_{sys})}$ (800)		ns
$t_{w(TBH)}$	TBiIn input high-level pulse width	$f(f_{sys}) \leq 20 \text{ MHz}$	$\frac{8 \times 10^9}{f(f_{sys})}$ (400)		ns
$t_{w(TBL)}$	TBiIn input low-level pulse width	$f(f_{sys}) \leq 20 \text{ MHz}$	$\frac{8 \times 10^9}{f(f_{sys})}$ (400)		ns

Note: The TBiIn input cycle time requires 4 or more cycles of a count source. The TBiIn input high-level pulse width and the TBiIn input low-level pulse width respectively require 2 or more cycles of a count source. The limits in this table are applied when the count source = f_2 at $f(f_{sys}) \leq 20 \text{ MHz}$.

A-D trigger input

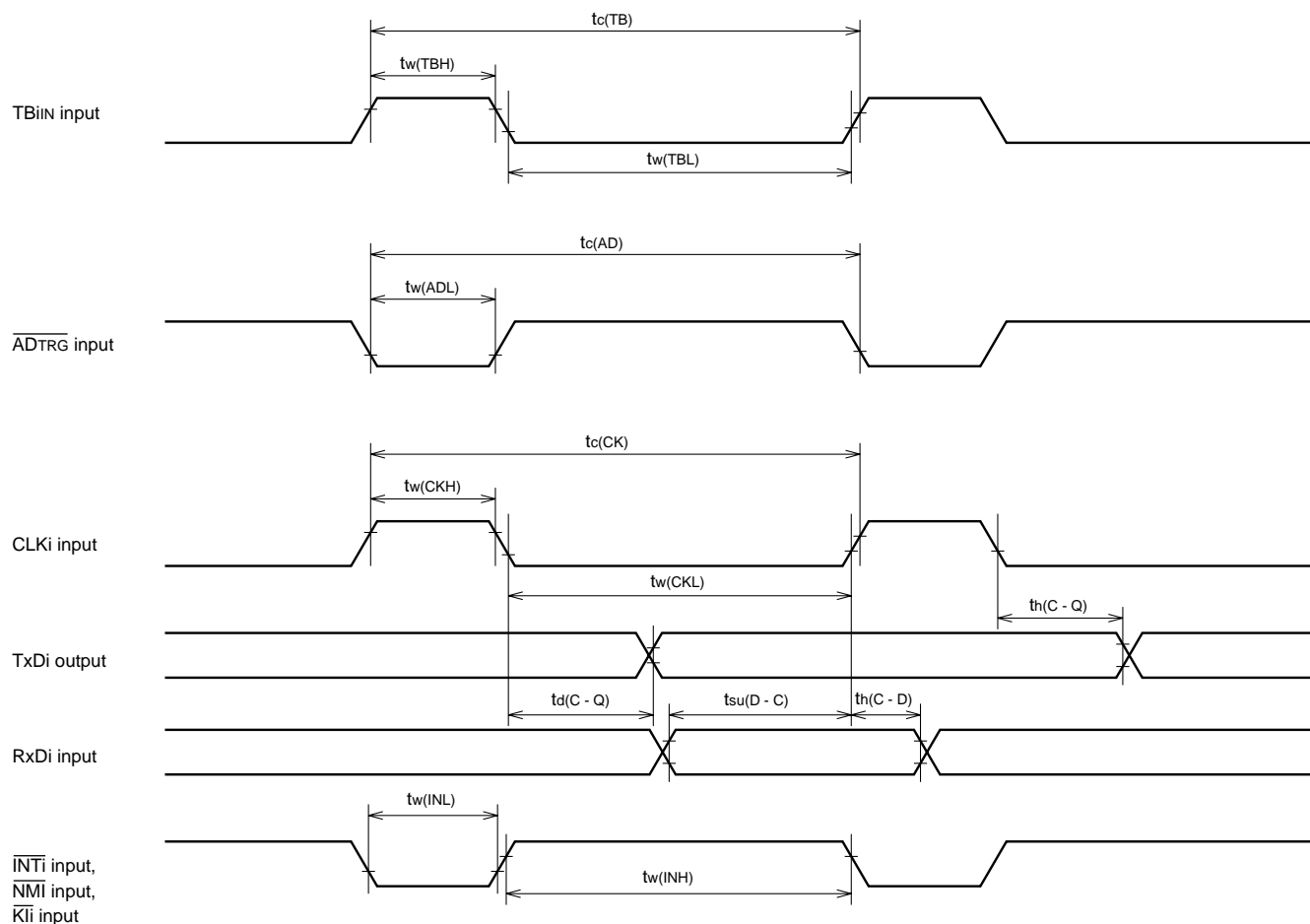
Symbol	Parameter	Limits		Unit
		Min.	Max.	
$t_{c(AD)}$	ADTRG input cycle time (minimum allowable trigger)	1000		ns
$t_{w(ADL)}$	ADTRG input low-level pulse width	125		ns

Serial I/O

Symbol	Parameter	Limits		Unit
		Min.	Max.	
$t_c(\text{CK})$	CLKi input cycle time	200		ns
$t_w(\text{CKH})$	CLKi input high-level pulse width	100		ns
$t_w(\text{CKL})$	CLKi input low-level pulse width	100		ns
$t_d(\text{C-Q})$	TxDi output delay time		80	ns
$t_h(\text{C-Q})$	TxDi hold time	0		ns
$t_{su}(\text{D-C})$	RxDi input setup time	20		ns
$t_h(\text{C-D})$	RxDi input hold time	90		ns

External interrupt ($\overline{\text{INTi}}$) input, $\overline{\text{NMI}}$ input, Key input interrupt ($\overline{\text{Kli}}$) input

Symbol	Parameter	Limits		Unit
		Min.	Max.	
$t_w(\text{INH})$	$\overline{\text{INTi}}$ input/ $\overline{\text{NMI}}$ input/ $\overline{\text{Kli}}$ input high-level pulse width	250		ns
$t_w(\text{INL})$	$\overline{\text{INTi}}$ input/ $\overline{\text{NMI}}$ input/ $\overline{\text{Kli}}$ input low-level pulse width	250		ns



Test conditions

- $V_{cc} = 3.3 \text{ V} \pm 0.3 \text{ V}$, $T_a = -20 \text{ to } 85^\circ\text{C}$
- Input timing voltage : $V_{IL} = 0.53 \text{ V}$, $V_{IH} = 1.65 \text{ V}$
- Output timing voltage : $V_{OL} = 0.8 \text{ V}$, $V_{OH} = 2.0 \text{ V}$, $C_L = 50 \text{ pF}$

READY, HOLD TIMING

Timing requirements ($V_{CC} = 3.3 V \pm 0.3 V$, $V_{SS} = 0 V$, $T_a = -20$ to 85 °C, $f(f_{sys}) = 20$ MHz, unless otherwise noted)

Symbol	Parameter	Limits		Unit
		Min.	Max.	
$t_{su}(RDY-\phi 1)$	RDY input setup time	40		ns
$t_{su}(HOLD-\phi 1)$	HOLD input setup time	40		ns
$t_h(\phi 1-RDY)$	RDY input hold time	0		ns
$t_h(\phi 1-HOLD)$	HOLD input hold time	0		ns

Switching characteristics ($V_{CC} = 3.3 V \pm 0.3 V$, $V_{SS} = 0 V$, $T_a = -20$ to 85 °C, $f(f_{sys}) = 20$ MHz, unless otherwise noted)

Symbol	Parameter	Limits		Unit
		Min.	Max.	
$t_d(\phi 1-HLDAL)$	$\overline{HLD\bar{A}}$ output delay time		20	ns
$t_d(RDH-HLDAL)$	$\overline{HLD\bar{A}}$ low-level output delay time after read	$t_c - 15$ (Note)		ns
$t_d(BXWH-HLDAL)$	$\overline{HLD\bar{A}}$ low-level output delay time after write	$t_c - 15$ (Note)		ns
$t_{pxz}(HLDAL-RDZ)$	Floating start delay time	-15	10	ns
$t_{pxz}(HLDAL-BXWZ)$	Floating start delay time	-15	10	ns
$t_{pxz}(HLDAL-CSiZ)$	Floating start delay time	-15	10	ns
$t_{pxz}(HLDAL-ALEZ)$	Floating start delay time	-15	10	ns
$t_{pxz}(HLDAL-AZ)$	Floating start delay time	-15	10	ns
$t_{pzx}(HLDAL-RDZ)$	Floating release delay time	0		ns
$t_{pzx}(HLDAL-BXWZ)$	Floating release delay time	0		ns
$t_{pzx}(HLDAL-CSiZ)$	Floating release delay time	0		ns
$t_{pzx}(HLDAL-ALEZ)$	Floating release delay time	0		ns
$t_{pzx}(HLDAL-AZ)$	Floating release delay time	0		ns

Note: $t_c = 1/f(f_{sys})$.

External bus timing

For limits depending on $f(f_{sys})$, their calculation formulas are shown below.

Bus cycle	WH	WL	Bus cycle	WH	WL
$1\phi + 1\phi$	1	1	$2\phi + 3\phi$	2	3
$1\phi + 2\phi$	1	2	$2\phi + 4\phi$	2	4
$1\phi + 3\phi$	1	3	$3\phi + 3\phi$	3	3
$2\phi + 2\phi$	2	2	$3\phi + 4\phi$	3	4

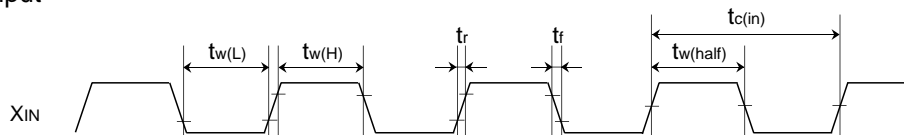
$$t_c = 1/f(f_{sys}).$$

Timing Requirements ($V_{CC} = 3.3 V \pm 0.3 V$, $V_{SS} = 0 V$, $T_a = -20$ to $85^\circ C$, $f(X_{IN}) = 20$ MHz, unless otherwise noted)

Symbol	Parameter	Limits		Unit
		Min.	Max.	
$t_{c(in)}$	External clock input cycle time	50		ns
$t_{w(half)}$	External clock input pulse width with half input-voltage	$0.45 t_c$	$0.55 t_c$	ns
$t_{w(H)}$	External clock input high-level pulse width	$0.5 t_c - 6$		ns
$t_{w(L)}$	External clock input low-level pulse width	$0.5 t_c - 6$		ns
t_r	External clock input rise time	6		ns
t_f	External clock input fall time	6		ns
$t_a(A-D)$	Address access time (the address output select bit = 0)		$(W_H + W_L) t_c - 45$	ns
$t_a(A-D)$	Address access time (the address output select bit = 1)		$(W_H + W_L - 0.5) t_c - 35$	ns
$t_a(CSIL-D)$	Chip select access time		$(W_H + W_L - 0.5) t_c - 35$	ns
$t_a(RDL-D)$	Read access time		$W_L \times t_c - 30$	ns
$t_{su}(D-RDL)$	Read data setup time	15		ns
$t_h(RDH-D)$	Data input hold time after read	0		ns
$t_a(BA-D)$	Address access time at burst ROM access		$W_L \times t_c - 35$	ns
$t_h(BA-D)$	Data hold time after address at burst ROM access	8		ns
$t_a(LA-D)$	Address access time (the multiplexed bus select bit = 1)		$(W_H + W_L - 0.5) t_c - 35$ (Note)	ns

Note: This is independent of the value of the address output select bit's contents.

External clock input



Test conditions

- $V_{CC} = 3.3 V \pm 0.3 V$, $T_a = -20$ to $85^\circ C$
- Input timing voltage : $V_{IL} = 0.66 V$, $V_{IH} = 2.64 V$ ($t_{w(H)}$, $t_{w(L)}$, t_r , t_f)
- Output timing voltage : $1.65 V$ ($t_{c(in)}$, $t_{w(half)}$)

MITSUBISHI MICROCOMPUTERS
M37902FCMHP, M37902FGMHP

SINGLE-CHIP 16-BIT CMOS MICROCOMPUTER

Switching characteristics ($V_{CC} = 3.3 V \pm 0.3 V$, $V_{SS} = 0 V$, $T_a = -20$ to $85\text{ }^\circ\text{C}$, $f(\text{fsys}) = 20\text{ MHz}$, unless otherwise noted)

Symbol	Parameter		Limits		Unit
			Min.	Max.	
td(ϕ 1-RDL)	Read low-level output delay time		-18	0	ns
td(ϕ 1-RDH)	Read high-level output delay time		-18	0	ns
td(ϕ 1-BXWL)	Write low-level output delay time		-18	0	ns
td(ϕ 1-BXWH)	Write high-level output delay time		-18	0	ns
td(ϕ 1L-CSiL)	Chip select low-level output delay time		-20	0	ns
td(ϕ 1L-CSiH)	Chip select high-level output delay time		-22	10	ns
td(ϕ 1H-A)	Address output delay time (the address output select bit = 0)		-5	25	ns
td(ϕ 1L-A)	Address output delay time (the address output select bit = 1)		-20	16	ns
tw(ALEH)	ALE pulse width	Bus cycle = $1\phi + 1\phi$, $1\phi + 2\phi$, $1\phi + 3\phi$	0.5tc-19		ns
		Bus cycle = $2\phi + 2\phi$	tc-20		ns
		Bus cycle = $2\phi + 3\phi$, $2\phi + 4\phi$, $3\phi + 3\phi$, $3\phi + 4\phi$	1.5tc-20		ns
td(A-ALEL)	ALE completion delay time after address stabilization (when the address output select bit = 0)	Bus cycle = $1\phi + 1\phi$, $1\phi + 2\phi$, $1\phi + 3\phi$	tc-30		ns
		Bus cycle = $2\phi + 2\phi$	1.5tc-30		ns
		Bus cycle = $2\phi + 3\phi$, $2\phi + 4\phi$, $3\phi + 3\phi$, $3\phi + 4\phi$	2tc-30		ns
	ALE completion delay time after address stabilization (when the address output select bit = 1)	Bus cycle = $1\phi + 1\phi$, $1\phi + 2\phi$, $1\phi + 3\phi$	0.5tc-19		ns
		Bus cycle = $2\phi + 2\phi$	tc-20		ns
		Bus cycle = $2\phi + 3\phi$, $2\phi + 4\phi$, $3\phi + 3\phi$, $3\phi + 4\phi$	1.5tc-20		ns
tw(RDL)	Read output pulse width		WL X tc-15		ns
tw(RDH)	Read output high-level width (Note 1)		WH X tc-15		ns
td(RDH-BXWH)	Write disable valid time after read (Note 2)		tc-15		ns
td(A-RDH)	Address valid time before read (when the address output select bit = 0)		WH X tc-30		ns
td(A-RDH)	Address valid time before read (when the address output select bit = 1)		(WH-0.5)tc-19		ns
th(RDH-A)	Address hold time after read (when the address output select bit = 0) (Note 2)		8		ns
th(RDH-A)	Address hold time after read (when the address output select bit = 1) (Note 2)		0.5tc-10		ns
td(RDH-ALEL)	ALE completion delay time after read start			20	ns
td(ALEL-RDH)	Read disable valid time after ALE completion	Bus cycle = $2\phi + 2\phi$	0.5tc-19		ns
		Bus cycle = $3\phi + 3\phi$, $3\phi + 4\phi$	tc-15		ns
td(CSiL-RDH)	Chip select valid time before read		(WH-0.5)tc-19		ns
td(CSiL-RDL)	Chip select output valid time before read completion		(WH + WL-0.5)tc-20		ns
th(RDH-CSiL)	Chip select hold time after read		0.5tc-14		ns
td(RDH-D)	Next write cycle data output delay time after read (Note 2)		tc-15		ns
tw(BXWL)	Write output pulse width		WL X tc-15		ns
tw(BXWH)	Write output high-level width (Note 1)		WH X tc-15		ns
td(BXWH-RDH)	Read disable valid time after write (Note 2)		tc-15		ns
td(A-BXWH)	Address valid time before write (when the address output select bit = 0)		WH X tc-30		ns
td(A-BXWH)	Address valid time before write (when the address output select bit = 1)		(WH-0.5)tc-19		ns
th(BXWH-A)	Address hold time after write (when the address output select bit = 0) (Note 2)		8		ns
th(BXWH-A)	Address hold time after write (when the address output select bit = 1) (Note 2)		0.5tc-10		ns
td(BXWH-ALEL)	ALE completion delay time after write start			20	ns
td(ALEL-BXWH)	Write disable valid time after ALE completion	Bus cycle = $2\phi + 2\phi$	0.5tc-19		ns
		Bus cycle = $2\phi + 3\phi$, $2\phi + 4\phi$, $3\phi + 3\phi$, $3\phi + 4\phi$	tc-15		ns
td(CSiL-BXWH)	Chip select valid time before write		(WH-0.5)tc-19		ns
td(CSiL-BXWL)	Chip select output valid time before write completion		(WH + WL-0.5)tc-20		ns
th(BXWH-CSiL)	Chip select hold time after write		0.5tc-14		ns
td(D-BXWL)	Data output valid time before write completion		WL X tc-20		ns
th(BXWH-D)	Data hold time after write (Note 3)		0.5tc-10		ns
tpxz(BXWH-DZ)	Floating start delay time after write (Note 3)			0.5tc + 10	ns

Notes 1: When the bus cycle just before this parameter is for the area where the recovery cycle insertion is selected, this parameter is extended by tc (ns: one recovery cycle is inserted.) or by 2tc (ns: two recovery cycles are inserted.).

2: When accessing the area where the recovery cycle insertion is selected, this parameter is extended by tc (ns: one recovery cycle is inserted.) or by 2tc (ns: two recovery cycles are inserted.).

3: This parameter is extended by tc (ns) when both of the following conditions are satisfied:

- When accessing the area where the recovery cycle insertion is selected.
- When two recovery cycles are inserted.

MITSUBISHI MICROCOMPUTERS
M37902FCMHP, M37902FGMHP

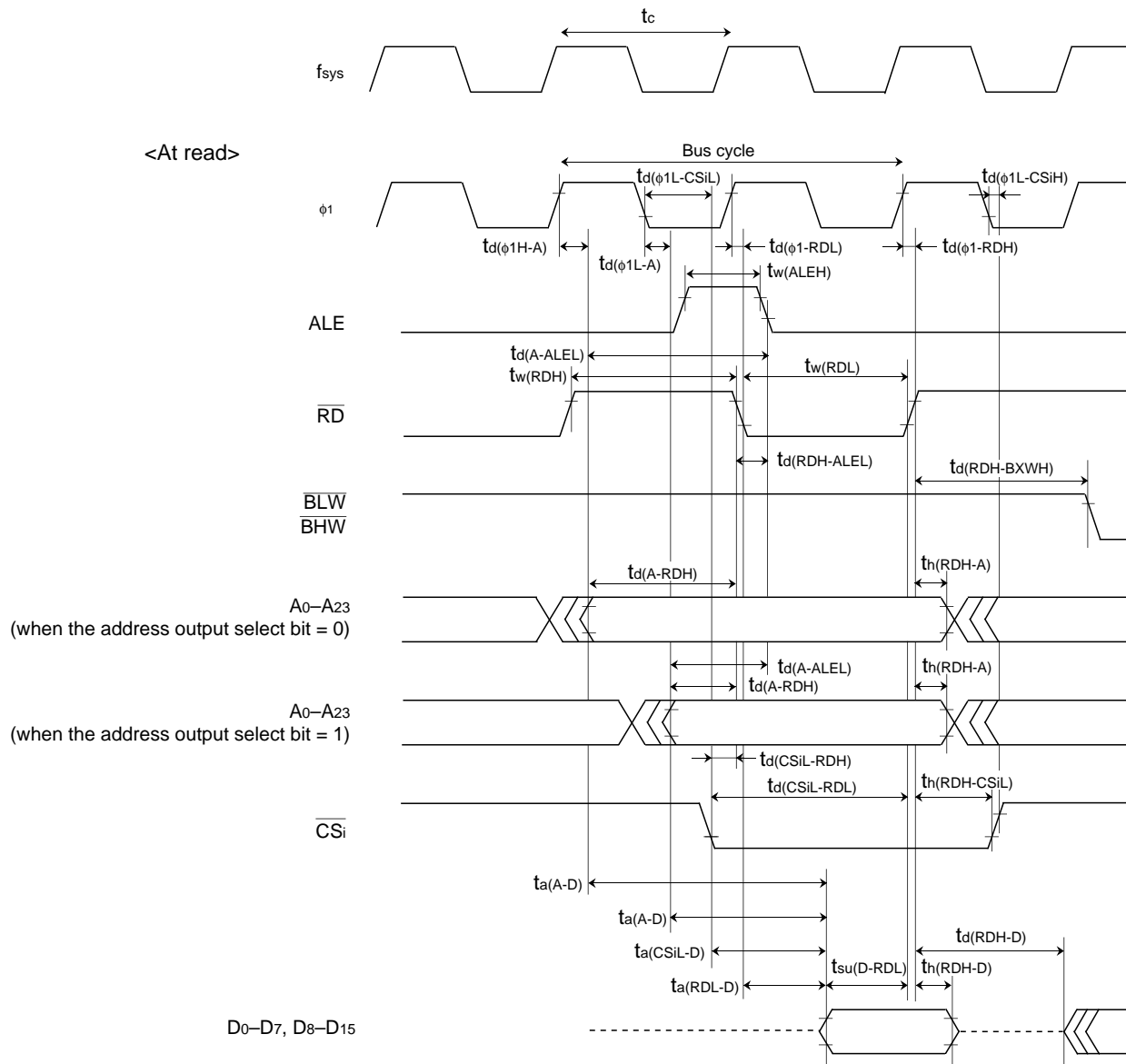
SINGLE-CHIP 16-BIT CMOS MICROCOMPUTER

Switching characteristics ($V_{CC} = 3.3 V \pm 0.3 V$, $V_{SS} = 0 V$, $T_a = -20$ to 85 °C, $f(f_{sys}) = 20$ MHz, unless otherwise noted)

Symbol	Parameter		Limits		Unit
			Min.	Max.	
$t_d(LA-RDH)$	Address valid time before read		$(WH-0.5)t_c-19$ (Note)		ns
$t_d(LA-ALEL)$	ALE completion delay time after address stabilization	Bus cycle = $2\phi + 2\phi$	t_c-20 (Note)		ns
		Bus cycle = $3\phi + 3\phi$, $3\phi + 4\phi$	$1.5t_c-20$ (Note)		ns
$t_h(ALEL-LA)$	Address hold time after ALE completion	Bus cycle = $2\phi + 2\phi$	$0.5t_c-19$		ns
		Bus cycle = $3\phi + 3\phi$, $3\phi + 4\phi$	t_c-15		ns
$t_{pxz}(RDH-LAZ)$	Floating start delay time			5	ns
$t_d(LA-BXWH)$	Address valid time before write		$(WH-0.5)t_c-19$ (Note)		ns
$t_{pzx}(RDH-DZ)$	Floating release delay time		$0.5t_c-19$ (Note)		ns

Note: This is independent of the address output select bit's contents.

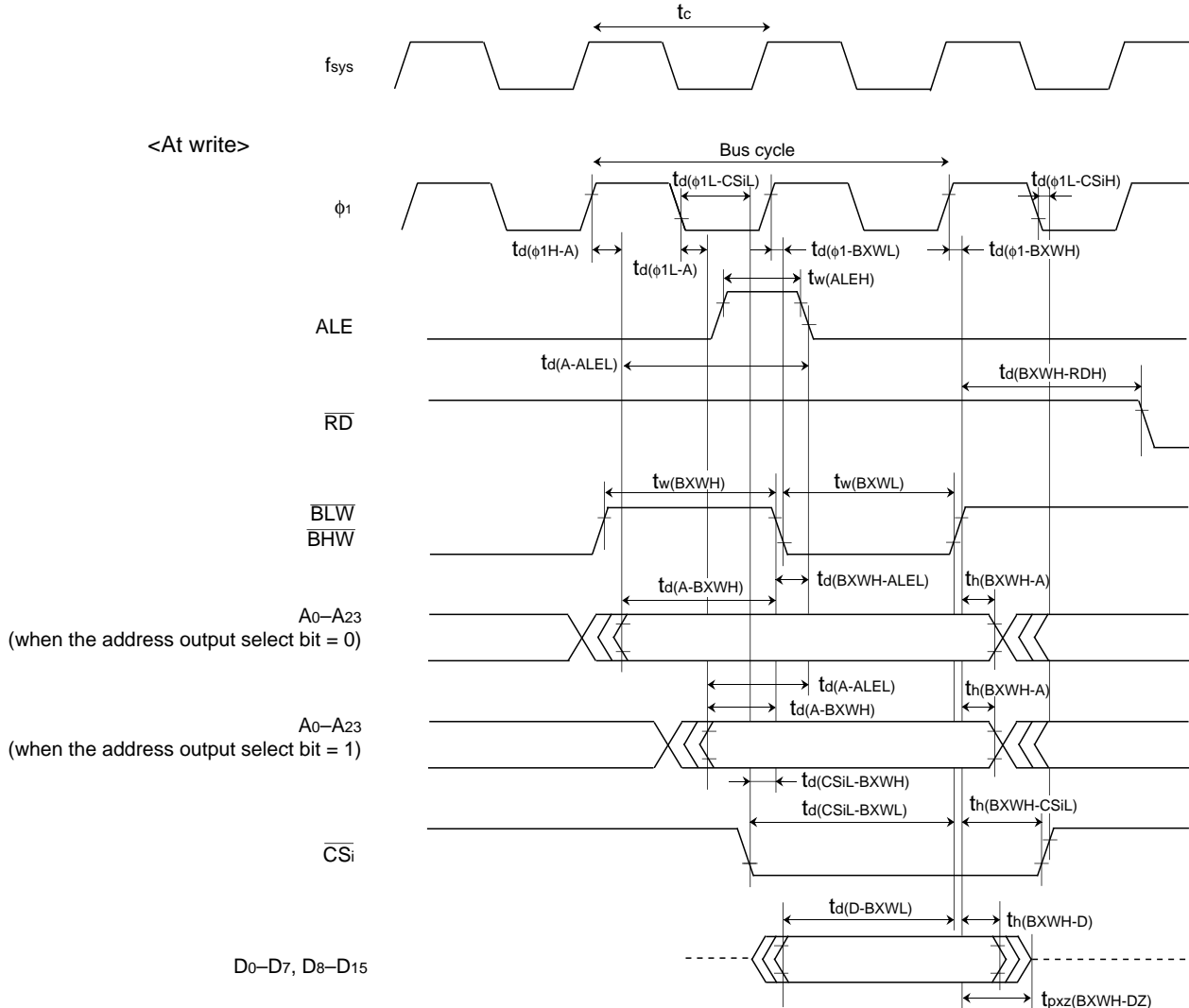
Normal access: bus cycle = $1\phi + 1\phi$, $1\phi + 2\phi$, $1\phi + 3\phi$,
 $2\phi + 3\phi$, or $2\phi + 4\phi$



Test conditions

- $V_{CC} = 3.3\text{ V} \pm 0.3\text{ V}$, $T_a = -20\text{ to }85\text{ }^\circ\text{C}$
- Input timing voltage : $V_{IL} = 0.53\text{ V}$, $V_{IH} = 1.65\text{ V}$
- Output timing voltage: $V_{OL} = 0.8\text{ V}$, $V_{OH} = 2.0\text{ V}$, $C_L = 15\text{ pF}$ (\overline{CS}_i)
- Output timing voltage: $V_{OL} = 0.8\text{ V}$, $V_{OH} = 2.0\text{ V}$, $C_L = 50\text{ pF}$ (except for \overline{CS}_i)

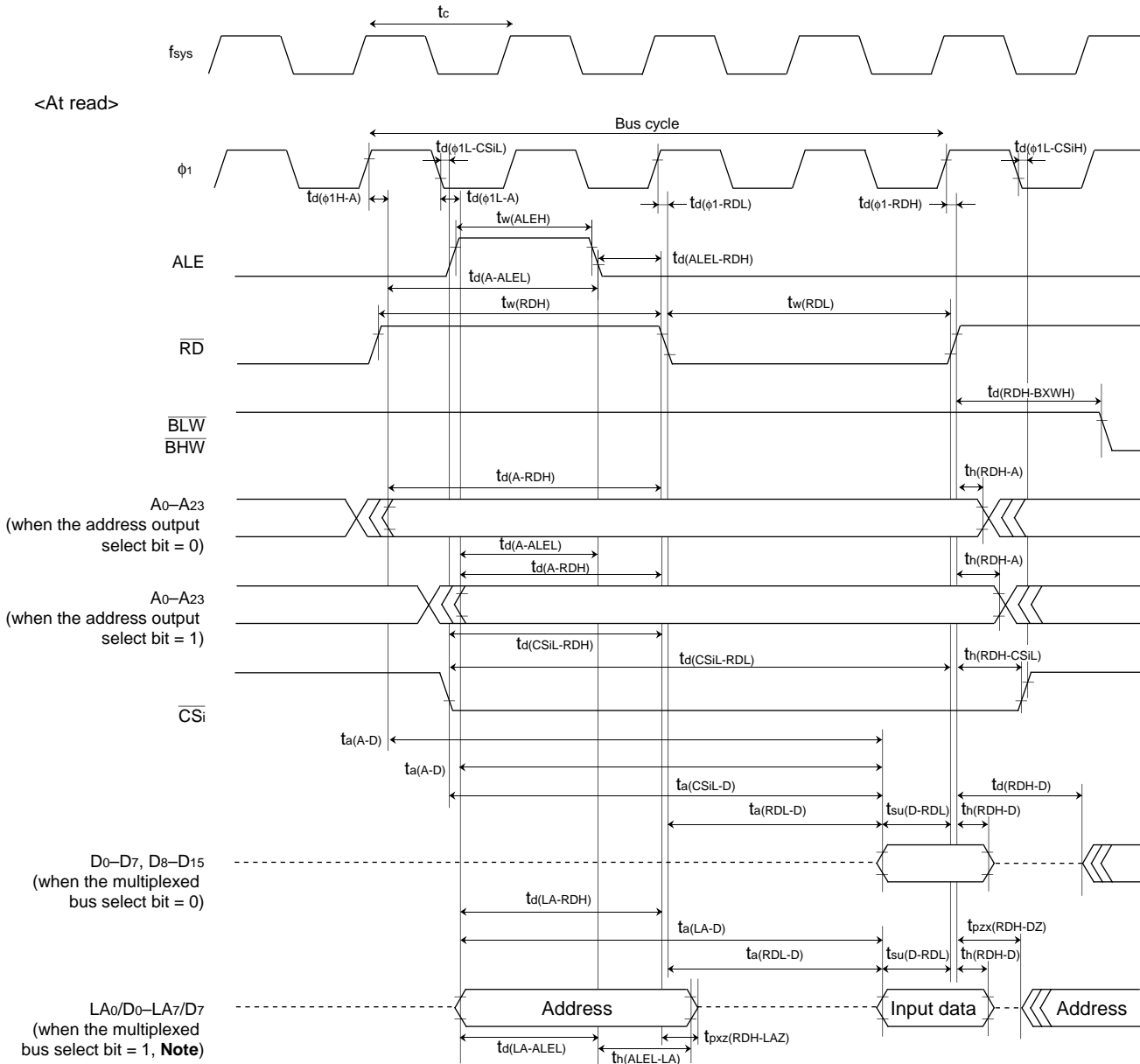
Normal access: bus cycle = $1\phi + 1\phi$, $1\phi + 2\phi$, $1\phi + 3\phi$,
 $2\phi + 3\phi$, or $2\phi + 4\phi$



Test conditions

- $V_{CC} = 3.3 \text{ V} \pm 0.3 \text{ V}$, $T_a = -20 \text{ to } 85 \text{ }^\circ\text{C}$
- Input timing voltage : $V_{IL}=0.53 \text{ V}$, $V_{IH}=1.65 \text{ V}$
- Output timing voltage: $V_{OL}=0.8 \text{ V}$, $V_{OH}=2.0 \text{ V}$, $C_L=15 \text{ pF}$ (\overline{CS}_i)
- Output timing voltage: $V_{OL}=0.8 \text{ V}$, $V_{OH}=2.0 \text{ V}$, $C_L=50 \text{ pF}$ (except for \overline{CS}_i)

Normal access: bus cycle = $2\phi + 2\phi, 3\phi + 3\phi, 3\phi + 4\phi$

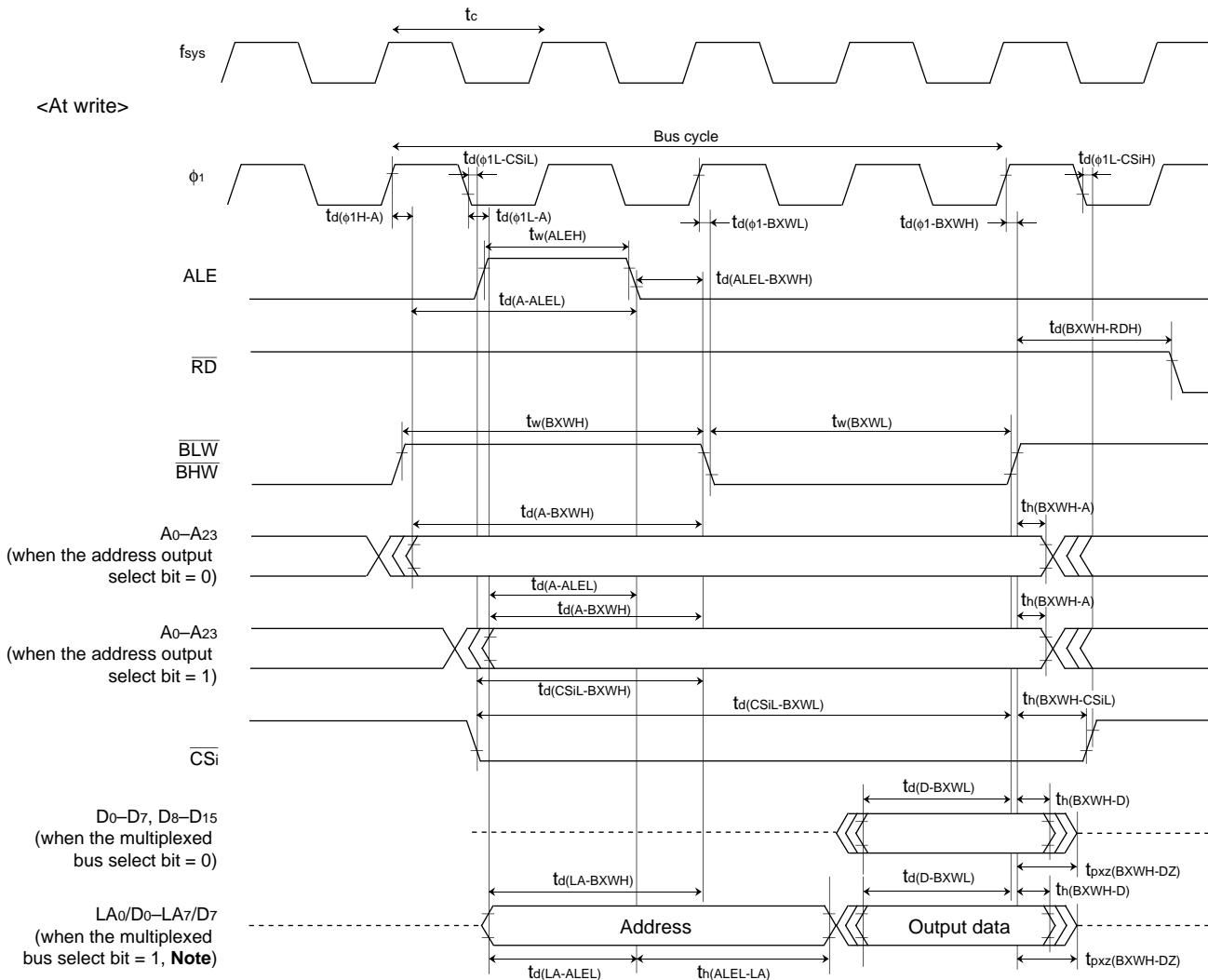


Note: Valid only when area \overline{CS}_2 is accessed with the external data bus width = 8 bits.

Test conditions

- $V_{CC} = 3.3 \text{ V} \pm 0.3 \text{ V}$, $T_a = -20 \text{ to } 85 \text{ }^\circ\text{C}$
- Input timing voltage : $V_{IL} = 0.53 \text{ V}$, $V_{IH} = 1.65 \text{ V}$
- Output timing voltage: $V_{OL} = 0.8 \text{ V}$, $V_{OH} = 2.0 \text{ V}$, $C_L = 15 \text{ pF}$ (\overline{CS}_i)
- Output timing voltage: $V_{OL} = 0.8 \text{ V}$, $V_{OH} = 2.0 \text{ V}$, $C_L = 50 \text{ pF}$ (except for \overline{CS}_i)

Normal access: bus cycle = $2\phi + 2\phi, 3\phi + 3\phi, 3\phi + 4\phi$

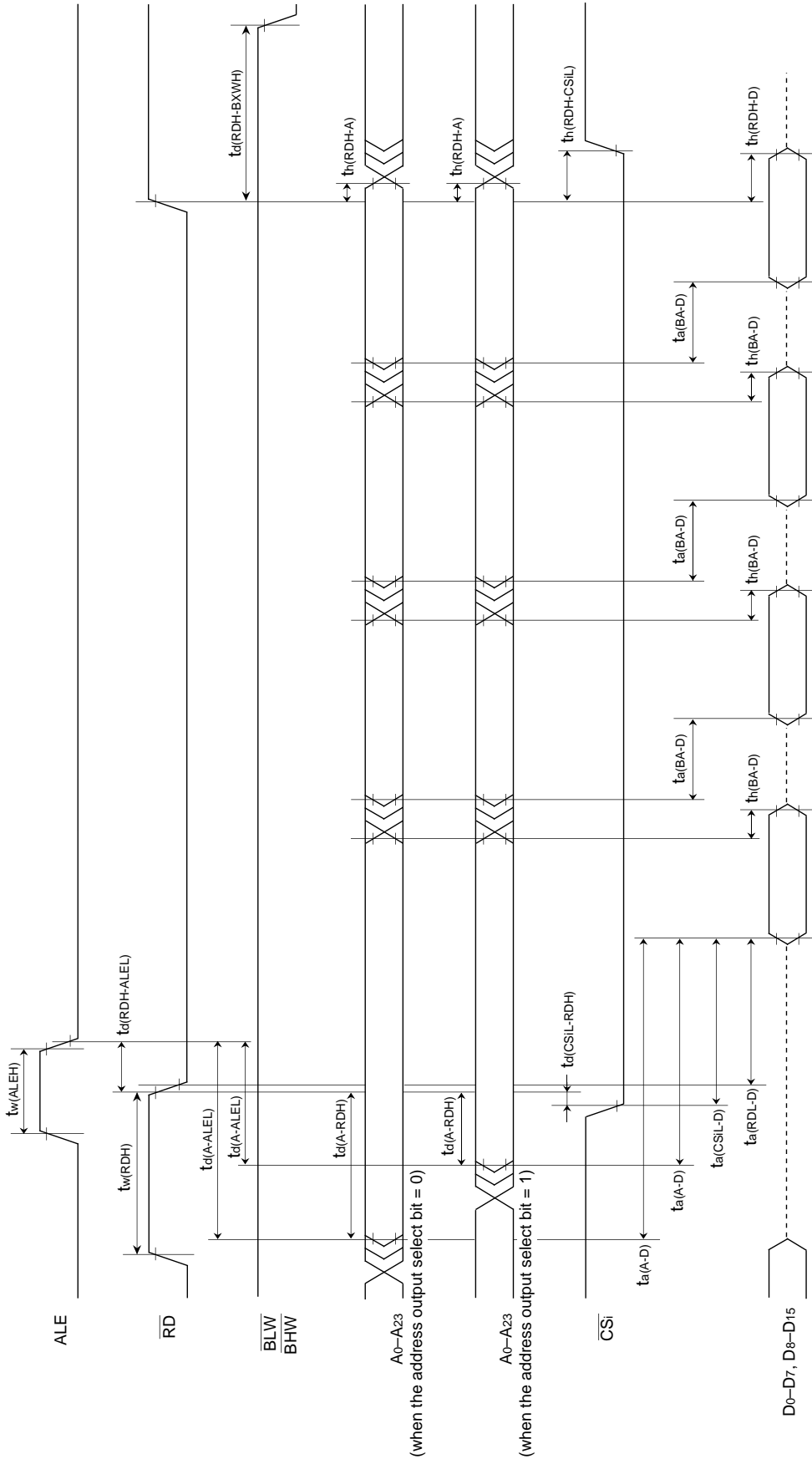


Note: Valid only when area \overline{CS}_2 is accessed with the external data bus width = 8 bits.

Test conditions

- $V_{CC} = 3.3\text{ V} \pm 0.3\text{ V}$, $T_a = -20\text{ to }85\text{ }^\circ\text{C}$
- Input timing voltage : $V_{IL}=0.53\text{ V}$, $V_{IH}=1.65\text{ V}$
- Output timing voltage: $V_{OL}=0.8\text{ V}$, $V_{OH}=2.0\text{ V}$, $C_L=15\text{ pF}$ (\overline{CS}_i)
- Output timing voltage: $V_{OL}=0.8\text{ V}$, $V_{OH}=2.0\text{ V}$, $C_L=50\text{ pF}$ (except for \overline{CS}_i)

Burst ROM access: bus cycle = $1\phi + 1\phi + 1\phi + 2\phi + 1\phi + 3\phi + 2\phi + 3\phi + 2\phi + 4\phi$



Test conditions

- $V_{CC} = 3.3 \text{ V} \pm 0.3 \text{ V}$, $T_a = -20 \text{ to } 85^\circ\text{C}$
- Input timing voltage: $V_{IL} = 0.53 \text{ V}$, $V_{IH} = 1.65 \text{ V}$
- Output timing voltage: $V_{OL} = 0.8 \text{ V}$, $V_{OH} = 2.0 \text{ V}$, $C_L = 15 \text{ pF}$ (CSi)
- Output timing voltage: $V_{OL} = 0.8 \text{ V}$, $V_{OH} = 2.0 \text{ V}$, $C_L = 50 \text{ pF}$ (except for CSi)

MITSUBISHI MICROCOMPUTERS

M37902FCMHP, M37902FGMHP

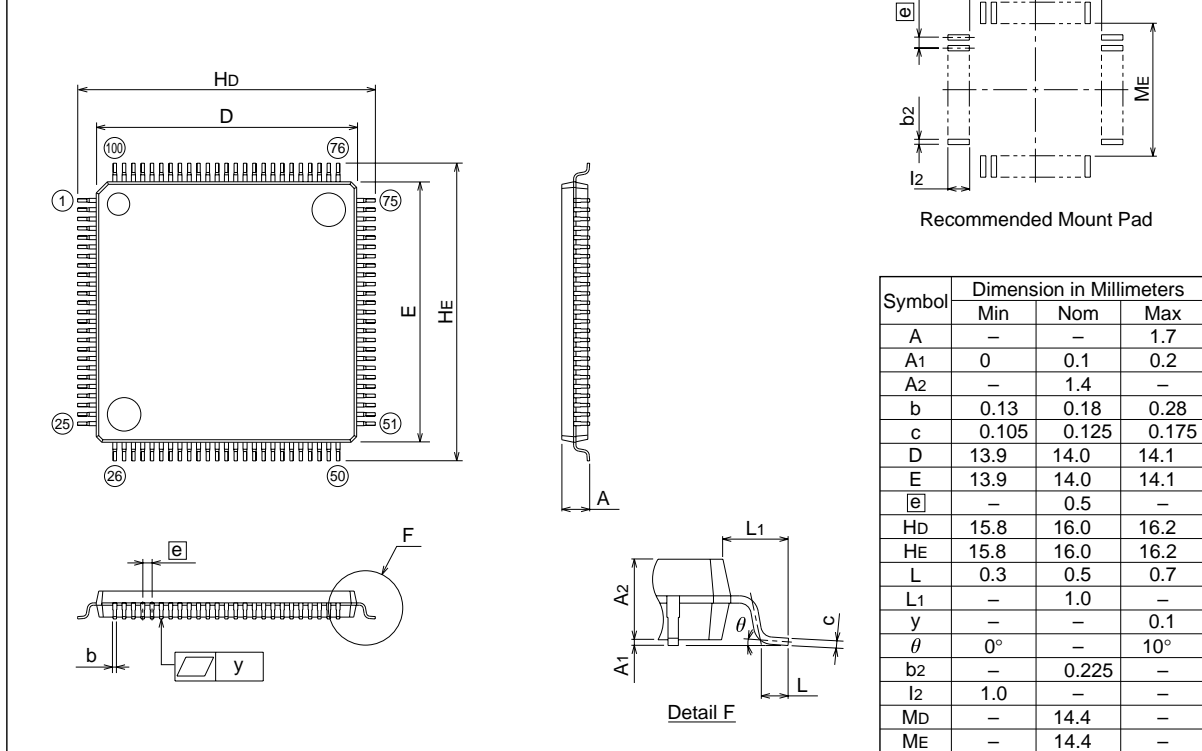
SINGLE-CHIP 16-BIT CMOS MICROCOMPUTER

PACKAGE OUTLINE

100P6Q-A

Plastic 100pin 14X14mm body LQFP

EIAJ Package Code	JEDEC Code	Weight(g)	Lead Material
LQFP100-P-1414-0.50	-		Cu Alloy



Keep safety first in your circuit designs!

- Mitsubishi Electric Corporation puts the maximum effort into making semiconductor products better and more reliable, but there is always the possibility that trouble may occur with them. Trouble with semiconductors may lead to personal injury, fire or property damage. Remember to give due consideration to safety when making your circuit designs, with appropriate measures such as (i) placement of substitutive, auxiliary circuits, (ii) use of non-flammable material or (iii) prevention against any malfunction or mishap.

Notes regarding these materials

- These materials are intended as a reference to assist our customers in the selection of the Mitsubishi semiconductor product best suited to the customer's application; they do not convey any license under any intellectual property rights, or any other rights, belonging to Mitsubishi Electric Corporation or a third party.
- Mitsubishi Electric Corporation assumes no responsibility for any damage, or infringement of any third-party's rights, originating in the use of any product data, diagrams, charts, programs, algorithms, or circuit application examples contained in these materials.
- All information contained in these materials, including product data, diagrams, charts, programs and algorithms represents information on products at the time of publication of these materials, and are subject to change by Mitsubishi Electric Corporation without notice due to product improvements or other reasons. It is therefore recommended that customers contact Mitsubishi Electric Corporation or an authorized Mitsubishi Semiconductor product distributor for the latest product information before purchasing a product listed herein.
- The information described here may contain technical inaccuracies or typographical errors. Mitsubishi Electric Corporation assumes no responsibility for any damage, liability, or other loss rising from these inaccuracies or errors.
- Please also pay attention to information published by Mitsubishi Electric Corporation by various means, including the Mitsubishi Semiconductor home page (<http://www.mitsubishichips.com>).
- When using any or all of the information contained in these materials, including product data, diagrams, charts, programs, and algorithms, please be sure to evaluate all information as a total system before making a final decision on the applicability of the information and products. Mitsubishi Electric Corporation assumes no responsibility for any damage, liability or other loss resulting from the information contained herein.
- Mitsubishi Electric Corporation semiconductors are not designed or manufactured for use in a device or system that is used under circumstances in which human life is potentially at stake. Please contact Mitsubishi Electric Corporation or an authorized Mitsubishi Semiconductor product distributor when considering the use of a product contained herein for any specific purposes, such as apparatus or systems for transportation, vehicular, medical, aerospace, nuclear, or undersea repeater use.
- The prior written approval of Mitsubishi Electric Corporation is necessary to reprint or reproduce in whole or in part these materials.
- If these products or technologies are subject to the Japanese export control restrictions, they must be exported under a license from the Japanese government and cannot be imported into a country other than the approved destination.
- Any diversion or reexport contrary to the export control laws and regulations of Japan and/or the country of destination is prohibited.
- Please contact Mitsubishi Electric Corporation or an authorized Mitsubishi Semiconductor product distributor for further details on these materials or the products contained therein.

Revision History

M37902FxmHP Datasheet

Rev. No.	Revision Description	Rev. date						
1.0	First Edition	990305						
2.0	Refer to Corrections and Supplementary Explanation for “M37902Fxm Datasheet (REV.A)” .	990625						
3.0	<p>The following are revised/added points in this edition:</p> <ul style="list-style-type: none"> • Page 20; RECOMMENDED OPERATING CONDITIONS <p><Error></p> <table border="1" data-bbox="236 707 1107 752"> <tr> <td data-bbox="236 707 331 752">f(f_{sys})</td> <td data-bbox="331 707 836 752">External clock input frequency (Note 2)</td> <td data-bbox="836 707 1107 752">●●●●●●●●</td> </tr> </table> <p><Correction></p> <table border="1" data-bbox="236 792 1107 837"> <tr> <td data-bbox="236 792 331 837">f(X_{IN})</td> <td data-bbox="331 792 836 837">External clock input frequency (Note 2)</td> <td data-bbox="836 792 1107 837">●●●●●●●●</td> </tr> </table> <ul style="list-style-type: none"> • Page 21; the maximum value of I_{cc} is revised. <p><Error> Ta = 25 °C when clock is stopped : — Ta = 85 °C when clock is stopped : —</p> <p><Correction> Ta = 25 °C when clock is stopped : <u>1</u> Ta = 85 °C when clock is stopped : <u>20</u></p>	f(f _{sys})	External clock input frequency (Note 2)	●●●●●●●●	f(X _{IN})	External clock input frequency (Note 2)	●●●●●●●●	990917
f(f _{sys})	External clock input frequency (Note 2)	●●●●●●●●						
f(X _{IN})	External clock input frequency (Note 2)	●●●●●●●●						
4.0	<p>Refer to Corrections and Supplementary Explanation for “M37902Fxm Datasheet (REV.B)”.</p> <p>Notes 1: ★ represents the new information added in Rev.4.0.</p> <p>2: The revised/added points informed in Rev.3.0 are included in Corrections and Supplementary Explanation for “M37902Fxm Datasheet (REV.B)”.</p>	000609						

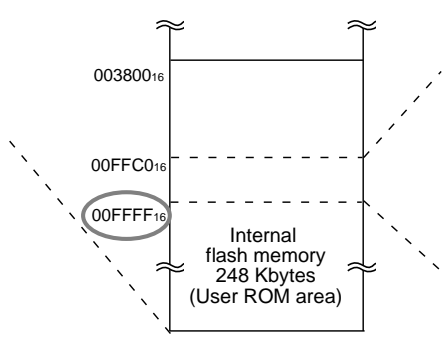
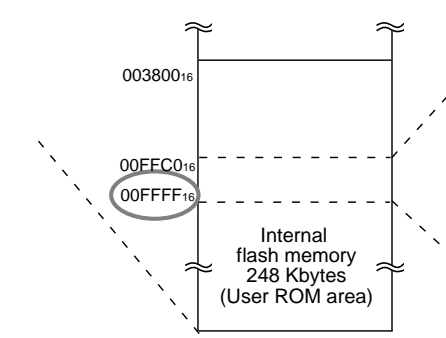
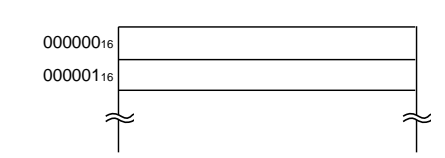
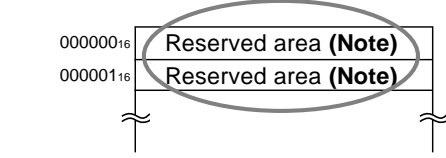
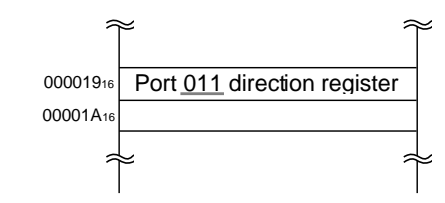
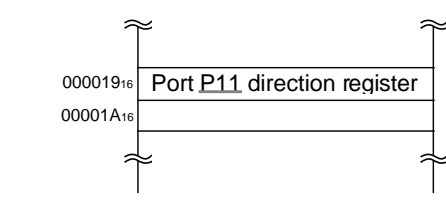
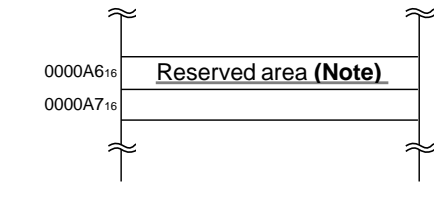
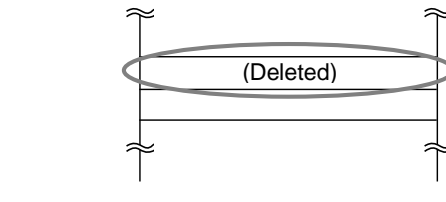
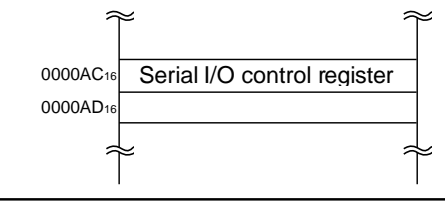
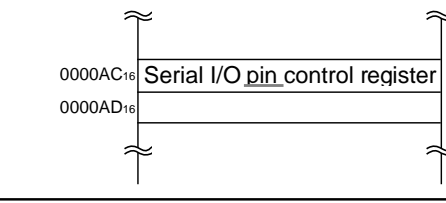
Corrections and Supplementary Explanation for M37902Fxm Datasheet (REV.B) NO.1

Page	Error	Correction																														
★ All pages, Header	PRELIMINARY Notice: This is not a final specification. Some parametric limits are subject to change.	(Deleted)																														
	<u>M37902F8MHP</u> , <u>M37902FCMHP</u> , <u>M37902FEMHP</u> , <u>M37902FGMHP</u> , <u>M37902FHMHP</u> , <u>M37902FJMHP</u>	M37902FCMHP, M37902FGMHP																														
★ Page 1, DISTINCTIVE FEATURES ; Memory	[M37902F8MHP] Flash memory (User ROM area)60 Kbytes RAM.....2048 bytes	(Deleted)																														
	[M37902FEMHP] Flash memory (User ROM area)184 Kbytes RAM.....6144 bytes	(Deleted)																														
	[M37902FHMHP] Flash memory (User ROM area)370 Kbytes RAM.....12288 bytes	(Deleted)																														
	[M37902FJMHP] Flash memory (User ROM area)498 Kbytes RAM.....12288 bytes	(Deleted)																														
★ Page 1, DISTINCTIVE FEATURES ; Instruction execution time	The fastest instruction at 26 MHz frequency38 ns	The fastest instruction at 20 MHz frequency50 ns																														
★ Page 1, APPLICATION	Control devices for personal computer peripheral equipment such as CD-ROM drives, DVD-ROM drives, hard disk drives, high density FDD, printers Control devices for office equipment such as copiers and facsimiles Control devices for industrial equipment such as communication and measuring instruments	Control devices for personal computer peripheral equipment such as CD-ROM drives, DVD-ROM drives, hard disk drives, high density FDD, printers																														
★ Page 2, PIN CONFIGURATION	<u>P63/INT2</u> (Type) M37902F8MHP M37902FCMHP M37902FEMHP M37902FGMHP M37902FHMHP M37902FJMHP	<u>P64/INT2</u> (Type) M37902FCMHP M37902FGMHP																														
★ Page 3, BLOCK DIAGRAM, Note:	Note: <table border="1"> <thead> <tr> <th></th> <th>Flash memory</th> <th>RAM</th> </tr> </thead> <tbody> <tr> <td>M37902F8MHP</td> <td>60 Kbytes</td> <td>2048 bytes</td> </tr> <tr> <td>M37902FCMHP</td> <td>120 Kbytes</td> <td>4096 bytes</td> </tr> <tr> <td>M37902FEMHP</td> <td>184 Kbytes</td> <td>6144 bytes</td> </tr> <tr> <td>M37902FGMHP</td> <td>248 Kbytes</td> <td>6144 bytes</td> </tr> <tr> <td>M37902FHMHP</td> <td>370 Kbytes</td> <td>12288 bytes</td> </tr> <tr> <td>M37902FJMHP</td> <td>498 Kbytes</td> <td>12288 bytes</td> </tr> </tbody> </table>		Flash memory	RAM	M37902F8MHP	60 Kbytes	2048 bytes	M37902FCMHP	120 Kbytes	4096 bytes	M37902FEMHP	184 Kbytes	6144 bytes	M37902FGMHP	248 Kbytes	6144 bytes	M37902FHMHP	370 Kbytes	12288 bytes	M37902FJMHP	498 Kbytes	12288 bytes	Note: <table border="1"> <thead> <tr> <th></th> <th>Flash memory</th> <th>RAM</th> </tr> </thead> <tbody> <tr> <td>M37902FCMHP</td> <td>120 Kbytes</td> <td>4096 bytes</td> </tr> <tr> <td>M37902FGMHP</td> <td>248 Kbytes</td> <td>6144 bytes</td> </tr> </tbody> </table>		Flash memory	RAM	M37902FCMHP	120 Kbytes	4096 bytes	M37902FGMHP	248 Kbytes	6144 bytes
	Flash memory	RAM																														
M37902F8MHP	60 Kbytes	2048 bytes																														
M37902FCMHP	120 Kbytes	4096 bytes																														
M37902FEMHP	184 Kbytes	6144 bytes																														
M37902FGMHP	248 Kbytes	6144 bytes																														
M37902FHMHP	370 Kbytes	12288 bytes																														
M37902FJMHP	498 Kbytes	12288 bytes																														
	Flash memory	RAM																														
M37902FCMHP	120 Kbytes	4096 bytes																														
M37902FGMHP	248 Kbytes	6144 bytes																														
★ Page 4, Instruction execution time	38 ns (the fastest instruction at $f(f_{sys}) = 26$ MHz)	50 ns (the fastest instruction at $f(f_{sys}) = 20$ MHz)																														
★ Page 4, External clock input frequency $f(XIN)$, System clock frequency f_{sys}	26 MHz (Max.)	20 MHz (Max.)																														
Page 4, Chip-select wait control	Chip select area X 4 ($\overline{CS0} - \overline{CS3}$). A wait number and bus width can be set for each chip select area.	Chip select area X 4 ($\overline{CS0} - \overline{CS3}$). A bus cycle type and bus width can be set for each chip select area.																														

Corrections and Supplementary Explanation for M37902FxM Datasheet (REV.B) NO.2

Page	Error	Correction																																				
★ Page 4, Power dissipation	51.5 mW (at $f(f_{sys}) = 26$ MHz, Typ.,	39.6 mW (at $f(f_{sys}) = 20$ MHz, Typ.,																																				
★ Page 4, Operating temperature range	Operating temperature range	Operating <u>ambient</u> temperature range																																				
★ Page 4, Note:	<p>Note:</p> <table border="1"> <tr><td rowspan="5">Flash memory (User ROM area)</td><td>M37902F8MHP</td><td>60 Kbytes</td></tr> <tr><td>M37902FCMHP</td><td>120 Kbytes</td></tr> <tr><td>M37902FEMHP</td><td>184 Kbytes</td></tr> <tr><td>M37902FGMHP</td><td>248 Kbytes</td></tr> <tr><td>M37902FHMHP</td><td>370 Kbytes</td></tr> <tr><td rowspan="5">RAM</td><td>M37902FJMHP</td><td>498 Kbytes</td></tr> <tr><td>M37902F8MHP</td><td>2048 bytes</td></tr> <tr><td>M37902FCMHP</td><td>4096 bytes</td></tr> <tr><td>M37902FEMHP</td><td>6144 bytes</td></tr> <tr><td>M37902FGMHP</td><td>6144 bytes</td></tr> <tr><td>M37902FHMHP</td><td>12288 bytes</td></tr> <tr><td>M37902FJMHP</td><td>12288 bytes</td></tr> </table>	Flash memory (User ROM area)	M37902F8MHP	60 Kbytes	M37902FCMHP	120 Kbytes	M37902FEMHP	184 Kbytes	M37902FGMHP	248 Kbytes	M37902FHMHP	370 Kbytes	RAM	M37902FJMHP	498 Kbytes	M37902F8MHP	2048 bytes	M37902FCMHP	4096 bytes	M37902FEMHP	6144 bytes	M37902FGMHP	6144 bytes	M37902FHMHP	12288 bytes	M37902FJMHP	12288 bytes	<p>Note:</p> <table border="1"> <tr><td rowspan="2">Flash memory (User ROM area)</td><td>M37902FCMHP</td><td>120 Kbytes</td></tr> <tr><td>M37902FGMHP</td><td>248 Kbytes</td></tr> <tr><td rowspan="2">RAM</td><td>M37902FCMHP</td><td>4096 bytes</td></tr> <tr><td>M37902FGMHP</td><td>6144 bytes</td></tr> </table>	Flash memory (User ROM area)	M37902FCMHP	120 Kbytes	M37902FGMHP	248 Kbytes	RAM	M37902FCMHP	4096 bytes	M37902FGMHP	6144 bytes
Flash memory (User ROM area)	M37902F8MHP		60 Kbytes																																			
	M37902FCMHP		120 Kbytes																																			
	M37902FEMHP		184 Kbytes																																			
	M37902FGMHP		248 Kbytes																																			
	M37902FHMHP	370 Kbytes																																				
RAM	M37902FJMHP	498 Kbytes																																				
	M37902F8MHP	2048 bytes																																				
	M37902FCMHP	4096 bytes																																				
	M37902FEMHP	6144 bytes																																				
	M37902FGMHP	6144 bytes																																				
M37902FHMHP	12288 bytes																																					
M37902FJMHP	12288 bytes																																					
Flash memory (User ROM area)	M37902FCMHP	120 Kbytes																																				
	M37902FGMHP	248 Kbytes																																				
RAM	M37902FCMHP	4096 bytes																																				
	M37902FGMHP	6144 bytes																																				
★ Page 5, Notes 1:	<table border="1"> <tr><td rowspan="6">User ROM area</td><td>M37902F8MHP</td><td>4 blocks</td></tr> <tr><td>M37902FCMHP</td><td>5 blocks</td></tr> <tr><td>M37902FEMHP</td><td>6 blocks</td></tr> <tr><td>M37902FGMHP</td><td>7 blocks</td></tr> <tr><td>M37902FHMHP</td><td>9 blocks</td></tr> <tr><td>M37902FJMHP</td><td>11 blocks</td></tr> </table>	User ROM area	M37902F8MHP	4 blocks	M37902FCMHP	5 blocks	M37902FEMHP	6 blocks	M37902FGMHP	7 blocks	M37902FHMHP	9 blocks	M37902FJMHP	11 blocks	<table border="1"> <tr><td rowspan="2">User ROM area</td><td>M37902FCMHP</td><td>5 blocks</td></tr> <tr><td>M37902FGMHP</td><td>7 blocks</td></tr> </table>	User ROM area	M37902FCMHP	5 blocks	M37902FGMHP	7 blocks																		
User ROM area	M37902F8MHP		4 blocks																																			
	M37902FCMHP		5 blocks																																			
	M37902FEMHP		6 blocks																																			
	M37902FGMHP		7 blocks																																			
	M37902FHMHP		9 blocks																																			
	M37902FJMHP	11 blocks																																				
User ROM area	M37902FCMHP	5 blocks																																				
	M37902FGMHP	7 blocks																																				
★ Page 6, P4 ₀ –P4 ₇	<p>.....</p> <p>■ In microprocessor mode</p> <p>..... According to the register setting, P4₀–P4₄ also</p>	<p>.....</p> <p>■ In microprocessor mode</p> <p>..... According to the register setting, P4₀–P4₃ also</p>																																				
★ ———	Memory map of M37902F8MHP (Single-chip mode)	(Deleted)																																				
★ Page 9, Fig. 1	<p>Fig. 2. Memory map of M37902FCMHP (Single-chip mode)</p>	<p>Fig. 1. Memory map of M37902FCMHP (Single-chip mode)</p>																																				
★ ———	Memory map of M37902FEMHP (Single-chip mode)	(Deleted)																																				
★ ———	Memory map of M37902FHMHP (Single-chip mode)	(Deleted)																																				
★ ———	Memory map of M37902FJMHP (Single-chip mode)	(Deleted)																																				

Corrections and Supplementary Explanation for M37902Fxm Datasheet (REV.B) NO.3

Page	Error	Correction
★ Page 10, Fig. 2	Fig. 4. Memory map of M37902FGMHP (Single-chip mode) 	Fig. 2. Memory map of M37902FGMHP (Single-chip mode) 
★ Page 11, Fig. 7	address 00 ₁₆ , 01 ₁₆ 	
	address 19 ₁₆ 	
★ Page 12, Fig. 8	address A6 ₁₆ 	
	address AC ₁₆ , AD ₁₆ 	
★	M37902F8MHP : block configuration of internal flash memory	(Deleted)
	M37902FEMHP : block configuration of internal flash memory	(Deleted)
★ Page 13, Fig. 9	Fig. 10. M37902FCMHP : block configuration of internal flash memory	Fig. 9. M37902FCMHP : block configuration of internal flash memory
★ Page 14, Fig. 10	Fig. 12. M37902FGMHP : block configuration of internal flash memory	Fig. 10. M37902FGMHP : block configuration of internal flash memory
★	M37902FHMHP : block configuration of internal flash memory	(Deleted)
	M37902FJMHP : block configuration of internal flash memory	(Deleted)

Corrections and Supplementary Explanation for M37902FxM Datasheet (REV.B) NO.4

Page	Error	Correction																																																								
★ Page 15 DC Electrical Characteristics; AC Electrical Characteristics	(Vcc = 3.3 V ± 0.3 V, Ta = 0 to 60 °C, f(fsys) = 26 MHz (Note))	(Vcc = 3.3 V ± 0.3 V, Ta = 0 to 60 °C, f(fsys) = 20 MHz (Note))																																																								
★ Page 16, ABSOLUTE MAXIMUM RATINGS	<table border="1"> <thead> <tr> <th>Symbol</th> <th>Parameter</th> <th>Ratings</th> <th>Unit</th> </tr> </thead> <tbody> <tr> <td>Pd</td> <td>Power dissipation</td> <td>300</td> <td>mW</td> </tr> <tr> <td>Topr</td> <td>Operating temperature</td> <td></td> <td></td> </tr> </tbody> </table>	Symbol	Parameter	Ratings	Unit	Pd	Power dissipation	300	mW	Topr	Operating temperature			<table border="1"> <thead> <tr> <th>Symbol</th> <th>Parameter</th> <th>Ratings</th> <th>Unit</th> </tr> </thead> <tbody> <tr> <td>Pd</td> <td>Power dissipation</td> <td>400</td> <td>mW</td> </tr> <tr> <td>Topr</td> <td>Operating ambient temperature</td> <td></td> <td></td> </tr> </tbody> </table>	Symbol	Parameter	Ratings	Unit	Pd	Power dissipation	400	mW	Topr	Operating ambient temperature																																		
Symbol	Parameter	Ratings	Unit																																																							
Pd	Power dissipation	300	mW																																																							
Topr	Operating temperature																																																									
Symbol	Parameter	Ratings	Unit																																																							
Pd	Power dissipation	400	mW																																																							
Topr	Operating ambient temperature																																																									
★ Page 16, RECOMMENDED OPERATING CONDITIONS	<table border="1"> <thead> <tr> <th rowspan="2">Symbol</th> <th rowspan="2">Parameter</th> <th colspan="3">Limits</th> </tr> <tr> <th>Max.</th> <th>Typ.</th> <th>Min.</th> </tr> </thead> <tbody> <tr> <td>f(XIN)</td> <td>External clock input frequency (Note 2)</td> <td></td> <td></td> <td>26</td> </tr> <tr> <td>f(fsys)</td> <td>System clock frequency</td> <td></td> <td></td> <td>26</td> </tr> </tbody> </table> <p>2:, be sure that f(fsys) = 26 MHz or less.</p>	Symbol	Parameter	Limits			Max.	Typ.	Min.	f(XIN)	External clock input frequency (Note 2)			26	f(fsys)	System clock frequency			26	<table border="1"> <thead> <tr> <th rowspan="2">Symbol</th> <th rowspan="2">Parameter</th> <th colspan="3">Limits</th> </tr> <tr> <th>Max.</th> <th>Typ.</th> <th>Min.</th> </tr> </thead> <tbody> <tr> <td>f(XIN)</td> <td>External clock input frequency (Note 2)</td> <td></td> <td></td> <td>20</td> </tr> <tr> <td>f(fsys)</td> <td>System clock frequency</td> <td></td> <td></td> <td>20</td> </tr> </tbody> </table> <p>2:, be sure that f(fsys) = 20 MHz or less.</p>	Symbol	Parameter	Limits			Max.	Typ.	Min.	f(XIN)	External clock input frequency (Note 2)			20	f(fsys)	System clock frequency			20																				
Symbol	Parameter			Limits																																																						
		Max.	Typ.	Min.																																																						
f(XIN)	External clock input frequency (Note 2)			26																																																						
f(fsys)	System clock frequency			26																																																						
Symbol	Parameter	Limits																																																								
		Max.	Typ.	Min.																																																						
f(XIN)	External clock input frequency (Note 2)			20																																																						
f(fsys)	System clock frequency			20																																																						
★ Page 17, DC ELECTRICAL CHARACTERISTICS	<p>(Vcc = 3.3 V, Vss = 0 V, f(fsys) = 26 MHz (Note))</p> <table border="1"> <thead> <tr> <th rowspan="2">Symbol</th> <th rowspan="2">Test conditions</th> <th colspan="3">Limits</th> </tr> <tr> <th>Min.</th> <th>Typ.</th> <th>Max.</th> </tr> </thead> <tbody> <tr> <td>Icc</td> <td>f(fsys) = 26 MHz, CPU operates.</td> <td></td> <td>15.6</td> <td>31.2</td> </tr> </tbody> </table> <table border="1"> <tbody> <tr> <td>Icc</td> <td>.....</td> <td></td> <td></td> <td></td> </tr> <tr> <td></td> <td>Ta = 25 °C</td> <td></td> <td></td> <td>— μA</td> </tr> <tr> <td></td> <td>Ta = 85 °C</td> <td></td> <td></td> <td>— μA</td> </tr> </tbody> </table>	Symbol	Test conditions	Limits			Min.	Typ.	Max.	Icc	f(fsys) = 26 MHz, CPU operates.		15.6	31.2	Icc					Ta = 25 °C			— μA		Ta = 85 °C			— μA	<p>(Vcc = 3.3 V, Vss = 0 V, f(fsys) = 20 MHz (Note))</p> <table border="1"> <thead> <tr> <th rowspan="2">Symbol</th> <th rowspan="2">Test conditions</th> <th colspan="3">Limits</th> </tr> <tr> <th>Min.</th> <th>Typ.</th> <th>Max.</th> </tr> </thead> <tbody> <tr> <td>Icc</td> <td>f(fsys) = 20 MHz, CPU operates.</td> <td></td> <td>12</td> <td>24</td> </tr> </tbody> </table> <table border="1"> <tbody> <tr> <td>Icc</td> <td>.....</td> <td></td> <td></td> <td></td> </tr> <tr> <td></td> <td>Ta = 25 °C</td> <td></td> <td></td> <td>1 μA</td> </tr> <tr> <td></td> <td>Ta = 85 °C</td> <td></td> <td></td> <td>20 μA</td> </tr> </tbody> </table>	Symbol	Test conditions	Limits			Min.	Typ.	Max.	Icc	f(fsys) = 20 MHz, CPU operates.		12	24	Icc					Ta = 25 °C			1 μA		Ta = 85 °C			20 μA
Symbol	Test conditions			Limits																																																						
		Min.	Typ.	Max.																																																						
Icc	f(fsys) = 26 MHz, CPU operates.		15.6	31.2																																																						
Icc																																																									
	Ta = 25 °C			— μA																																																						
	Ta = 85 °C			— μA																																																						
Symbol	Test conditions	Limits																																																								
		Min.	Typ.	Max.																																																						
Icc	f(fsys) = 20 MHz, CPU operates.		12	24																																																						
Icc																																																									
	Ta = 25 °C			1 μA																																																						
	Ta = 85 °C			20 μA																																																						
★ Page 18, A-D CONVERTER CHARACTERISTICS; the minium value of tCONV	<table border="1"> <thead> <tr> <th rowspan="2">Symbol</th> <th rowspan="2">Test conditions</th> <th colspan="2">Limits</th> </tr> <tr> <th>Min.</th> <th>Max.</th> </tr> </thead> <tbody> <tr> <td>tCONV</td> <td>f(fsys) ≤ 26 MHz</td> <td>.....</td> <td>4.54</td> </tr> <tr> <td></td> <td></td> <td>.....</td> <td>1.89 (Note)</td> </tr> </tbody> </table>	Symbol	Test conditions	Limits		Min.	Max.	tCONV	f(fsys) ≤ 26 MHz	4.54			1.89 (Note)	<table border="1"> <thead> <tr> <th rowspan="2">Symbol</th> <th rowspan="2">Test conditions</th> <th colspan="2">Limits</th> </tr> <tr> <th>Min.</th> <th>Max.</th> </tr> </thead> <tbody> <tr> <td>tCONV</td> <td>f(fsys) ≤ 20 MHz</td> <td>.....</td> <td>5.90</td> </tr> <tr> <td></td> <td></td> <td>.....</td> <td>2.45 (Note)</td> </tr> </tbody> </table>	Symbol	Test conditions	Limits		Min.	Max.	tCONV	f(fsys) ≤ 20 MHz	5.90			2.45 (Note)																												
Symbol	Test conditions			Limits																																																						
		Min.	Max.																																																							
tCONV	f(fsys) ≤ 26 MHz	4.54																																																							
		1.89 (Note)																																																							
Symbol	Test conditions	Limits																																																								
		Min.	Max.																																																							
tCONV	f(fsys) ≤ 20 MHz	5.90																																																							
		2.45 (Note)																																																							
★ Page 19 PERIPHERAL DEVICE INPUT/OUTPUT TIMING	<p>(Vcc = 3.3 V ± 0.3 V, f(fsys) = 26 MHz, unless otherwise noted)</p> <p>* at f(fsys) = 26 MHz are shown in ().</p>	<p>(Vcc = 3.3 V ± 0.3 V, f(fsys) = 20 MHz, unless otherwise noted)</p> <p>* at f(fsys) = 20 MHz are shown in ().</p>																																																								

Corrections and Supplementary Explanation for M37902Fxm Datasheet (REV.B) NO.5

Page	Error	Correction																																				
★ Page 19, Timer A input; (Gating input in timer mode)	<table border="1"> <thead> <tr> <th rowspan="2">Symbol</th> <th rowspan="2">Parameter</th> <th colspan="2">Limits</th> </tr> <tr> <th>Min.</th> <th>Max.</th> </tr> </thead> <tbody> <tr> <td>$t_{c(TA)}$</td> <td>..... $f(f_{sys}) \leq 26\text{MHz}$</td> <td>$\frac{16 \times 10^9}{f(f_{sys})}$ (615)</td> <td></td> </tr> <tr> <td>$t_{w(TAH)}$</td> <td>..... $f(f_{sys}) \leq 26\text{MHz}$</td> <td>$\frac{8 \times 10^9}{f(f_{sys})}$ (307)</td> <td></td> </tr> <tr> <td>$t_{w(TAL)}$</td> <td>..... $f(f_{sys}) \leq 26\text{MHz}$</td> <td>$\frac{8 \times 10^9}{f(f_{sys})}$ (307)</td> <td></td> </tr> </tbody> </table> <p>Note: the count source = f2 at $f(f_{sys}) \leq 26\text{ MHz}$.</p>	Symbol	Parameter	Limits		Min.	Max.	$t_{c(TA)}$ $f(f_{sys}) \leq 26\text{MHz}$	$\frac{16 \times 10^9}{f(f_{sys})}$ (615)		$t_{w(TAH)}$ $f(f_{sys}) \leq 26\text{MHz}$	$\frac{8 \times 10^9}{f(f_{sys})}$ (307)		$t_{w(TAL)}$ $f(f_{sys}) \leq 26\text{MHz}$	$\frac{8 \times 10^9}{f(f_{sys})}$ (307)		<table border="1"> <thead> <tr> <th rowspan="2">Symbol</th> <th rowspan="2">Parameter</th> <th colspan="2">Limits</th> </tr> <tr> <th>Min.</th> <th>Max.</th> </tr> </thead> <tbody> <tr> <td>$t_{c(TA)}$</td> <td>..... $f(f_{sys}) \leq 20\text{MHz}$</td> <td>$\frac{16 \times 10^9}{f(f_{sys})}$ (800)</td> <td></td> </tr> <tr> <td>$t_{w(TAH)}$</td> <td>..... $f(f_{sys}) \leq 20\text{MHz}$</td> <td>$\frac{8 \times 10^9}{f(f_{sys})}$ (400)</td> <td></td> </tr> <tr> <td>$t_{w(TAL)}$</td> <td>..... $f(f_{sys}) \leq 20\text{MHz}$</td> <td>$\frac{8 \times 10^9}{f(f_{sys})}$ (400)</td> <td></td> </tr> </tbody> </table> <p>Note: the count source = f2 at $f(f_{sys}) \leq 20\text{ MHz}$.</p>	Symbol	Parameter	Limits		Min.	Max.	$t_{c(TA)}$ $f(f_{sys}) \leq 20\text{MHz}$	$\frac{16 \times 10^9}{f(f_{sys})}$ (800)		$t_{w(TAH)}$ $f(f_{sys}) \leq 20\text{MHz}$	$\frac{8 \times 10^9}{f(f_{sys})}$ (400)		$t_{w(TAL)}$ $f(f_{sys}) \leq 20\text{MHz}$	$\frac{8 \times 10^9}{f(f_{sys})}$ (400)	
Symbol	Parameter			Limits																																		
		Min.	Max.																																			
$t_{c(TA)}$ $f(f_{sys}) \leq 26\text{MHz}$	$\frac{16 \times 10^9}{f(f_{sys})}$ (615)																																				
$t_{w(TAH)}$ $f(f_{sys}) \leq 26\text{MHz}$	$\frac{8 \times 10^9}{f(f_{sys})}$ (307)																																				
$t_{w(TAL)}$ $f(f_{sys}) \leq 26\text{MHz}$	$\frac{8 \times 10^9}{f(f_{sys})}$ (307)																																				
Symbol	Parameter	Limits																																				
		Min.	Max.																																			
$t_{c(TA)}$ $f(f_{sys}) \leq 20\text{MHz}$	$\frac{16 \times 10^9}{f(f_{sys})}$ (800)																																				
$t_{w(TAH)}$ $f(f_{sys}) \leq 20\text{MHz}$	$\frac{8 \times 10^9}{f(f_{sys})}$ (400)																																				
$t_{w(TAL)}$ $f(f_{sys}) \leq 20\text{MHz}$	$\frac{8 \times 10^9}{f(f_{sys})}$ (400)																																				
★ Page 19, Timer A input; (External trigger input in one-shot pulse mode)	<table border="1"> <thead> <tr> <th rowspan="2">Symbol</th> <th rowspan="2">Parameter</th> <th colspan="2">Limits</th> </tr> <tr> <th>Min.</th> <th>Max.</th> </tr> </thead> <tbody> <tr> <td>$t_{c(TA)}$</td> <td>..... $f(f_{sys}) \leq 26\text{MHz}$</td> <td>$\frac{8 \times 10^9}{f(f_{sys})}$ (307)</td> <td></td> </tr> </tbody> </table>	Symbol	Parameter	Limits		Min.	Max.	$t_{c(TA)}$ $f(f_{sys}) \leq 26\text{MHz}$	$\frac{8 \times 10^9}{f(f_{sys})}$ (307)		<table border="1"> <thead> <tr> <th rowspan="2">Symbol</th> <th rowspan="2">Parameter</th> <th colspan="2">Limits</th> </tr> <tr> <th>Min.</th> <th>Max.</th> </tr> </thead> <tbody> <tr> <td>$t_{c(TA)}$</td> <td>..... $f(f_{sys}) \leq 20\text{MHz}$</td> <td>$\frac{8 \times 10^9}{f(f_{sys})}$ (400)</td> <td></td> </tr> </tbody> </table>	Symbol	Parameter	Limits		Min.	Max.	$t_{c(TA)}$ $f(f_{sys}) \leq 20\text{MHz}$	$\frac{8 \times 10^9}{f(f_{sys})}$ (400)																	
Symbol	Parameter			Limits																																		
		Min.	Max.																																			
$t_{c(TA)}$ $f(f_{sys}) \leq 26\text{MHz}$	$\frac{8 \times 10^9}{f(f_{sys})}$ (307)																																				
Symbol	Parameter	Limits																																				
		Min.	Max.																																			
$t_{c(TA)}$ $f(f_{sys}) \leq 20\text{MHz}$	$\frac{8 \times 10^9}{f(f_{sys})}$ (400)																																				
★ Page 21, Timer B input; (Pulse period measurement mode), (Pulse width measurement mode)	<table border="1"> <thead> <tr> <th rowspan="2">Symbol</th> <th rowspan="2">Parameter</th> <th colspan="2">Limits</th> </tr> <tr> <th>Min.</th> <th>Max.</th> </tr> </thead> <tbody> <tr> <td>$t_{c(TB)}$</td> <td>..... $f(f_{sys}) \leq 26\text{MHz}$</td> <td>$\frac{16 \times 10^9}{f(f_{sys})}$ (615)</td> <td></td> </tr> <tr> <td>$t_{w(TBH)}$</td> <td>..... $f(f_{sys}) \leq 26\text{MHz}$</td> <td>$\frac{8 \times 10^9}{f(f_{sys})}$ (307)</td> <td></td> </tr> <tr> <td>$t_{w(TBL)}$</td> <td>..... $f(f_{sys}) \leq 26\text{MHz}$</td> <td>$\frac{8 \times 10^9}{f(f_{sys})}$ (307)</td> <td></td> </tr> </tbody> </table> <p>Note: the count source = f2 at $f(f_{sys}) \leq 26\text{ MHz}$.</p>	Symbol	Parameter	Limits		Min.	Max.	$t_{c(TB)}$ $f(f_{sys}) \leq 26\text{MHz}$	$\frac{16 \times 10^9}{f(f_{sys})}$ (615)		$t_{w(TBH)}$ $f(f_{sys}) \leq 26\text{MHz}$	$\frac{8 \times 10^9}{f(f_{sys})}$ (307)		$t_{w(TBL)}$ $f(f_{sys}) \leq 26\text{MHz}$	$\frac{8 \times 10^9}{f(f_{sys})}$ (307)		<table border="1"> <thead> <tr> <th rowspan="2">Symbol</th> <th rowspan="2">Parameter</th> <th colspan="2">Limits</th> </tr> <tr> <th>Min.</th> <th>Max.</th> </tr> </thead> <tbody> <tr> <td>$t_{c(TB)}$</td> <td>..... $f(f_{sys}) \leq 20\text{MHz}$</td> <td>$\frac{16 \times 10^9}{f(f_{sys})}$ (800)</td> <td></td> </tr> <tr> <td>$t_{w(TBH)}$</td> <td>..... $f(f_{sys}) \leq 20\text{MHz}$</td> <td>$\frac{8 \times 10^9}{f(f_{sys})}$ (400)</td> <td></td> </tr> <tr> <td>$t_{w(TBL)}$</td> <td>..... $f(f_{sys}) \leq 20\text{MHz}$</td> <td>$\frac{8 \times 10^9}{f(f_{sys})}$ (400)</td> <td></td> </tr> </tbody> </table> <p>Note: the count source = f2 at $f(f_{sys}) \leq 20\text{ MHz}$.</p>	Symbol	Parameter	Limits		Min.	Max.	$t_{c(TB)}$ $f(f_{sys}) \leq 20\text{MHz}$	$\frac{16 \times 10^9}{f(f_{sys})}$ (800)		$t_{w(TBH)}$ $f(f_{sys}) \leq 20\text{MHz}$	$\frac{8 \times 10^9}{f(f_{sys})}$ (400)		$t_{w(TBL)}$ $f(f_{sys}) \leq 20\text{MHz}$	$\frac{8 \times 10^9}{f(f_{sys})}$ (400)	
Symbol	Parameter			Limits																																		
		Min.	Max.																																			
$t_{c(TB)}$ $f(f_{sys}) \leq 26\text{MHz}$	$\frac{16 \times 10^9}{f(f_{sys})}$ (615)																																				
$t_{w(TBH)}$ $f(f_{sys}) \leq 26\text{MHz}$	$\frac{8 \times 10^9}{f(f_{sys})}$ (307)																																				
$t_{w(TBL)}$ $f(f_{sys}) \leq 26\text{MHz}$	$\frac{8 \times 10^9}{f(f_{sys})}$ (307)																																				
Symbol	Parameter	Limits																																				
		Min.	Max.																																			
$t_{c(TB)}$ $f(f_{sys}) \leq 20\text{MHz}$	$\frac{16 \times 10^9}{f(f_{sys})}$ (800)																																				
$t_{w(TBH)}$ $f(f_{sys}) \leq 20\text{MHz}$	$\frac{8 \times 10^9}{f(f_{sys})}$ (400)																																				
$t_{w(TBL)}$ $f(f_{sys}) \leq 20\text{MHz}$	$\frac{8 \times 10^9}{f(f_{sys})}$ (400)																																				
★ Page 23, READY, HOLD TIMING; Timing requirements, Switching characteristics	(Vcc = 3.3 V ± 0.3 V, $f(f_{sys}) = 26\text{ MHz}$, unless otherwise noted)	(Vcc = 3.3 V ± 0.3 V, $f(f_{sys}) = 20\text{ MHz}$, unless otherwise noted)																																				
★ Pages 25,26,27, External bus timing; (Timing requirements), (Switching characteristics)																																						
★ Page 26, External bus timing; (Timing requirements)	<table border="1"> <thead> <tr> <th rowspan="2">Symbol</th> <th rowspan="2">Parameter</th> <th colspan="2">Limits</th> </tr> <tr> <th>Min.</th> <th>Max.</th> </tr> </thead> <tbody> <tr> <td>$t_{c(in)}$</td> <td>External clock</td> <td>38</td> <td></td> </tr> </tbody> </table>	Symbol	Parameter	Limits		Min.	Max.	$t_{c(in)}$	External clock	38		<table border="1"> <thead> <tr> <th rowspan="2">Symbol</th> <th rowspan="2">Parameter</th> <th colspan="2">Limits</th> </tr> <tr> <th>Min.</th> <th>Max.</th> </tr> </thead> <tbody> <tr> <td>$t_{c(in)}$</td> <td>External clock</td> <td>50</td> <td></td> </tr> </tbody> </table>	Symbol	Parameter	Limits		Min.	Max.	$t_{c(in)}$	External clock	50																	
Symbol	Parameter			Limits																																		
		Min.	Max.																																			
$t_{c(in)}$	External clock	38																																				
Symbol	Parameter	Limits																																				
		Min.	Max.																																			
$t_{c(in)}$	External clock	50																																				