

**PLEASE CHECK WWW.MOLEX.COM FOR LATEST PART INFORMATION**

**Part Number:** **0191640083**  
**Status:** **Active**  
**Description:** Perma-Seal™ Ring Tongue Terminal for 8 AWG Wire, Stud Size 5/16

**Documents:**  
[Drawing \(PDF\)](#) [RoHS Certificate of Compliance \(PDF\)](#)

**Agency Certification**

CSA LR18689  
 UL E32244

**General**

Product Family Ring and Spade Terminals  
 Series 19164  
 Crimp Quality Equipment Yes  
 Mil-Spec N/A  
 Product Name Perma-Seal™  
 Type Ring

**Physical**

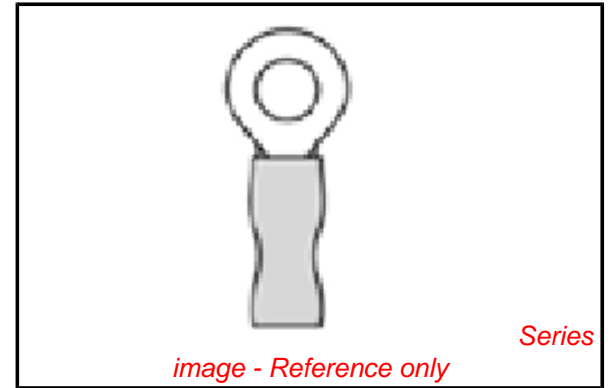
Barrel Type Closed  
 Flammability 94V-0  
 Insulation NiAc™  
 Material - Plating Mating Tin  
 Packaging Type Bag  
 Stud Size 5/16" (M8)  
 Wire Insulation Diameter 9.53mm (.375")  
 Wire Size AWG 8  
 Wire Size mm² 7.96

**Material Info**

Old Part Number SD-651-56

**Reference - Drawing Numbers**

Sales Drawing SD-19164-023



**EU RoHS**

**ELV and RoHS Compliant**  
**REACH SVHC Contains SVHC: No**  
**Halogen-Free Status Not Reviewed**

**China RoHS**



**Need more information on product environmental compliance?**

Email [productcompliance@molex.com](mailto:productcompliance@molex.com)  
 For a multiple part number RoHS Certificate of Compliance, [click here](#)

Please visit the [Contact Us](#) section for any non-product compliance questions.

**Search Parts in this Series**

19164Series

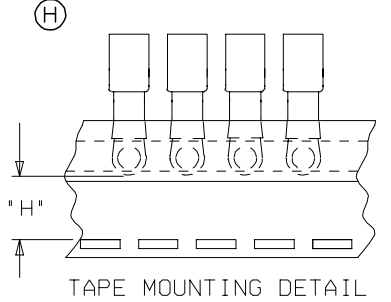
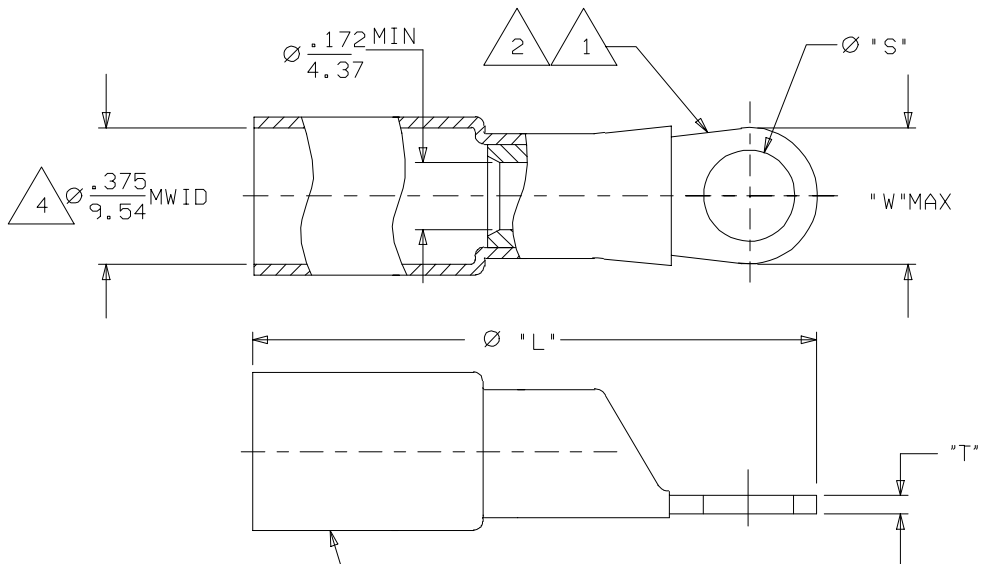
**Application Tooling | FAQ**

*Tooling specifications and manuals are found by selecting the products below. Crimp Height Specifications are then contained in the Application Tooling Specification document.*

**Global**

Description	Product #
Hand Crimp Tool	<a href="#">0640013900</a>
Crimp Head for the AT-200™ Pneumatic Hand Tool	<a href="#">0640050100</a>
Crimp Head for the AT-200™ Pneumatic Hand Tool	<a href="#">0640055400</a>

MATERIAL NUMBER	ENGINEERING NUMBER	MATERIAL NUMBER ON TAPE	ENGINEERING NUMBER ON TAPE	"L" MAX	"S" ±.010 (0.25)	"W" MAX	"H" ±.010 (0.25)	"T" REF
191640889	SD-656-08	N/A	N/A	1.60 (40.6)	.173 (4.39)	.38 (9.7)	N/A	.045/1.14
191640080	SD-656-10	N/A	N/A	1.60 (40.6)	.214 (5.44)	.38 (9.7)	N/A	.045/1.14
191640081	SD-651-14	191640603	SD-651-14T	1.79 (45.5)	.280 (7.11)	.60 (15.2)	.348 (8.84)	.045/1.14
191640083	SD-651-56	191640605	SD-651-56T	1.79 (45.5)	.343 (8.71)	.60 (15.2)	.348 (8.84)	.045/1.14
191640082	SD-652-38	N/A	N/A	2.05 (51.1)	.405 (10.29)	.82 (20.8)	N/A	.050/1.27
191640839	SD-652-76	N/A	N/A	2.05 (52.1)	.468 (11.89)	.82 (20.8)	N/A	.050/1.27
191640457	SD-652-12	N/A	N/A	2.05 (52.1)	.530 (13.46)	.82 (20.8)	N/A	.050/1.27



NOTE(S):

- 1 TERMINAL MATERIAL: COPPER ALLOY.
- 2 FINISH: ELECTRO TIN PLATE.
- 3 INSULATION MATERIAL: HEAT SHRINKABLE TUBING WITH HOTMELT ASHESIVE INNER LINER. COLOR: RED.
- 4 MWID - MAXIMUM WIRE INSULATION DIAMETER.
- (H) 5. ASSEMBLY IS ROHS COMPLIANT.

CHARTED DIM. T & ADDED ROHS EC NO: ETC2007-0019 DRW: NEHLE CHKD: JMACNEIL APPR: JMACNEIL	2007/08/22 2007/09/11 2007/09/19	QUALITY SYMBOLS $\nabla=0$ $\nabla=0$	GENERAL TOLERANCES (UNLESS SPECIFIED) <table border="1"> <thead> <tr> <th></th> <th>mm</th> <th>INCH</th> </tr> </thead> <tbody> <tr> <td>4 PLACES</td> <td>±---</td> <td>±---</td> </tr> <tr> <td>3 PLACES</td> <td>±---</td> <td>±---</td> </tr> <tr> <td>2 PLACES</td> <td>±---</td> <td>±---</td> </tr> <tr> <td>1 PLACE</td> <td>±---</td> <td>±---</td> </tr> <tr> <td colspan="3">ANGULAR ±---°</td> </tr> </tbody> </table>		mm	INCH	4 PLACES	±---	±---	3 PLACES	±---	±---	2 PLACES	±---	±---	1 PLACE	±---	±---	ANGULAR ±---°			DIMENSION STYLE IN/MM DRAWN BY: R DEROSS DATE: 2005/01/04 CHECKED BY: R DEROSS DATE: 2005/01/04 APPROVED BY: R DEROSS DATE: 2005/01/04	SCALE 4:1 DESIGN UNITS INCH THIRD ANGLE PROJECTION	TITLE RING TONGUE TERMINAL PERMA-SEAL SD-600-SERIES 8 AWG
		mm	INCH																					
	4 PLACES	±---	±---																					
	3 PLACES	±---	±---																					
2 PLACES	±---	±---																						
1 PLACE	±---	±---																						
ANGULAR ±---°																								
DRAFT WHERE APPLICABLE MUST REMAIN WITHIN DIMENSIONS			MATERIAL NO. SEE CHART	MOLEX INCORPORATED	SHEET NO. 1 OF 1																			
			SIZE B	THIS DRAWING CONTAINS INFORMATION THAT IS PROPRIETARY TO MOLEX INCORPORATED AND SHOULD NOT BE USED WITHOUT WRITTEN PERMISSION																				
			DOCUMENT NO. SD-19164-023																					