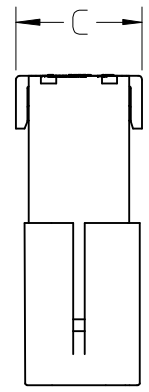
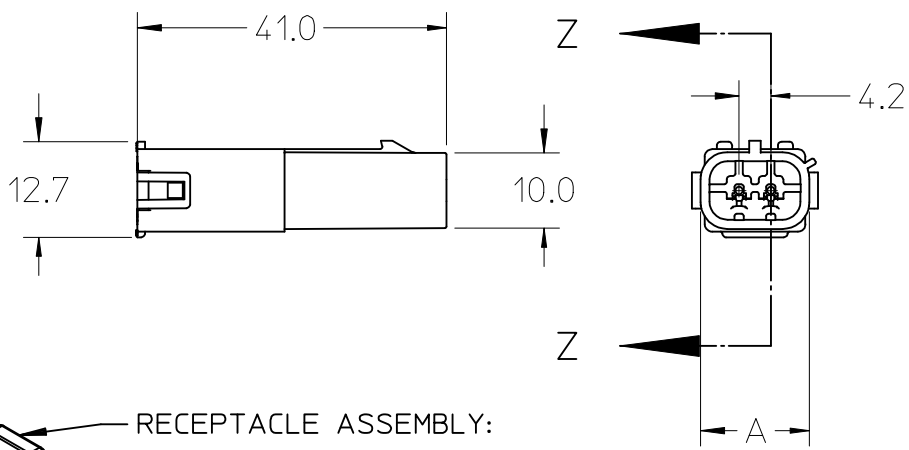


MATERIAL NUMBER	CKT SIZE	INSULATION DIA (MM)	SEAL COLOR	DIM A	DIM C
46065-0032	2	2.52 / 2.81	DARK ORANGE	14.4	16.7
46065-0033	3	2.52 / 2.81	DARK ORANGE	18.6	20.9
46065-0034	4	2.52 / 2.81	DARK ORANGE	22.8	25.1

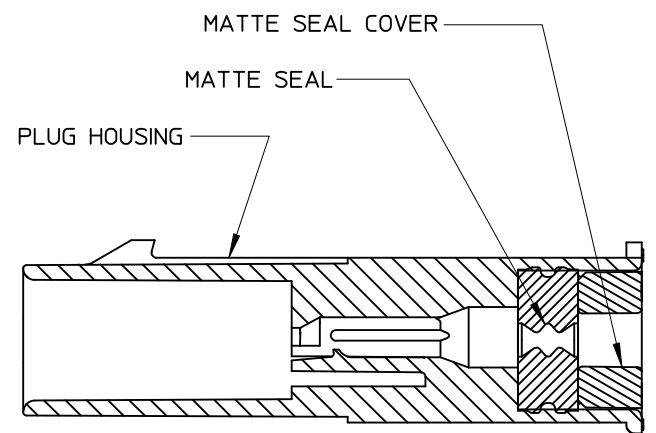


- NOTES:
1. MATERIALS: PLUG HOUSING= POLYESTER: BLACK.
SEALS: SILICONE RUBBER - SEE CHART.
COVER: POLYESTER: BLACK
 2. PRODUCT SPECIFICATION: PS-46064-001.
 3. PACKAGING SPECIFICATION: PK-46065-001.
 4. THIS ASSEMBLY ACCEPTS CRIMP TERMINALS:
46056-0002 (TIN)
46056-0003 (SELECTIVE GOLD)
 5. SEE SHEET TWO FOR TERMINAL ORIENTATION.
 6. MATES WITH RECEPTACLE ASSEMBLY NUMBER 46064-*

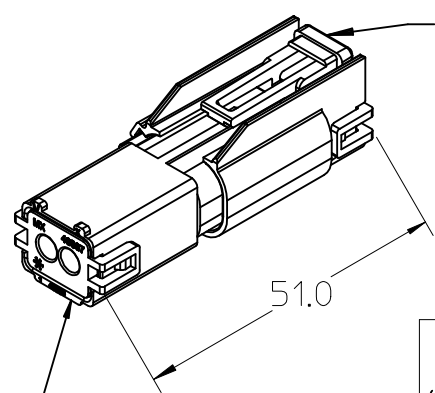
CRIMP ORIENTATION SYMBOL
SEE SHEET 2



CIRCUIT NO. 1
IDENTIFICATION



SECTION Z-Z
SCALE 2:1



RECEPTACLE ASSEMBLY:
46064-*

PLUG ASSEMBLY:
46065-*

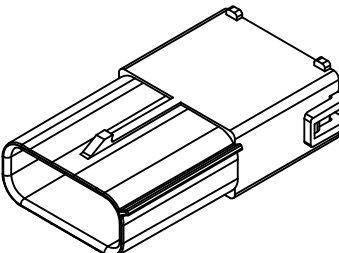
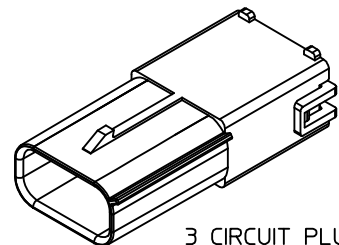
MATED ASSEMBLIES

UPDATED VIEWS	EC NO: UCP2009-2405	2009/03/31	DESCRIPTION
	DRWN:BBWILSON	2009/03/31	
	CHKD:		
	APPR:JCOMERCI	2009/04/01	
REV			

GENERAL TOLERANCES (UNLESS SPECIFIED)	
	mm INCH
4 PLACES	± --- ± ---
3 PLACES	± --- ± ---
2 PLACES	± 0.25 ± ---
1 PLACE	± 0.38 ± ---
ANGULAR ± 1/2°	
DRAFT WHERE APPLICABLE MUST REMAIN WITHIN DIMENSIONS	

DIMENSION STYLE MM ONLY	
DRAWN BY BBWILSON	DATE
CHECKED BY	DATE
APPROVED BY	DATE
MATERIAL NO.	

SCALE 1:1	DESIGN UNITS METRIC	THIRD ANGLE PROJECTION
TITLE SEALED MINIFIT H2O PLUG ASSEMBLY		
molex MOLEX INCORPORATED		
DOCUMENT NO. SD-46065-001	SHEET NO. 1 OF 2	



PLUG TERMINAL
46056

MATTE SEAL COVER

MATTE SEAL

CRIMP ORIENTATION SYMBOL
SEE DETAIL1

DETAIL1
SCALE 4:1

TERMINALS TO BE INSERTED INTO
HOUSING WITH THE CRIMP SECTION
MATCHING THE CRIMP ORIENTATION
SYMBOL ON THE HOUSING.

SEE SHEET 1	DESCRIPTION
EC NO: UCP2009-2405	2009/03/31
DRWN:BBWILSON	2009/03/31
CHKD:	
APPR:JCOMERCI	2009/04/01
REV	

GENERAL TOLERANCES (UNLESS SPECIFIED)		
	mm	INCH
4 PLACES	± ---	± ---
3 PLACES	± ---	± ---
2 PLACES	± 0.25	± ---
1 PLACE	± 0.38	± ---
ANGULAR ±1/2°		
DRAFT WHERE APPLICABLE MUST REMAIN WITHIN DIMENSIONS		

DIMENSION STYLE MM ONLY	
DRAWN BY BBWILSON	DATE
CHECKED BY	DATE
APPROVED BY	DATE
MATERIAL NO. SEE CHART	
SIZE A	

SCALE 1:1	DESIGN UNITS METRIC	THIRD ANGLE PROJECTION
TITLE SEALED MINIFIT H2O PLUG ASSEMBLY		
molex MOLEX INCORPORATED		
DOCUMENT NO. SD-46065-001	SHEET NO. 2 OF 2	