

**NOTES**

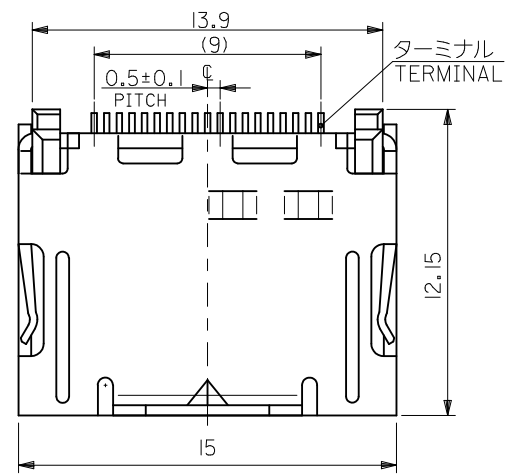
1. 一般公差：±0.5  
GENERAL TOLERANCES: ±0.5
2. 反り：2MAX.  
WARP: 2MAX.
3. 1トレイの梱包数：60個  
QUANTITY IN ONE TRAY: 60 PCS.
4. 標準梱包数：300個  
STANDARD PACKAGING QUANTITY: 300 PCS.
5. トレイは、180° 反転させ交互に重ねる。  
TRAYS SHOULD BE PILED ALTERNATELY.

500254-1942
500254-1932
500254-1941
500254-1931
適用製品番号 APPLICABLE PART NO.

MATERIAL  
  
POLYSTYRENE SHEET (t=1.0)  
WHITE

ADD NEW P/N ECNO: S2012-0578 DRWN: ZENG CHKD: JESSIECHUA APPR: NAGESHKN C2	DESCRIPTION 2012/03/01 2012/03/15 2012/03/19	GENERAL TOLERANCES (UNLESS SPECIFIED)		DIMENSION STYLE MM ONLY		SCALE	DESIGN UNITS	THIRD ANGLE PROJECTION TRAY FOR HDMI CONN. R/A WITH FLANGE -LEAD FREE- MOLEX INCORPORATED DOCUMENT NO. SD-500254-004 SHEET NO. 1 OF 1
		10 UNDER	± ---	DRAWN BY	DATE	TITLE	MOLEX 59410-0097 SD-500254-004	
		10 OVER 30 UNDER	± ---	T. HARUYAMA	'04/02/25	TRAY FOR HDMI CONN. R/A WITH FLANGE -LEAD FREE- MOLEX INCORPORATED		
		30 OVER	± ---	M. ENOMOTO	'04/02/25			
ANGULAR	± --- °	M. ENOMOTO	'04/02/25					
DRAFT WHERE APPLICABLE MUST REMAIN WITHIN DIMENSIONS		MATERIAL NO.		MATERIAL NO.		MATERIAL NO.		
		59410-0097		59410-0097		59410-0097		
		SD-500254-004		SD-500254-004		SD-500254-004		
		THIS DRAWING CONTAINS INFORMATION THAT IS PROPRIETARY TO MOLEX INCORPORATED AND SHOULD NOT BE USED WITHOUT WRITTEN PERMISSION		THIS DRAWING CONTAINS INFORMATION THAT IS PROPRIETARY TO MOLEX INCORPORATED AND SHOULD NOT BE USED WITHOUT WRITTEN PERMISSION		THIS DRAWING CONTAINS INFORMATION THAT IS PROPRIETARY TO MOLEX INCORPORATED AND SHOULD NOT BE USED WITHOUT WRITTEN PERMISSION		

F



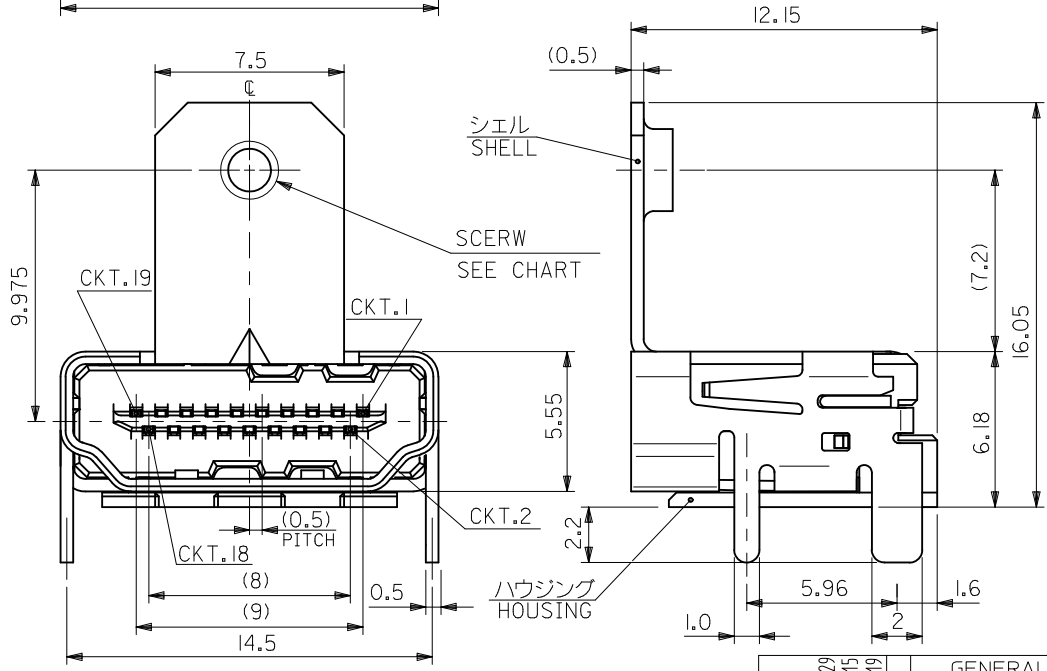
注記 1. 材質  
 NOTE MATERIAL  
 ハウジング: ガラス入り耐熱樹脂  
 HOUSING: GLASS FULLED HEAT-RESISTED RESIN, UL94V-0  
 ターミナル: 銅合金  
 TERMINAL: COPPER ALLOY  
 シェル: 銅合金  
 SHELL: COPPER ALLOY

2. めっき仕様  
 PLATING  
 ターミナル: <接点部> 金めっき 0.76μm (A) : 0.76 MICROMETER MINIMUM.  
 TERMINAL <CONTACT AREA> GOLD(Au) (A) : 0.76 MICROMETER MINIMUM.  
 (B) : GOLD FLASH OVER Pd/Ni  
 <半田付け部> 錫めっき 1.0μm (B) : 1.0 MICROMETER MINIMUM.  
 <SOLDER TAIL AREA> TIN(Sn) 1.0 MICROMETER MINIMUM.  
 <下地> ニッケルめっき 2.0μm (C) : 2.0 MICROMETER MINIMUM.  
 <UNDER-PLATING> NICKEL(Ni) 2 MICROMETER MINIMUM.

シェル: 錫めっき 1.0μm (D) : 1.0 MICROMETER MINIMUM.  
 SHELL: TIN(Sn) 1.0 MICROMETER MINIMUM.  
 下地ニッケルめっき 1.27μm (E) : 1.27 MICROMETER MINIMUM.  
 UNDER-PLATING NICKEL (Ni) 1.27 MICROMETER MINIMUM.

E

D



3. ネジ締めトルク  
 SCREWING TORQUE

	推奨ネジ締めトルク RECOMMENDED SCREWING TORQUE	最大許容ネジ締めトルク TORQUE LIMIT	PLATING
500254-1931	0.343N-m {3.5kgf-cm} MAXIMUM.	0.392N-m {4.0kgf-cm} MAXIMUM.	2-(A)
500254-1941	0.294N-m {3.0kgf-cm} MAXIMUM.	0.343N-m {3.5kgf-cm} MAXIMUM.	
500254-1932	0.343N-m {3.5kgf-cm} MAXIMUM.	0.392N-m {4.0kgf-cm} MAXIMUM.	2-(B)
500254-1942	0.294N-m {3.0kgf-cm} MAXIMUM.	0.343N-m {3.5kgf-cm} MAXIMUM.	

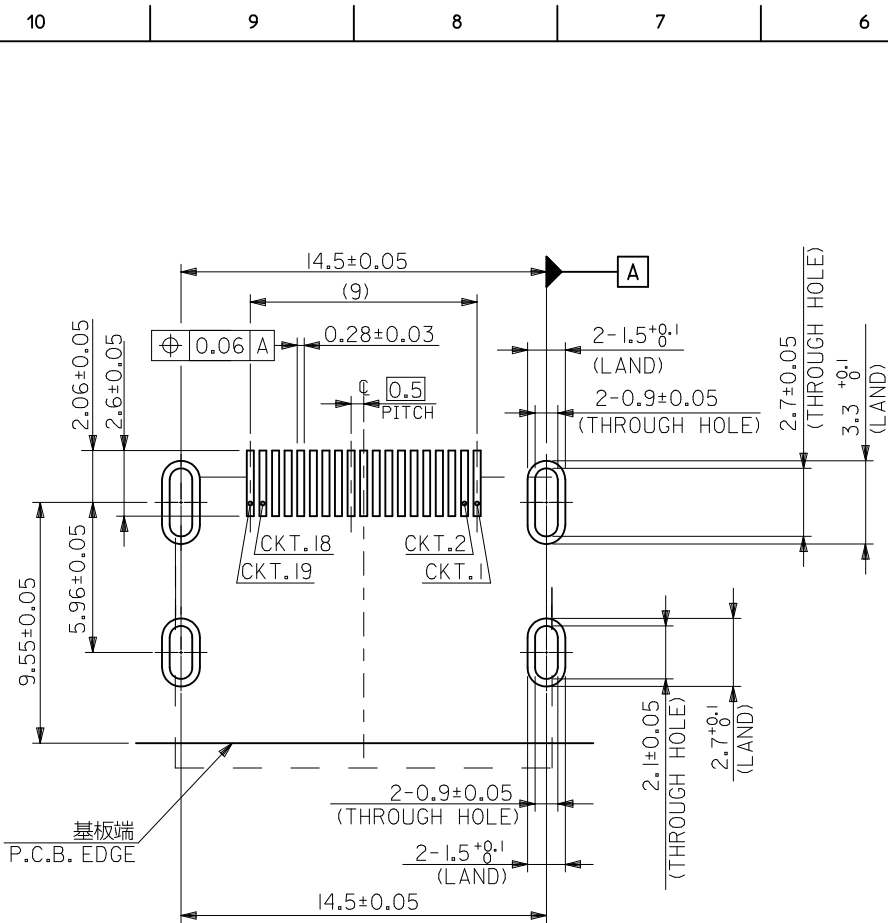
4. テール部の平坦度: 0.1 MAXIMUM.  
 COPLANALITY OF TAIL: 0.1 MAXIMUM.

No.4-40UNC	500254-1942	19
M3x0.5	500254-1932	
No.4-40UNC	500254-1941	19
M3x0.5	500254-1931	
SCERW	TRAY PACKAGING	CIRCUITS
	MATERIAL NO.	

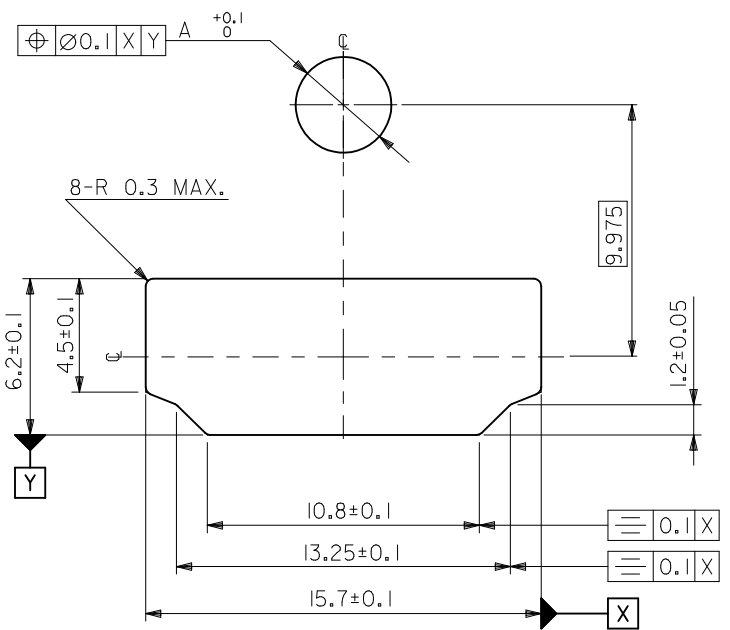
B

A

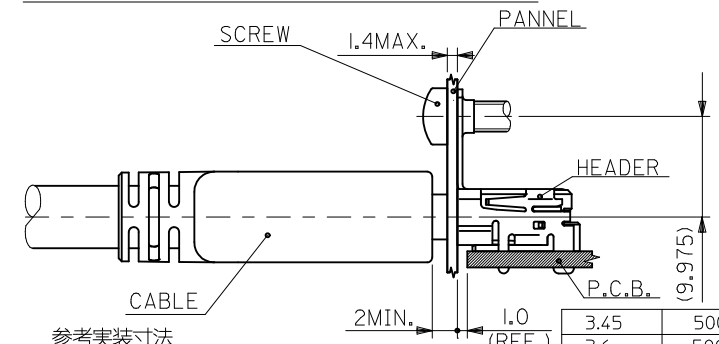
ADD NEW P/N EC NO: S2012-0578 DRWN: ZENG 2012/07/29 CHKD: JESSIECHUA 2012/03/15 APPR: NAGESHKN 2012/03/19	GENERAL TOLERANCES (UNLESS SPECIFIED)		DIMENSION STYLE MM ONLY		SCALE	DESIGN UNITS METRIC	THIRD ANGLE PROJECTION	
	10 UNDER	±0.2	DRAWN BY K. TOYODA	DATE '04/03/26	TITLE	HDMI RIGHT ANGLE HEADER ASSY WITH FLANGE -LEAD FREE- MOLEX INCORPORATED		
	10 OVER 30 UNDER	±0.25	CHECKED BY K. ASAKAWA	DATE '04/03/26	DOCUMENT NO. SD-500254-006			
	30 OVER	±0.3	APPROVED BY S. ICHIKAWA	DATE '04/03/26	THIS DRAWING CONTAINS INFORMATION THAT IS PROPRIETARY TO MOLEX INCORPORATED AND SHOULD NOT BE USED WITHOUT WRITTEN PERMISSION			
REV C2	DESCRIPTION ANGULAR ±3 ° DRAFT WHERE APPLICABLE MUST REMAIN WITHIN DIMENSIONS							



推奨基板寸法  
RECOMMENDED P.C.B. PATTERN LAYOUT (±1.6±0.15)  
(COMPONENT SIDE)



参考パネル寸法  
REFERENCE PANEL CUT OUT DIMENSION.



参考実装寸法  
REFERENCE MOUNT DIMENSION.  
(SCALE 2:1)

3.45	500254-1942
3.6	500254-1932
3.45	500254-1941
3.6	500254-1931
"A"	TRAY PACKAGE

ADD NEW P/N EC NO: S2012-0578 DRWN: JZENG 2012/07/29 CHKD: JESSIECHUA 2012/03/15 APPR: NAGESHKN 2012/03/19	DESCRIPTION REV: C2	GENERAL TOLERANCES (UNLESS SPECIFIED)		DIMENSION STYLE MM ONLY		SCALE	DESIGN UNITS METRIC	THIRD ANGLE PROJECTION	
		10 UNDER	±0.2	DRAWN BY K. TOYODA	DATE '04/03/26	TITLE HDMI RIGHT ANGLE HEADER ASSY WITH FLANGE -LEAD FREE-			
		10 OVER 30 UNDER	±0.25	CHECKED BY K. ASAKAWA	DATE '04/03/26	MOLEX INCORPORATED			
		30 OVER	±0.3	APPROVED BY S. ICHIKAWA	DATE '04/03/26	DOCUMENT NO. SD-500254-006			
ANGULAR ±3 ° DRAFT WHERE APPLICABLE MUST REMAIN WITHIN DIMENSIONS		MATERIAL NO. SEE CHART		SHEET NO. 2 OF 2					