

PLEASE CHECK WWW.MOLEX.COM FOR LATEST PART INFORMATION

Part Number: [0850421304](#)
Status: **Active**
Overview: [din_41612](#)
Description: 2.54mm (.100") Pitch DIN 41612 Receptacle, Style C, 96 Circuits

Documents:

[3D Model](#) [RoHS Certificate of Compliance \(PDF\)](#)
[Drawing \(PDF\)](#)

Agency Certification

CSA LR19980
 UL E29179

General

Product Family Backplane Connectors
 Series [85042](#)
 Application Daughtercard
 Component Type PCB Receptacle
 Overview [din_41612](#)
 Product Name IEC 603-2/DIN 41612
 Style C

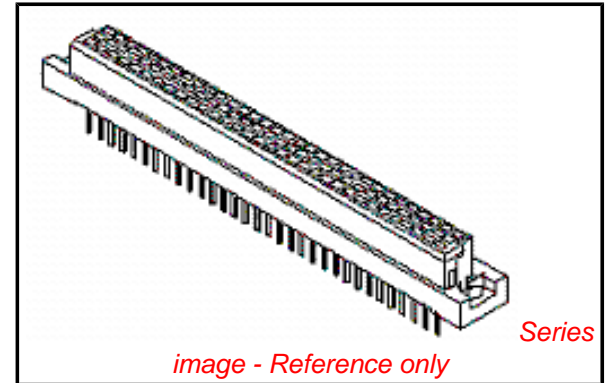
Physical

Circuits (Loaded) 96
 Circuits (maximum) 96
 Circuits Detail Rows A, B, & C
 Durability (mating cycles max) 500
 First Mate / Last Break No
 Flammability 94V-0
 Guide to Mating Part No
 Keying to Mating Part Yes
 Number of Columns 32
 Number of Pairs Open Pin Field
 Number of Rows 3
 Orientation Vertical
 PC Tail Length (in) 0.114 In
 PC Tail Length (mm) 2.90 mm
 PCB Locator No
 PCB Retention Yes
 Packaging Type Tray
 Pitch - Mating Interface (in) 0.100 In
 Pitch - Mating Interface (mm) 2.54 mm
 Pitch - Term. Interface (in) 0.100 In
 Pitch - Term. Interface (mm) 2.54 mm
 Polarized to PCB Yes
 Stackable No
 Surface Mount Compatible (SMC) No
 Temperature Range - Operating -55°C to +125°C

Electrical

Current - Maximum per Contact 1A
 Data Rate 622.0 Mbps
 Real Signals (per 25mm) 29
 Shielded No
 Voltage - Maximum 250V AC (RMS)

Material Info



EU RoHS

**ELV and RoHS
 Compliant**
REACH SVHC
 Not Reviewed
**Halogen-Free
 Status**

China RoHS



**Need more information on product
 environmental compliance?**

Email productcompliance@molex.com
 For a multiple part number RoHS Certificate of
 Compliance, [click here](#)

Please visit the [Contact Us](#) section for any
 non-product compliance questions.

Search Parts in this Series

[85042Series](#)

Mates With

DIN 41612 Headers [85003](#) , [85013](#)

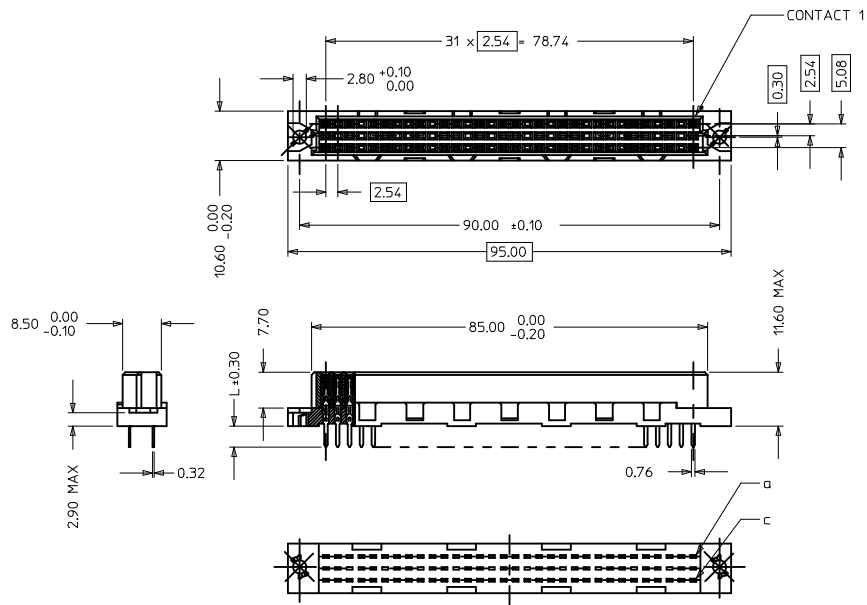
Reference - Drawing Numbers

Sales Drawing

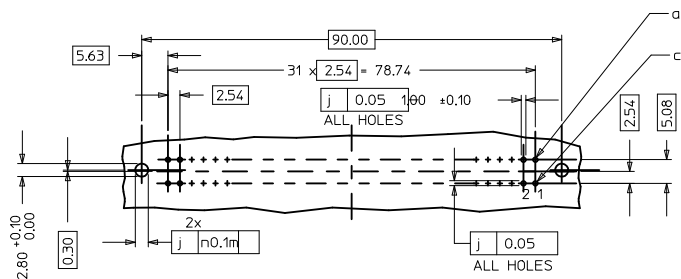
SD-85042-001

This document was generated on 05/17/2010

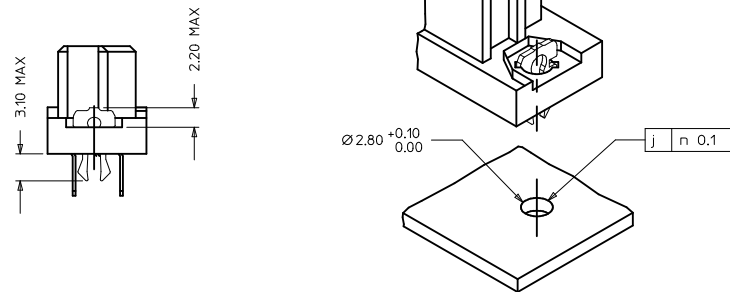
PLEASE CHECK WWW.MOLEX.COM FOR LATEST PART INFORMATION



RECOMMENDED PCB LAYOUT
COMPONENT SIDE



WITH MOUNTING CLIPS



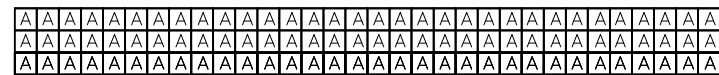
NOTES:

- 1) MATERIALS: THERMOPLASTIC POLYESTER, GLASS FILLED, UL94V-0, COLOUR: PEBBLE GREY RAL 7032
TERMINAL - PHOSPHOR BRONZE
MOUNTING CLIP: STEEL
- 2) FINISH: TERMINAL:-
CONTACT AREA
A. PERFORMANCE LEVEL 1: SELECTIVE GOLD (Au), THICKNESS = 1.27 MICROMETER OVER NICKEL THICKNESS = 1.8 MICROMETER
B. PERFORMANCE LEVEL 2: SELECTIVE GOLD (Au), THICKNESS = 0.8 MICROMETER OVER NICKEL THICKNESS = 1.8 MICROMETER
C. PERFORMANCE LEVEL 3: SELECTIVE GOLD (Au), THICKNESS = 0.3 MICROMETER OVER NICKEL THICKNESS = 1.8 MICROMETER
TERMINATION AREA:
SELECTIVE TIN, THICKNESS = 5 MICROMETER OVER NICKEL, THICKNESS 1.8 MICROMETER OVERALL.
- 3). MOUNTING CLIP:
TIN (Sn), THICKNESS = 5-10 MICROMETER OVER NICKEL (Ni) THICKNESS = 2.5 MICROMETER.
- 4). FOR NON MOUNTING CLIP OPTION, CONNECTOR TO BE SECURED WITH RIVETS: 2 TABULAR RIVETS 2.5 X 0.3 ..DIN 7340 SCREWS: 2 CHEESEHEAD SCREWS M2.5 X ..DIN 84 AND 2 HEXAGONAL NUTS M2.5 DIN 934.
- 5). MATERIAL No, BATCH CODE, UL AND CSA MARKING TO BE PRINTED ON THE CONNECTOR.
- 6). CUT FACES OF TIP WITHOUT PLATING PERMITTED.

EC NO: I2010-0265 2009/12/11 DRWN: SNS01 CHKD: KRASAD APPR: KRASAD 2009/12/28 2010/01/06	QUALITY SYMBOLS ▽=0 ▽=0	GENERAL TOLERANCES (UNLESS SPECIFIED)		DIMENSION STYLE MM ONLY	SCALE 4:1	DESIGN UNITS METRIC	THIRD ANGLE PROJECTION	
		m	INCH	DRAWN BY PRASHANT	DATE 2004/12/07	TITLE ASSEMBLY, DIN 41612 C FEMALE, 96 POS		
REV 2	DESCRIPTION	4 PLACES	± ---	± ---	CHECKED BY SSUDHIR	DATE 2004/12/07	MATERIAL NO. SEE CHART	
		3 PLACES	± 0.005	± ---	APPROVED BY SSUDHIR	DATE 2004/12/07		DOCUMENT NO. SD-85042-001
		2 PLACES	± 0.1	± ---	MOLEX INCORPORATED			
		1 PLACE	± 0.15	± ---				SHEET NO. 1 OF 2
ANGULAR ± 2 °		DRAFT WHERE APPLICABLE MUST REMAIN WITHIN DIMENSIONS		THIS DRAWING CONTAINS INFORMATION THAT IS PROPRIETARY TO MOLEX INCORPORATED AND SHOULD NOT BE USED WITHOUT WRITTEN PERMISSION				

MATERIAL No	PERF LEVEL	PLATING	CONTACT SEQUENCE/ROW	DIM "L" mm	MOUNTING CLIP NO.	FLUX PROOF
850421249	1	Au+Ni	1,2,3...32 a+c	4.5	NO	NO
850420385	2	Au+Ni	1,2,3...32 a+b+c	2.9	NO	NO
850420191	2	Au+Ni	1,2,3...32 a+c	4.5	NO	NO
850420270	2	Au+Ni	1,2,3...32 a+b+c	4.5	NO	NO
850420397	2	Au+Ni	2,4,6...32 a+c	4.5	NO	NO
850421043	1	Au+Ni	1,2,3...32 a+b+c	4.5	NO	NO
850421079	2	Au+Ni	1,2,3...32 a+b+c	2.9	YES	NO
850421213	2	Au+Ni	1,2,3...32 a+b+c	4.5	YES	NO
850421304	1	Au+Ni	1,2,3...32 a+b+c	2.9	NO	NO
850422347	2	Au+Ni	1,2,3...32 a+b+c	2.9	NO	YES
850422529	2	Au+Ni	1,2,3...32 a+c	2.9	YES	NO
850423316	2	Au+Ni	2,4,6...32 a+c	2.9	YES	YES
850424696	2	Au+Ni	1,2,3...32 a+c	4.5	YES	NO
850424763	2	Au+Ni	2,4,6...32 a+c	2.9	NO	NO
850426232	2	Au+Ni	1,2,3...32 a+b+c	4.5	YES	NO
850429017	3	Au+Ni	1,2,3...32 a+b+c	4.5	YES	NO

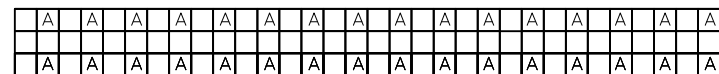
VIEW ON MATING SIDE (96PINS)



VIEW ON MATING SIDE (64PINS)

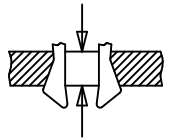


VIEW ON MATING SIDE (32PINS)



CLIPS SNAP UNDER
PC - BOARD OF
1.5 to 1.8 mm
Fm <= 60N
Fr >= 20N
Fr >= 200N, WHEN
SOLDERED IN
PLATED - THROUGH
FIXING HOLES

Fm = MOUNTING FORCE
(FOR ONE CONNECTOR = 2 CLIPS)



FR = RETENTION FORCE
(FOR ONE CONNECTOR = 2 CLIPS)

CLIPS STICK IN
FIXING HOLE OF
PC - BOARDS
OVER 1.8 mm
Fm <= 60N
FR >= 16N



EC NO: I2010-0265 2009/12/11 DRWN: SNG01 2009/12/28 CHKD: KRASAD APPR: KRASAD 2010/01/06	QUALITY SYMBOLS ▽=0 ▽=0	GENERAL TOLERANCES (UNLESS SPECIFIED)		DIMENSION STYLE MM ONLY		SCALE 1:1	DESIGN UNITS METRIC	THIRD ANGLE PROJECTION
		4 PLACES ± --- ± --- 3 PLACES ± 0.05 ± --- 2 PLACES ± 0.1 ± --- 1 PLACE ± 0.15 ± ---	mm INCH ± --- ± --- ± 0.05 ± --- ± 0.1 ± --- ± 0.15 ± ---	DRAWN BY PRASHANT	DATE 2004/12/07	TITLE ASSEMBLY, DIN 41612, C FEMALE, 96 POS		
DRAFT WHERE APPLICABLE MUST REMAIN WITHIN DIMENSIONS		APPROVED BY PRASHANT		DATE 2004/12/07		MOLEX INCORPORATED		SHEET NO. 2 OF 2
SIZE A 2		THIS DRAWING CONTAINS INFORMATION THAT IS PROPRIETARY TO MOLEX INCORPORATED AND SHOULD NOT BE USED WITHOUT WRITTEN PERMISSION						