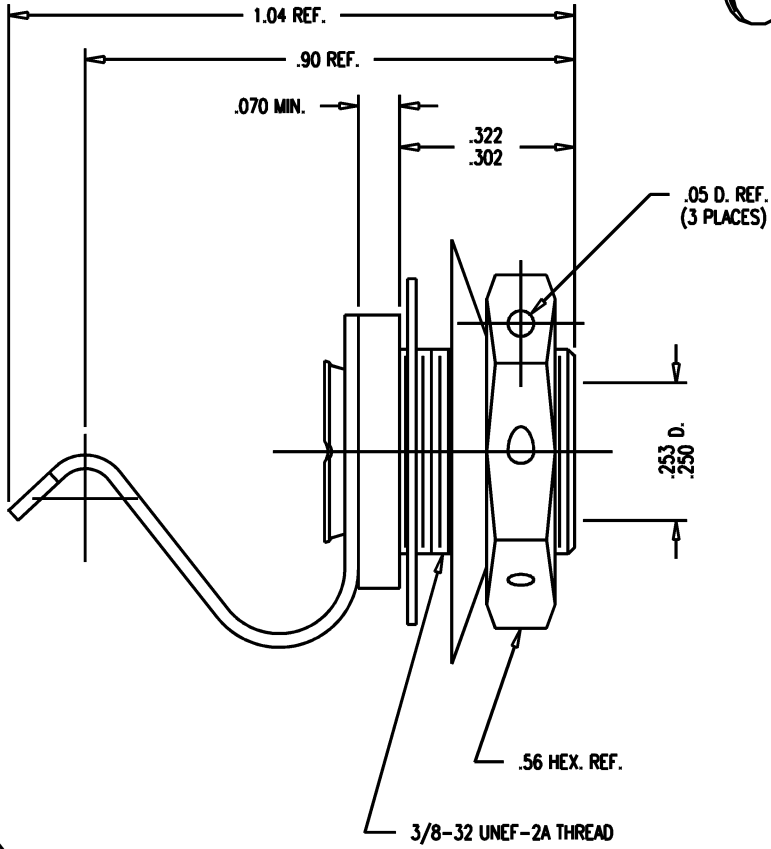
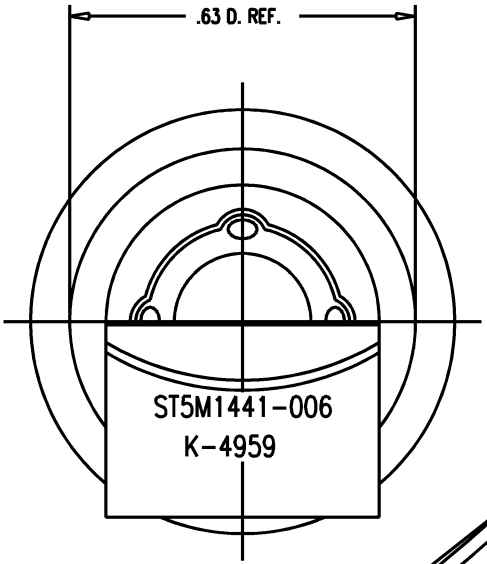


# GSD

K-4959



- NOTES:**
- MATERIALS:**  
 SPRING CONTACT: PHOSPHOR BRONZE, ALLOY 510  
 SLEEVE: BRASS, ASTM-B16  
 FLAT WASHER: ALUMINUM, ALLOY 2024-T3 PER QQ-A-225  
 BELLEVILLE WASHER: CHROME-MOLYBDNUM STEEL  
 HEX NUT: STAINLESS STEEL PER QQ-S-763-300 SERIES
  - MARK PACKAGE:** ST5M1441-006  
 KINGS K-4959  
 YRWK (DATE CODE)
  - FINISHES:**  
 SLEEVE: CADMIUM PLATE PER QQ-P-416  
 FLAT WASHER: CHROMATE COATING PER MIL-C-5541  
 HEX NUT: PASSIVATE PER QQ-P-35

**REVISIONS**

ISSUE	CHANGES
0	ER 36091 ME 02/09/95
1	CN 39150 E TML 09/13/04
2	CN 39191 C HVN 11/09/04

K-4959S2

SCALE 4:1

APPROX SURFACE AREA

WAS: E-182310

USED ON

REF: McD. DOUGLAS ST5M1441-006 REV. M

## JACK, GROUNDING

DRAWN ME DATE 02/08/95

DESIGN CT DATE 02/09/95

APPR. JT DATE 02/23/95

**KINGS**  
 ELECTRONICS CO., INC.  
 ROCK HILL, SOUTH CAROLINA 29730

# GSD

K-4959