

**SOLID STATE DEVICES, INC.**

14830 Valley View Blvd \* La Mirada, Ca 90638  
 Phone: (562) 404-7855 \* Fax: (562) 404-1773

**SDA304A  
 thru  
 SDA304G**

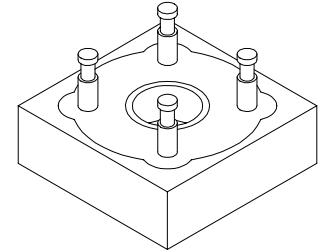
**10 AMPS  
 50 - 1000 VOLTS  
 STANDARD RECOVERY  
 SINGLE PHASE BRIDGE**

**Designer's Data Sheet**

**FEATURES:**

- PIV 50 to 1000 Volts
- Average Output 10A.
- Reverse Recovery 5  $\mu$ sec Max
- Avalanche Breakdown
- Small Size
- Hermetically Sealed Rectifier Cells
- Easy PC Mounting
- Maximum Thermal Resistance 5.0°C/W
- -55 to +150°C Operating and Storage Temperature
- TX and TXV Level Screening Available

SDA304



**ELECTRICAL CHARACTERISTICS**

Part Number	Peak Inverse Voltage (per Leg)	Average Rectified Current	Maximum Surge Current (1 Cycle)	Maximum Forward Voltage (per Leg)	Maximum Reverse Current (@ PIV)	
Symbol	PIV	I <sub>O</sub>	I <sub>FSM</sub>	V <sub>F</sub>	I <sub>R</sub>	
Units	Volts	Amps	Amps	Volts	$\mu$ A	
Conditions	25°C	85°C	25°C	I <sub>F</sub> = 3A, T <sub>A</sub> = 25°C	25°C	100°C
SDA304A	50	10	75	1.10	5.0	100
SDA304B	100	10	75	1.10	5.0	100
SDA304C	200	10	75	1.10	5.0	100
SDA304D	400	10	75	1.10	5.0	100
SDA304E	600	10	75	1.10	5.0	100
SDA304F	800	10	75	1.10	5.0	100
SDA304G	1000	10	75	1.10	5.0	100

**NOTES:**

1. Maximum forward voltage measured with instantaneous forward pulse of 300 $\mu$ sec minimum.
2. Unless otherwise specified: T<sub>A</sub> = 25°C.

**NOTE:** All specifications are subject to change without notification. SCD's for these devices should be reviewed by SSDI prior to release.

**DATA SHEET # : RA00114** [DataSheet4U.com](http://DataSheet4U.com)

# SDA304A thru SDA304G

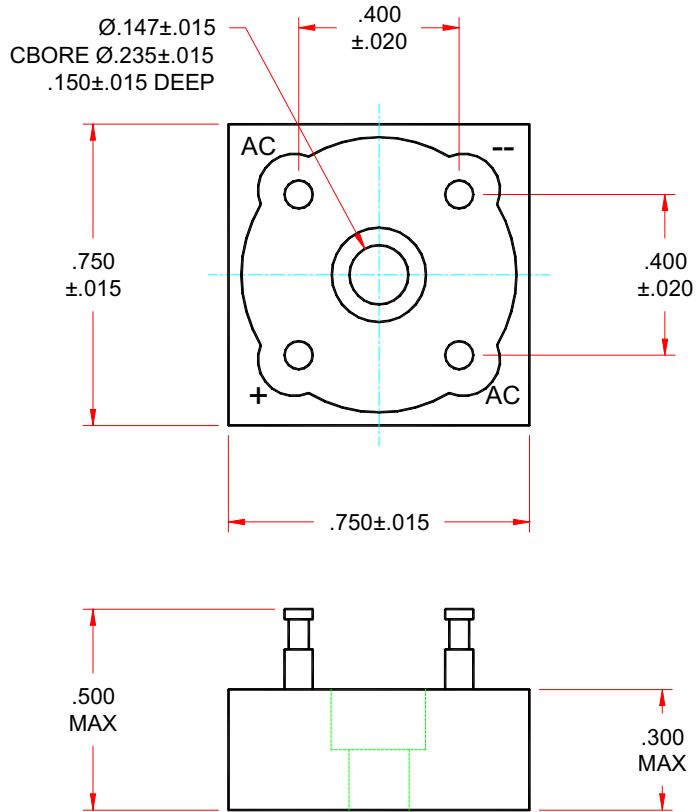
PRELIMINARY



**SOLID STATE DEVICES, INC.**

14830 Valley View Blvd \* La Mirada, Ca 90638  
Phone: (562) 404-7855 \* Fax: (562) 404-1773

## PACKAGE OUTLINE: SDA304



### NOTES:

Consult manufacturing for operating curves.