



YSC-SL815

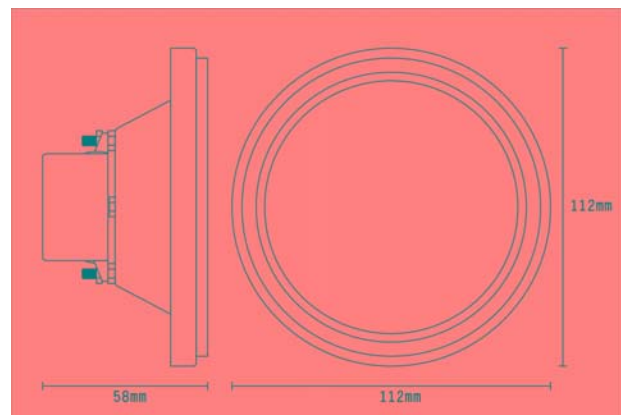


## I. FEATURES

- Variety of colors (W/WW)
- Compatible with AR-111 module, and take the place of traditional AR-111 spotlight bulb
- Standard AR-111 type; no need to change the pins
- Lightness (170 g)
- Low voltage operation at 110V-240V
- Aluminum material which provide excellent ability of heat conduction
- Beam angle at 120 degrees
- Safety Standard: CE
- No UV

## II. Typical Applications

- Entertainment and commercial lighting
- Architectural lighting
- Landscape lighting
- Household / Security / Garden lighting
- Boutique / Decoration lighting



## III. Dimensions (mm)

## IV. SPECIFICATION

- Operating Voltage: 100V - 240V AC, 50/60 Hz
- Pin Type: AR-111 Module
- Bottom base: PC, flammability: V2 level
- Heat sink: Aluminum alloy appearance, 55~65°C after heat balance (Tj = 25°C)
- Operating Temp. :-10~40 °C

<b>Power</b>	<b>Led</b>	<b>Lumi</b>	<b>Beam Angles</b>	<b>Color</b>	<b>Part No.</b>
15W	12W	476-572	120°	Warm White	SL-815 /WW
15W	12W	680-816	120°	White	SL-815 /W

### Wavelength

Operating temperatures: 25°C

Color	Dominant Wavelength		Half-Width (nm)
	Min. (nm)	Max. (nm)	
Red	620	630	25
Green	520	530	35
Blue	460	470	25
Amber	585	595	25
White	6000K	7000K	
Warm White	2800K	3800K	