

PLEASE CHECK WWW.MOLEX.COM FOR LATEST PART INFORMATION

Part Number: [02-08-1003](#)
Status: **Active**
Overview: [MLX™ Power Connectors](#)
Description: MLX Crimp Terminal 42024, 14-20 AWG, Reel Tin (Sn)

Documents:

[3D Model](#) [Product Specification PS-42022-0001 \(PDF\)](#)
[Drawing \(PDF\)](#) [RoHS Certificate of Compliance \(PDF\)](#)

General

Product Family	Crimp Terminals
Series	42024
Application	Power
Crimp Quality Equipment	Yes
Overview	MLX™ Power Connectors
Product Name	MLX™

Physical

Gender	Female
Material - Metal	Phosphor Bronze
Material - Plating Mating	Tin
Material - Plating Termination	Tin
Packaging Type	Reel
Plating min - Mating	0.508µm
Plating min - Termination	0.508µm
Termination Interface: Style	Crimp or Compression
Wire Insulation Diameter	1.52-3.30mm
Wire Size AWG	14, 16, 18, 20
Wire Size mm²	N/A

Material Info

Old Part Number 42024-1B1

Reference - Drawing Numbers

Product Specification PS-42022-0001
 Sales Drawing SD-42024-****

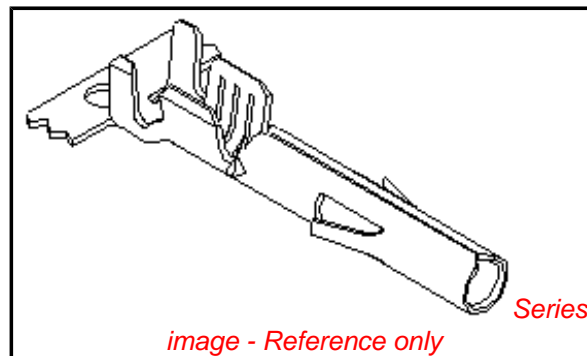


image - Reference only

EU RoHS

ELV and RoHS Compliant
REACH SVHC Contains SVHC: No
Low-Halogen Status Low-Halogen

China RoHS



Need more information on product environmental compliance?

Email productcompliance@molex.com
 For a multiple part number RoHS Certificate of Compliance, [click here](#)

Please visit the [Contact Us](#) section for any non-product compliance questions.

Search Parts in this Series

[42024Series](#)

Application Tooling | FAQ

Tooling specifications and manuals are found by selecting the products below. Crimp Height Specifications are then contained in the Application Tooling Specification document.

Global

Description	Product #
FineAdjust™ Applicator for Crimp Terminals, 14-20 AWG Wire with 2.41-2.95mm Diameter Insulation	0639009800
FineAdjust™ Applicator for Crimp Terminals, 14-20 AWG Wire with 2.65-3.30mm Diameter Insulation	0639009900
Hand Crimp Tool for Pin and Socket Crimp Terminals	0638116800

FineAdjust™ Applicator for Crimp Terminals, 14-20 AWG Wire with 2.08-2.50mm Diameter Insulation	<u>0639007500</u>
T2 Terminator Tooling Die for Crimp Terminals, 14-20 AWG Wire	<u>0639109800</u>
T2 Terminator Tooling Die for Crimp Terminals, 14-20 AWG Wire	<u>0639109900</u>
Tooling Kit for Mini- Fit Compliant Pin Insertion	<u>0639107500</u>
Extraction Tool	<u>0011010168</u>

This document was generated on 04/30/2012

PLEASE CHECK WWW.MOLEX.COM FOR LATEST PART INFORMATION