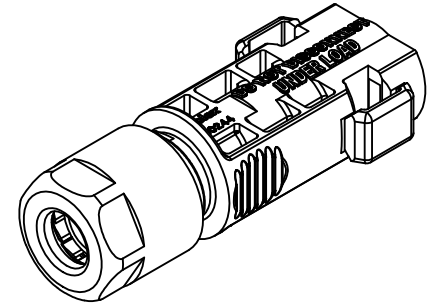
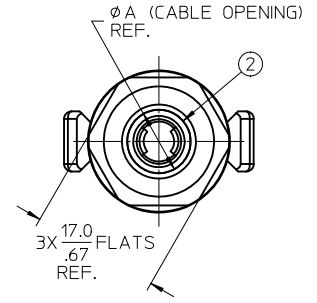
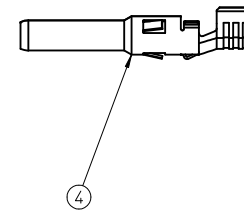
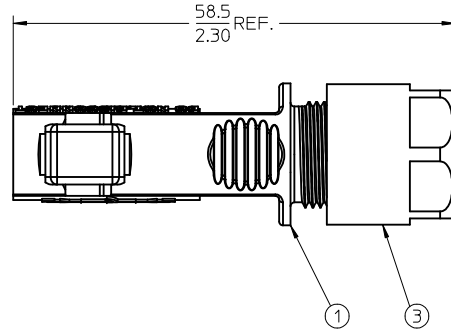
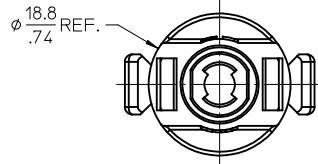
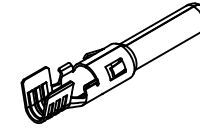


1302441204	2.5 mm <sup>2</sup> / 14 AWG	5.8-6.7 / .23-.26	7.0 / .28
1302441202	4.0-6.0 mm <sup>2</sup> / 12-10 AWG	6.7-7.8 / .26-.31	8.4 / .33
<b>MATERIAL NO.</b>	<b>CABLE SIZE</b>	<b>CABLE Ø RANGE</b>	<b>DIM. "A"</b>



12-10 AWG SHOWN



NOTES:

1. MATERIALS: SEE TABLE
2. FINISHES: SEE TABLE
3. PRODUCT SPECIFICATION: PS-130244-001
4. PACKAGING SPECIFICATION: PK-130244-022
5. MATES WITH: 1302441201 OR 1302441203
6. ASSEMBLY IS ROHS COMPLIANT.
7. 5 ASSEMBLIES PER KIT.

ITEM	QTY	DESCRIPTION	MATERIAL	FINISH
4	1	CONTACT, PIN	COPPER ALLOY	SELECTIVE SILVER
3	1	CABLE RETENTION NUT	POLYCARBONATE (PC)	BLACK
2	1	CABLE GROMMET	SILICONE	TRANSLUCENT
1	1	PIN HOUSING	POLYCARBONATE (PC)	BLACK

PRELIMINARY EC NO: WNA2011-0336 DRAWN: CLYORK CHKD: DTITUS APPR: DTITUS	2010/12/15	DESCRIPTION 2010/12/17	QUALITY SYMBOLS ▽=0 ▽=0
	REV		3

GENERAL TOLERANCES (UNLESS SPECIFIED)

	mm	INCH
4 PLACES	± .10	± .004
3 PLACES	± .05	± .002
2 PLACES	± .03	± .010
1 PLACE	± .25	± .010

ANGULAR ± 2 °

DRAFT WHERE APPLICABLE  
MUST REMAIN  
WITHIN DIMENSIONS

DIMENSION STYLE MM/IN	
DRAWN BY CLYORK	DATE 2010/08/13
CHECKED BY DTITUS	DATE 2010/08/13
APPROVED BY DTITUS	DATE 2010/12/06
MATERIAL NO. SEE CHART	
SIZE C	THIS DRAWING CONTAINS INFORMATION THAT IS PROPRIETARY TO MOLEX INCORPORATED AND SHOULD NOT BE USED WITHOUT WRITTEN PERMISSION

SCALE 2:1	DESIGN UNITS METRIC	THIRD ANGLE PROJECTION
TITLE PIN ASSEMBLY KIT, PV SOLAR DC CONNECTOR, 14-10 AWG		
MOLEX MOLEX INCORPORATED		
DOCUMENT NO. SD-130244-022	SHEET NO. 1 OF 1	