

# SHINDENGEN

## Super Fast Recovery Rectifiers

Dual

# S20LC20U

## 200V 20A

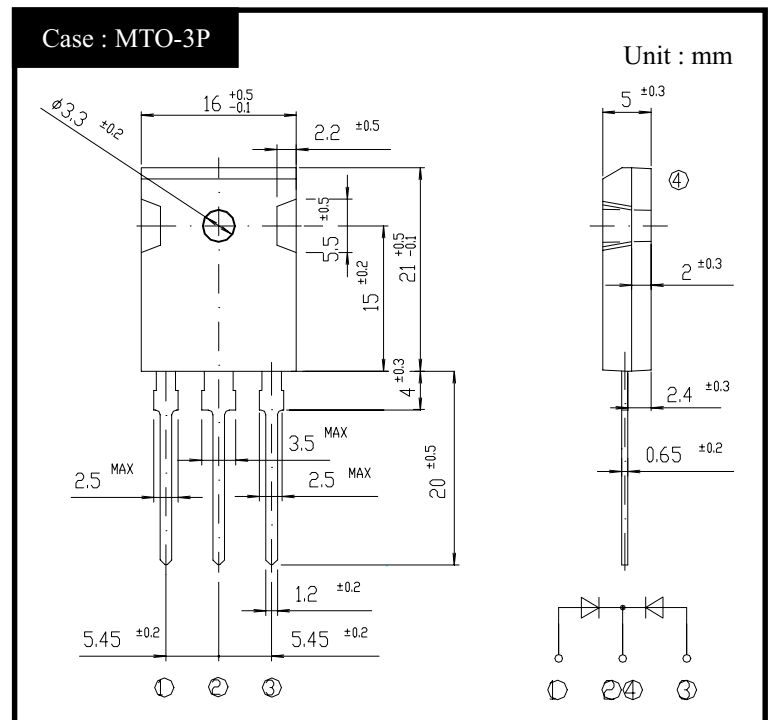
### FEATURES

- Low noise
- trr35ns
- Small  $\theta_{jc}$
- Dielectric strength 2kV guaranteed

### APPLICATION

- Switching power supply
- Free Wheel
- Home Appliances, Office Equipment, Factory Automation

### OUTLINE DIMENSIONS



### RATINGS

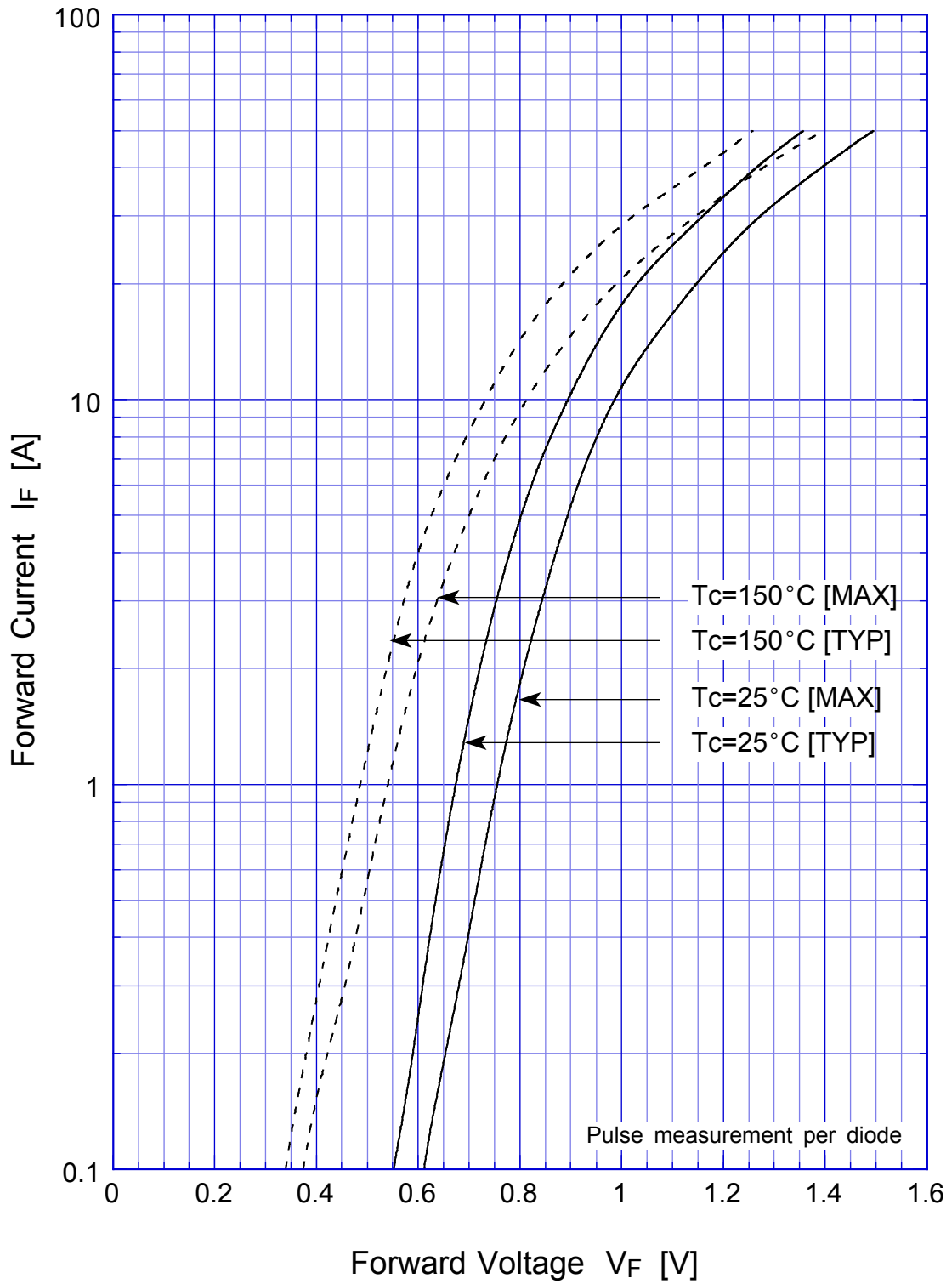
#### ● Absolute Maximum Ratings (If not specified $T_c=25^\circ\text{C}$ )

Item	Symbol	Conditions	Ratings	Unit
Storage Temperature	$T_{stg}$		-40~150	$^\circ\text{C}$
Operating Junction Temperature	$T_j$		150	$^\circ\text{C}$
Maximum Reverse Voltage	$V_{RM}$		200	V
Average Rectified Forward Current	$I_O$	50Hz sine wave, R-load, Rating for each diode $I_O/2$ , $T_c=123^\circ\text{C}$	20	A
Peak Surge Forward Current	$I_{FSM}$	50Hz sine wave, Non-repetitive 1 cycle peak value, $T_j=25^\circ\text{C}$	140	A
Mounting Torque	TOR	(Recommended torque: 0.5N·m)	0.8	N·m

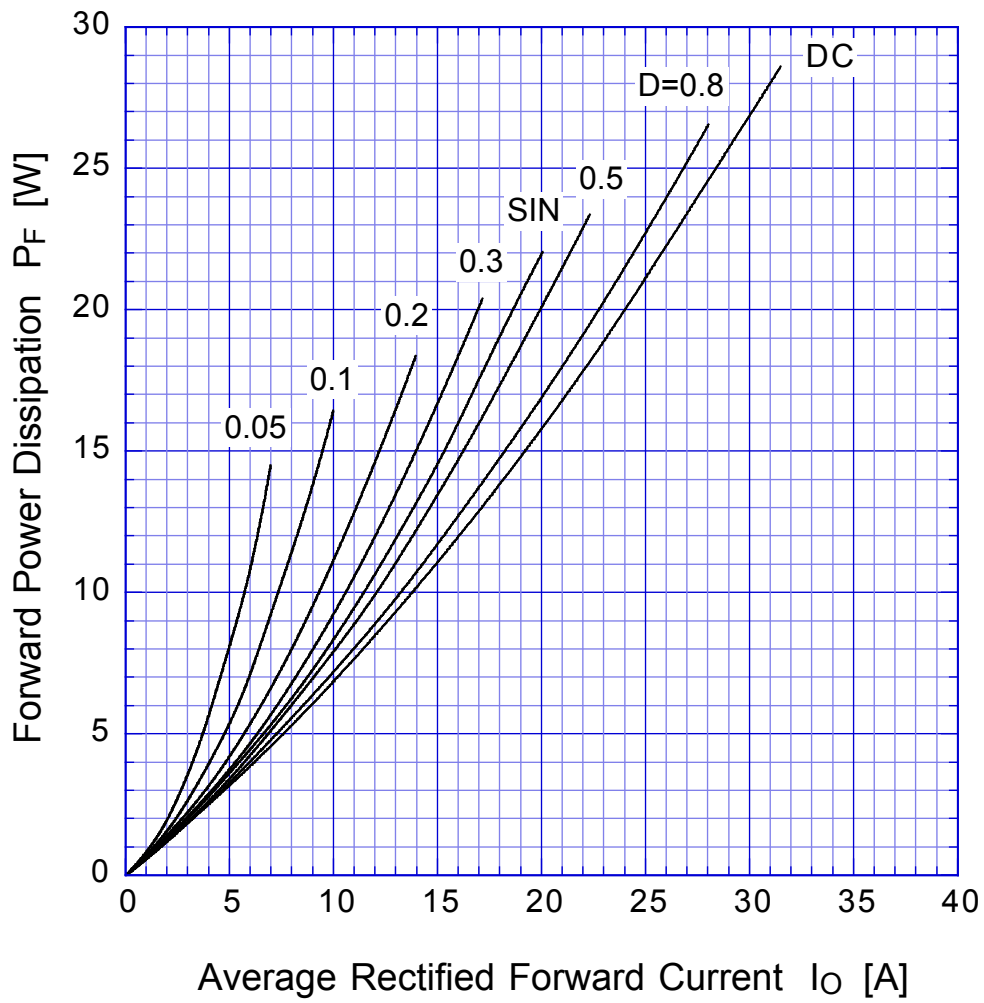
#### ● Electrical Characteristics (If not specified $T_c=25^\circ\text{C}$ )

Item	Symbol	Conditions	Ratings	Unit
Forward Voltage	$V_F$	$I_F=10\text{A}$ , Pulse measurement, Rating of per diode	Max.0.98	V
Reverse Current	$I_R$	$V_R=V_{RM}$ , Pulse measurement, Rating of per diode	Max.10	$\mu\text{A}$
Reverse Recovery Time	trr	$I_F=0.5\text{A}$ , $I_R=1\text{A}$ , Rating of per diode	Max.35	ns
Thermal Resistance	$\theta_{jc}$	junction to case	Max.1.2	$^\circ\text{C}/\text{W}$

# S20LC20U Forward Voltage



## S20LC20U Forward Power Dissipation

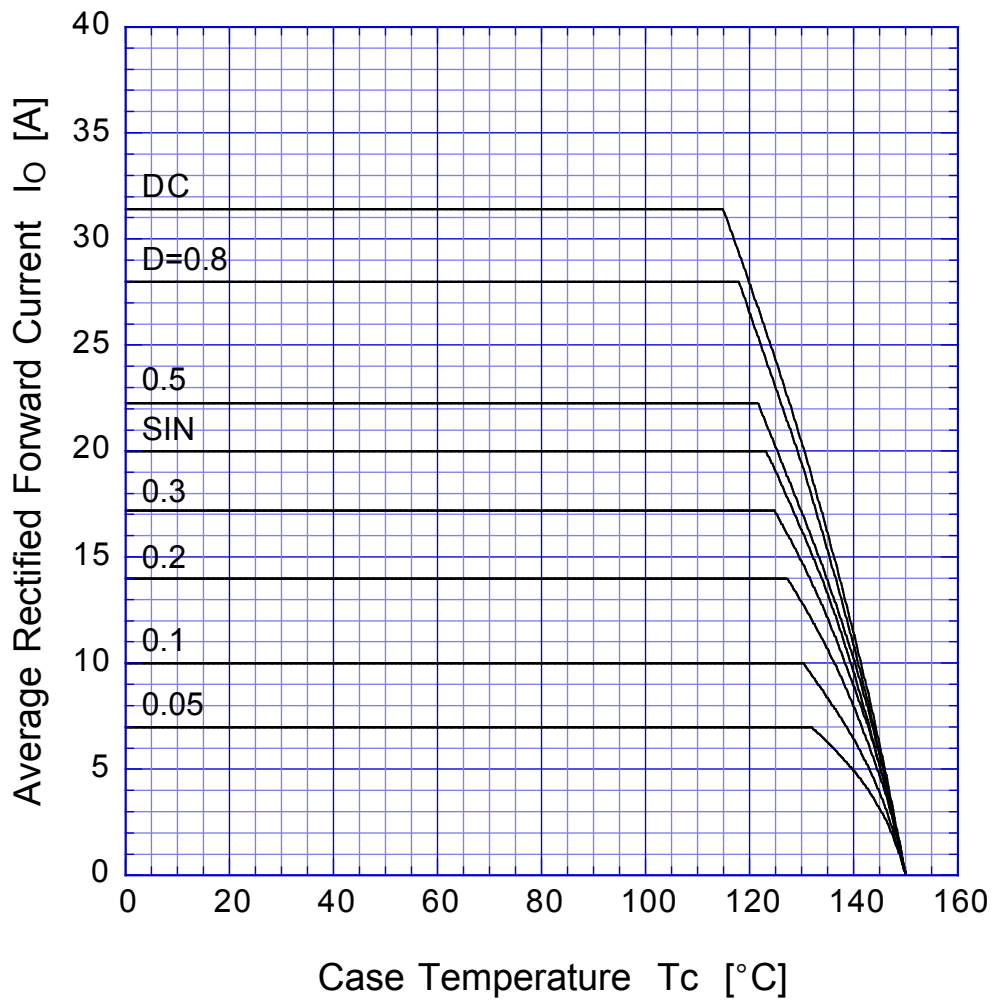


$T_j = T_{jmax}$



# S20LC20U

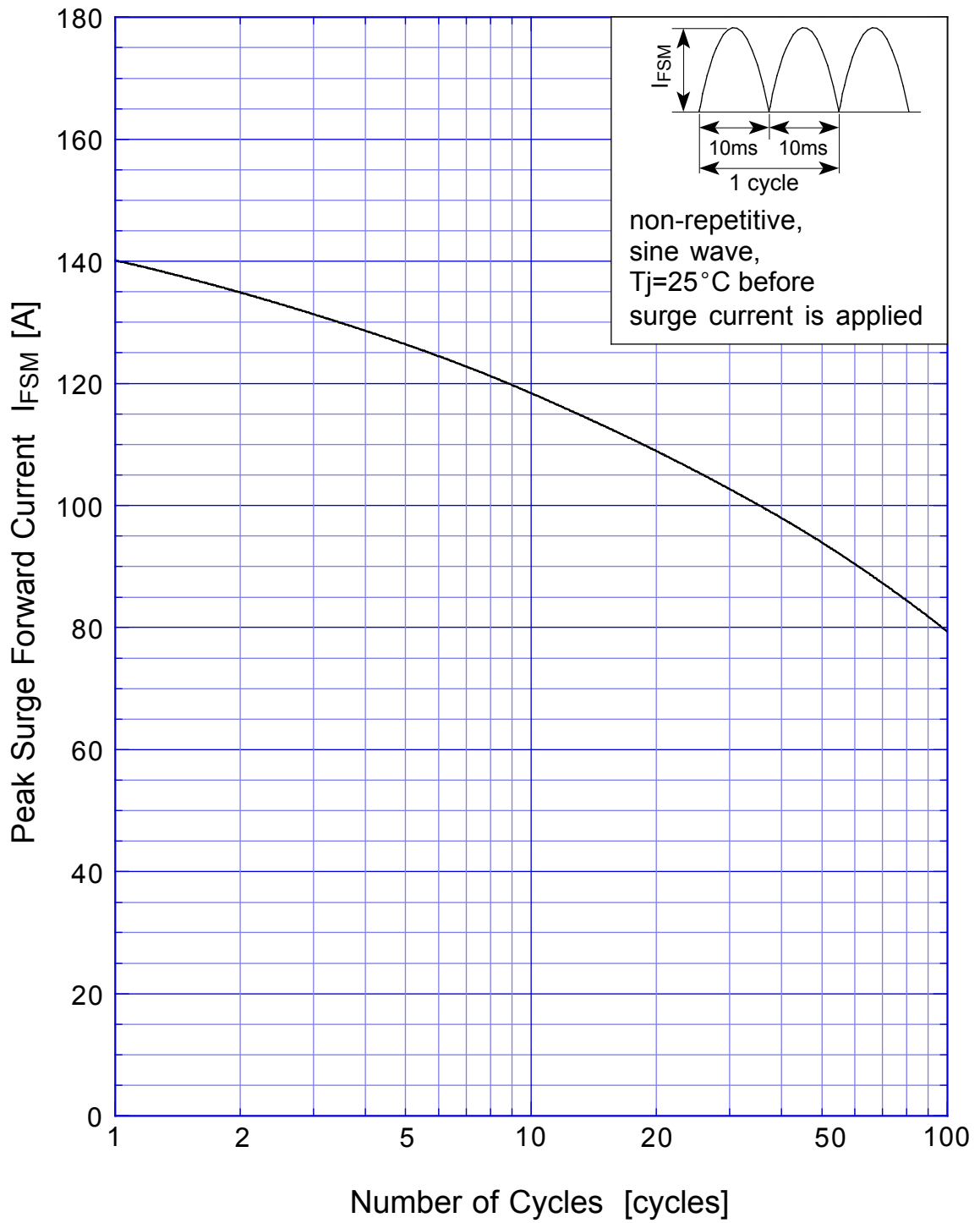
# Derating Curve



$$V_R = V_{RM}$$



## S20LC20U Peak Surge Forward Capability



# S20LC20U Junction Capacitance

