

PLEASE CHECK WWW.MOLEX.COM FOR LATEST PART INFORMATION

Part Number: [0395254003](#)
Status: **Active**
Description: 5.00mm (.197") Pitch Eurostyle™ Vertical PCB Header, with Threaded Retention Inserts, Surface Mount Compatible, 3 Circuits

Documents:

[3D Model](#) [Product Specification PS-39500-001 \(PDF\)](#)
[Drawing \(PDF\)](#) [RoHS Certificate of Compliance \(PDF\)](#)

General

Product Family	Terminal Blocks
Series	39525
Application	Wire-to-Board
Component Type	PCB Header
Product Literature Order No	USA-355
Product Name	ESE, Eurostyle™ Pluggable
Type	Euro Block

Physical

Circuits (Loaded)	3
Entry Angle	N/A
Lock to Mating Part	Yes
Number of Rows	1
Orientation	Vertical
PC Tail Length (in)	0.154 In
PC Tail Length (mm)	3.90 mm
PCB Thickness Recommended (in)	0.125 In
PCB Thickness Recommended (mm)	3.20 mm
Panel Mount	No
Pitch - Mating Interface (in)	0.197 In
Pitch - Mating Interface (mm)	5.00 mm
Polarized to Mating Part	Yes
Shrouded	Closed Ends
Stackable	No
Surface Mount Compatible (SMC)	N/A
Temperature Range - Operating	-40°C to +140°C
Wire Size AWG	N/A

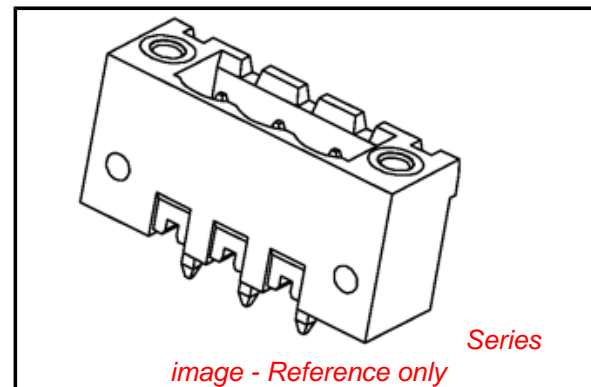
Electrical

Current - Maximum per Contact	15A
Voltage - Maximum	300V

Material Info

Reference - Drawing Numbers

Product Specification	PS-39500-001
Sales Drawing	SD-39501-002, SD-39525-001



EU RoHS

ELV and RoHS Compliant
REACH SVHC
 Not Reviewed
Halogen-Free Status

China RoHS



Not Reviewed

Need more information on product environmental compliance?

Email productcompliance@molex.com
 For a multiple part number RoHS Certificate of Compliance, [click here](#)

Please visit the [Contact Us](#) section for any non-product compliance questions.

Search Parts in this Series

[39525Series](#)

Mates With

Most 5.00mm (.197") Pitch Industry Standard Plugs, [39524](#) Horizontal Plug with Retention Screws, [39527](#) Vertical Plug with Retention Screws

3950X SERIES
3.50mm HEADERS



3952X & 3954X SERIES
5.00mm HEADERS
5.00mm 10 AMP FIXED



3953X SERIES
5.08mm HEADERS



3951X SERIES
3.81mm HEADERS



3954X SERIES
5.00mm 15 AMP FIXED



3954X SERIES
5.08mm 15 AMP FIXED



NOTES:

- REFER TO INDIVIDUAL PRODUCT SALES DRAWINGS FOR "B" DIMENSION.
- DOES NOT APPLY TO DUAL LEVEL HEADERS, SERIES 39528 AND 39538.
- TYP. = TYPICAL.

INITIAL RELEASE
EC NO: ETC2007-0096
DRWN: CLYORK 2006/10/02
CHKD: JMACNEIL 2006/10/04
APPR: JMACNEIL 2006/10/04

QUALITY SYMBOLS

 DESCRIPTION

GENERAL TOLERANCES (UNLESS SPECIFIED)	
	mm
4 PLACES	± .005
3 PLACES	± .005
2 PLACES	± 0.13
1 PLACE	± 0.3
ANGULAR ± 2 °	

DRAFT WHERE APPLICABLE
MUST REMAIN WITHIN DIMENSIONS

DIMENSION STYLE	
MM/IN	
DRAWN BY	DATE
C. YORK	2006/08/25
CHECKED BY	DATE
J. MACNEIL	2006/08/25
APPROVED BY	DATE
J. MACNEIL	2006/08/25
MATERIAL NO.	
--	

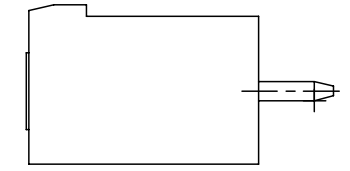
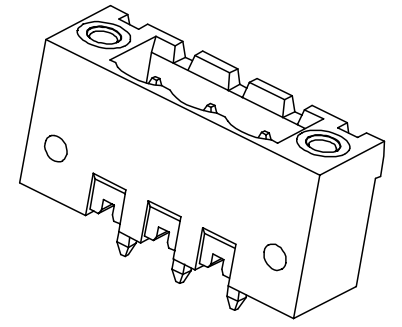
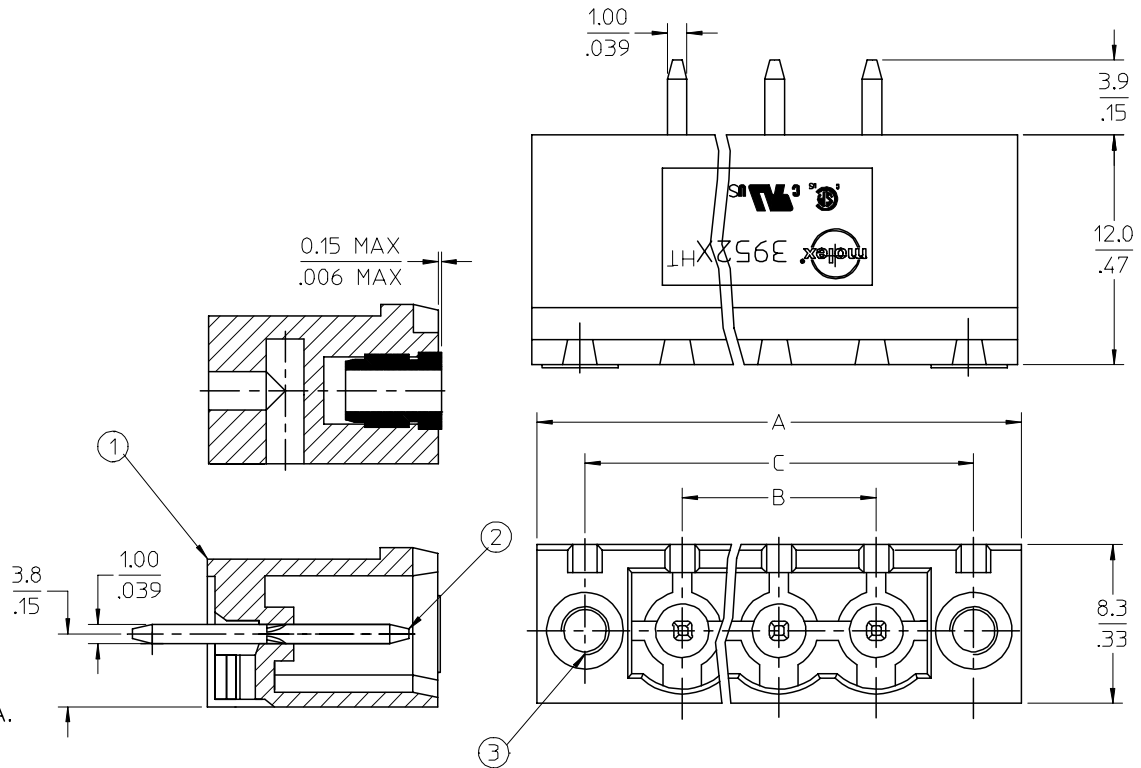
SCALE	DESIGN UNITS	THIRD ANGLE PROJECTION
3:1	INCH	
TITLE		
RECOMMENDED PCB LAYOUT FOR ESE TERMINAL BLOCKS		
APPROVED BY		
J. MACNEIL		
DATE		
2006/08/25		
MATERIAL NO.		
--		
DOCUMENT NO.		
SD-39501-002		
SHEET NO.		
1 OF 1		

10 9 8 7 6 5 4 3 2 1

F
E
D
C
B
A

SPECIFICATIONS:

1. Material:
 - (1). Body: PA46
 - (2). Pin: Brass
 - (3). Threaded insert: Brass
2. Wire range: N/A
3. Electrical rating: 300V, 15A.
4. Wire strip length: N/A
5. Operating temperature: -40C to +140C.
6. Max torque: N/A
7. Insulation resistance: DC 500V, 500M.
8. Dielectric withstand: AC 2500V for 1 minute.
9. Breakdown voltage: 4000V.
10. $A = (B + 15.0\text{mm})$
11. $B = (N - 1) \times P$
13. $C = (B + 10\text{mm})$
12. P (PITCH) = 5.0mm (.197").
13. N = Number of positions available 2 through 24.



ENTER DESCRIPTION EC NO: NEC2006-0310 DRWNL: LROTHAUS 2006/01/09 CHKD: CYORK 2006/01/09 APPR: JPAMLICK 2006/01/10	QUALITY SYMBOLS ▽=0 ▽=0	GENERAL TOLERANCES (UNLESS SPECIFIED)		DIMENSION STYLE		SCALE	DESIGN UNITS	THIRD ANGLE PROJECTION		
			mm	INCH	MM/IN	4:1	INCH			
		4 PLACES	± ---	± .0015	DRAWN BY	DATE	TITLE 5.0MM, EURO HEADER, VERTICAL, HI-TEMP MOUNTING			
		3 PLACES	± 0.038	± .005	LROTHAUS	12/6/05				
2 PLACES	± 0.13	± .01	CHECKED BY	DATE	MOLEX INCORPORATED					
1 PLACE	± 0.3	± ---	C. YORK	01/06/06						
ANGULAR ± 2 °		APPROVED BY		DATE	MATERIAL NO.		DOCUMENT NO.		SHEET NO.	
DRAFT WHERE APPLICABLE MUST REMAIN WITHIN DIMENSIONS		SEE CHART				SD-39525-001		1 OF 1		
A		B		THIS DRAWING CONTAINS INFORMATION THAT IS PROPRIETARY TO MOLEX INCORPORATED AND SHOULD NOT BE USED WITHOUT WRITTEN PERMISSION						

9 8 7 6 5 4 3 2 1

10 9 8 7 6 5 4 3 2 1

Description	Circuit size	Material Numbers											Dimensional Information							
		Black						Green					Dim. A		Dim. B		Dim. C			
		100% Tin			30 u" Gold			100% Tin			30 u" Gold		mm	inch	mm	inch	mm	inch		
		Printing Options			Printing Options			Printing Options			Printing Options									
None	10AV	11AV	None	10AV	11AV	None	10AV	11AV	None	10AV	11AV	None	10AV	11AV	mm	inch	mm	inch	mm	inch
5.0mm, Euro Header, Vertical, Mounting Ends, High Temp	2	395254002	395254302	395254402	395254502	395254802	395254902	395259002	395259302	395259402	395259502	395259802	395259902	20.00	0.787	5.00	0.197	15.00	0.591	
5.0mm, Euro Header, Vertical, Mounting Ends, High Temp	3	395254003	395254303	395254403	395254503	395254803	395254903	395259003	395259303	395259403	395259503	395259803	395259903	25.00	0.984	10.00	0.394	20.00	0.787	
5.0mm, Euro Header, Vertical, Mounting Ends, High Temp	4	395254004	395254304	395254404	395254504	395254804	395254904	395259004	395259304	395259404	395259504	395259804	395259904	30.00	1.181	15.00	0.591	25.00	0.984	
5.0mm, Euro Header, Vertical, Mounting Ends, High Temp	5	395254005	395254305	395254405	395254505	395254805	395254905	395259005	395259305	395259405	395259505	395259805	395259905	35.00	1.378	20.00	0.787	30.00	1.181	
5.0mm, Euro Header, Vertical, Mounting Ends, High Temp	6	395254006	395254306	395254406	395254506	395254806	395254906	395259006	395259306	395259406	395259506	395259806	395259906	40.00	1.575	25.00	0.984	35.00	1.378	
5.0mm, Euro Header, Vertical, Mounting Ends, High Temp	7	395254007	395254307	395254407	395254507	395254807	395254907	395259007	395259307	395259407	395259507	395259807	395259907	45.00	1.772	30.00	1.181	40.00	1.575	
5.0mm, Euro Header, Vertical, Mounting Ends, High Temp	8	395254008	395254308	395254408	395254508	395254808	395254908	395259008	395259308	395259408	395259508	395259808	395259908	50.00	1.969	35.00	1.378	45.00	1.772	
5.0mm, Euro Header, Vertical, Mounting Ends, High Temp	9	395254009	395254309	395254409	395254509	395254809	395254909	395259009	395259309	395259409	395259509	395259809	395259909	55.00	2.165	40.00	1.575	50.00	1.969	
5.0mm, Euro Header, Vertical, Mounting Ends, High Temp	10	395254010	395254310	395254410	395254510	395254810	395254910	395259010	395259310	395259410	395259510	395259810	395259910	60.00	2.362	45.00	1.772	55.00	2.165	
5.0mm, Euro Header, Vertical, Mounting Ends, High Temp	11	395254011	395254311	395254411	395254511	395254811	395254911	395259011	395259311	395259411	395259511	395259811	395259911	65.00	2.559	50.00	1.969	60.00	2.362	
5.0mm, Euro Header, Vertical, Mounting Ends, High Temp	12	395254012	395254312	395254412	395254512	395254812	395254912	395259012	395259312	395259412	395259512	395259812	395259912	70.00	2.756	55.00	2.165	65.00	2.559	
5.0mm, Euro Header, Vertical, Mounting Ends, High Temp	13	395254013	395254313	395254413	395254513	395254813	395254913	395259013	395259313	395259413	395259513	395259813	395259913	75.00	2.953	60.00	2.362	70.00	2.756	
5.0mm, Euro Header, Vertical, Mounting Ends, High Temp	14	395254014	395254314	395254414	395254514	395254814	395254914	395259014	395259314	395259414	395259514	395259814	395259914	80.00	3.150	65.00	2.559	75.00	2.953	
5.0mm, Euro Header, Vertical, Mounting Ends, High Temp	15	395254015	395254315	395254415	395254515	395254815	395254915	395259015	395259315	395259415	395259515	395259815	395259915	85.00	3.346	70.00	2.756	80.00	3.150	
5.0mm, Euro Header, Vertical, Mounting Ends, High Temp	16	395254016	395254316	395254416	395254516	395254816	395254916	395259016	395259316	395259416	395259516	395259816	395259916	90.00	3.543	75.00	2.953	85.00	3.346	
5.0mm, Euro Header, Vertical, Mounting Ends, High Temp	17	395254017	395254317	395254417	395254517	395254817	395254917	395259017	395259317	395259417	395259517	395259817	395259917	95.00	3.740	80.00	3.150	90.00	3.543	
5.0mm, Euro Header, Vertical, Mounting Ends, High Temp	18	395254018	395254318	395254418	395254518	395254818	395254918	395259018	395259318	395259418	395259518	395259818	395259918	100.00	3.937	85.00	3.346	95.00	3.740	
5.0mm, Euro Header, Vertical, Mounting Ends, High Temp	19	395254019	395254319	395254419	395254519	395254819	395254919	395259019	395259319	395259419	395259519	395259819	395259919	105.00	4.134	90.00	3.543	100.00	3.937	
5.0mm, Euro Header, Vertical, Mounting Ends, High Temp	20	395254020	395254320	395254420	395254520	395254820	395254920	395259020	395259320	395259420	395259520	395259820	395259920	110.00	4.331	95.00	3.740	105.00	4.134	
5.0mm, Euro Header, Vertical, Mounting Ends, High Temp	21	395254021	395254321	395254421	395254521	395254821	395254921	395259021	395259321	395259421	395259521	395259821	395259921	115.00	4.528	100.00	3.937	110.00	4.331	
5.0mm, Euro Header, Vertical, Mounting Ends, High Temp	22	395254022	395254322	395254422	395254522	395254822	395254922	395259022	395259322	395259422	395259522	395259822	395259922	120.00	4.724	105.00	4.134	115.00	4.528	
5.0mm, Euro Header, Vertical, Mounting Ends, High Temp	23	395254023	395254323	395254423	395254523	395254823	395254923	395259023	395259323	395259423	395259523	395259823	395259923	125.00	4.921	110.00	4.331	120.00	4.724	
5.0mm, Euro Header, Vertical, Mounting Ends, High Temp	24	395254024	395254324	395254424	395254524	395254824	395254924	395259024	395259324	395259424	395259524	395259824	395259924	130.00	5.118	115.00	4.528	125.00	4.921	

SEE SHEET 1 EC NO: NEC2006-0310 DRWNL: LROTHAUS 2006/01/09 CHKDC: CYORK 2006/01/09 APPR: JPAML CK 2006/01/10	QUALITY SYMBOLS ▽=0 ▽=0	GENERAL TOLERANCES (UNLESS SPECIFIED)		DIMENSION STYLE		SCALE	DESIGN UNITS	THIRD ANGLE PROJECTION
				MM/IN		4:1	INCH	
				DRAWN BY DATE		TITLE		
				CHECKED BY DATE		MOLEX INCORPORATED		
		APPROVED BY DATE		MATERIAL NO.		DOCUMENT NO.		SHEET NO.
		ANGULAR ± 2 °		SEE CHART		SD-39525-001		2 OF 2
		DRAFT WHERE APPLICABLE MUST REMAIN WITHIN DIMENSIONS		THIS DRAWING CONTAINS INFORMATION THAT IS PROPRIETARY TO MOLEX INCORPORATED AND SHOULD NOT BE USED WITHOUT WRITTEN PERMISSION				

9 8 7 6 5 4 3 2 1