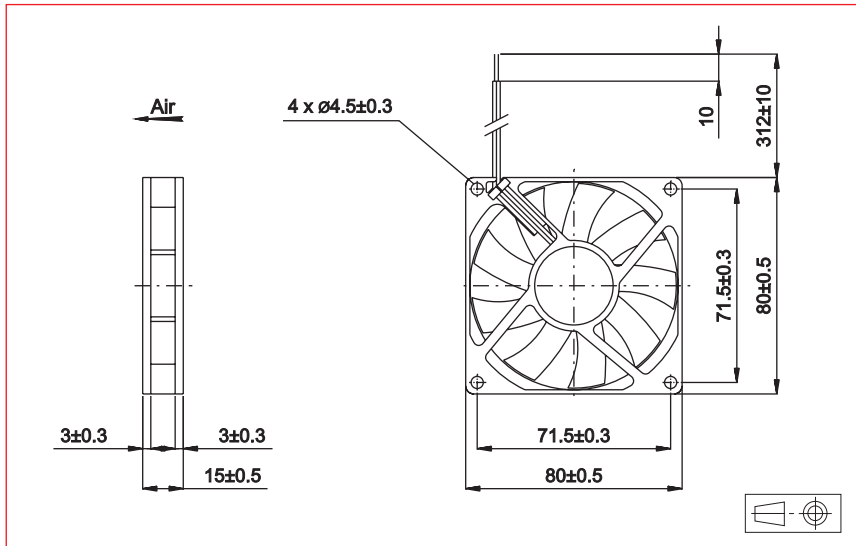


3,15" x 3,15" x 0,59"

80 x 80 x 15 mm

Series  
230D  
X, Z  
speeds

**ETRI**  
DC Axial Fans



Approvals



Life expectancy

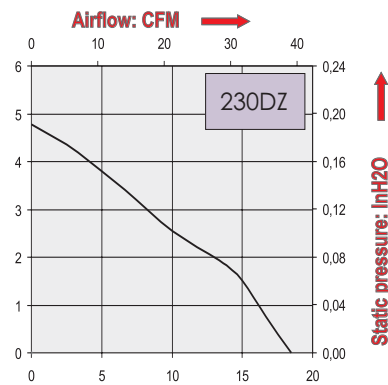
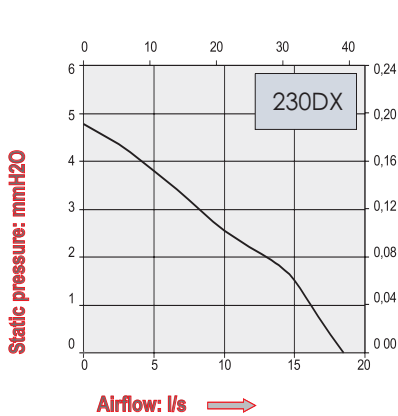
L-10 LIFE AT 40°C:  
80 000 hours

**Brushless DC Motor**

Electrical protection: impedance protected  
Housing material: plastic UL 94 VO  
Impeller material: plastic UL 94 VO  
Weight: 58 g  
Bearing system: ball bearings

**Available with:**

- Speed sensor
- Open collector alarm
- IP54 / IP55



Part Number	Nominal voltage	Airflow	Noise level	Nominal speed	Input Power	Voltage range	Connection type		Operating temperature	
	V	l/s	dB(A)	RPM	W	V	Leads	Terminals	Min.°C	Max.°C
230DX1LP11000	12	18,5	39,5	3700	2,3	(7-13,8)	X		-10	70
230DX2LP11000	24	18,5	39,5	3700	2,9	(14-27,6)	X		-10	70
230DZ1LP11000	12	20,2	42,5	4000	3,2	(7-13,8)	X		-10	70
230DZ2LP11000	24	20,2	42,5	4000	4,1	(14-27,6)	X		-10	70

**Additional versions:**  
Lower speeds (see page page 15)

**Accessories:**  
Refer to Accessories leaflet



Non contractual document. Specifications are subject to change without prior notice. Pictures for information only. Edition 2008