

FEATURES AND SPECIFICATIONS

Features and Benefits

- Sizes 10 to 64 circuits
- Tin plated on solder tail
- Complies with industry-standard DIN 41651 and MIL-3 83503 keying
- Selective Gold plating options for contacts
- Eject levers allow end-to-end stacking with or without strain relief with no loss of board space
- Polarized
- Contact Molex for variations on eject levers

Reference Information

Product Specification: PS-99020-0015
 Packaging: Tray
 Mates With: 90635
 Designed In: Millimeters

Electrical

Voltage: 250V
 Current: 2.5A
 Contact Resistance: 20mΩ max.
 Dielectric Withstanding Voltage: 500V AC
 Insulation Resistance: 1000 MΩ min.

Mechanical

Pin Retention Force: 1.5kg (3.3 lb)
 Mating Force: 350g (0.77 lb) max. per circuit
 Unmating Force: 50g (0.11 lb) min. per circuit
 Durability: 300 cycles max.

Physical

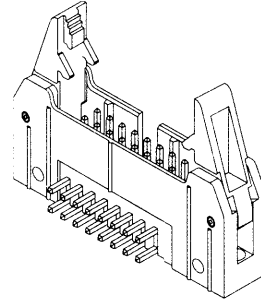
Housing: Black glass-filled polyester, UL 94V-0
 Contact: Copper Alloy
 Plating: See Table
 Operating Temperature: -25 to +85°C

molex® 2.54mm (.100") Pitch
QF 50™

Shrouded Header

90663

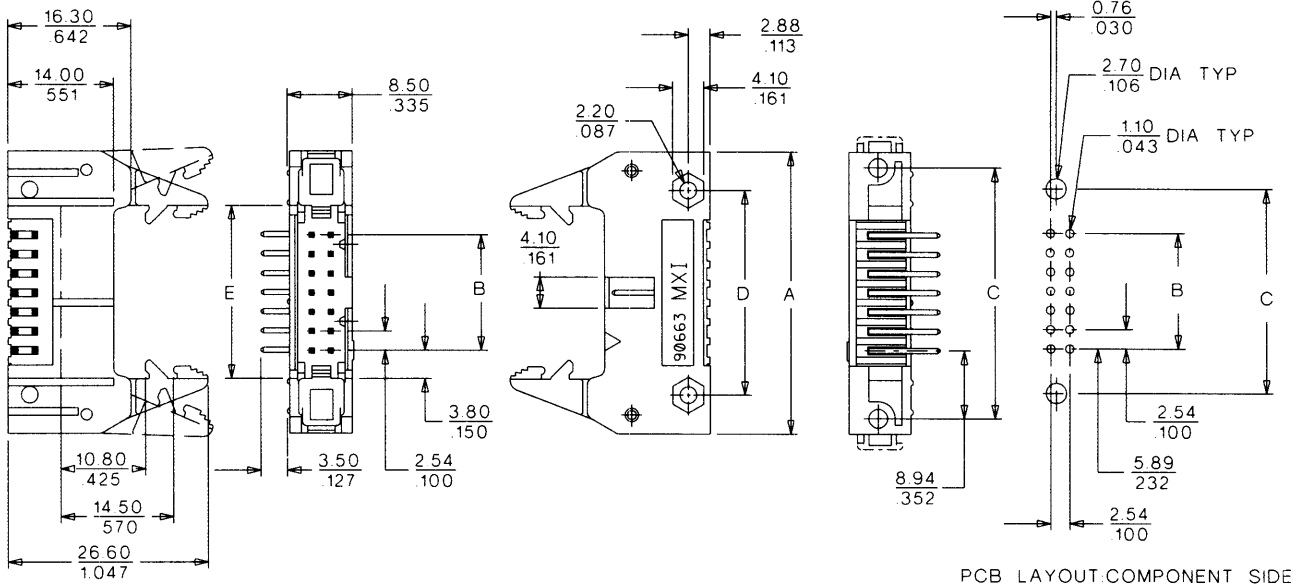
**Right Angle, MIL Keying
 With Latch/Eject Levers**



Ribbon Cable Systems

H

CATALOG DRAWING (FOR REFERENCE ONLY)



ORDERING INFORMATION AND DIMENSIONS

Circuits	Order No.			Dimension				
	Plating 1	Plating 2	Plating 3	A	B	C	D	E
10	90663-3101	90663-3102	90663-3103	32.16 (1.266)	10.16 (.400)	28.04 (1.104)	21.94 (.864)	17.76 (.700)
14	90663-3141	90663-3142	90663-3143	37.24 (1.466)	15.24 (.600)	33.12 (1.304)	27.02 (1.064)	22.84 (.900)
16	90663-3161	90663-3162	90663-3163	39.78 (1.566)	17.78 (.700)	35.66 (1.404)	29.56 (1.164)	25.38 (1.000)
20	90663-3201	90663-3202	90663-3203	44.86 (1.766)	22.86 (.900)	40.74 (1.604)	34.64 (1.364)	30.46 (1.200)
26	90663-3261	90663-3262	90663-3263	52.48 (2.066)	30.48 (1.200)	48.36 (1.904)	42.26 (1.664)	38.08 (1.500)
30	90663-3301	90663-3302	90663-3303	57.56 (2.266)	35.56 (1.400)	53.44 (2.104)	47.34 (1.864)	43.16 (1.700)
34	90663-3341	90663-3342	90663-3343	62.64 (2.466)	40.64 (1.600)	58.52 (2.304)	52.42 (2.064)	48.24 (1.900)
40	90663-3401	90663-3402	90663-3403	70.26 (2.766)	48.26 (1.900)	66.14 (2.604)	60.04 (2.364)	55.86 (2.200)
50	90663-3501	90663-3502	90663-3503	82.96 (3.266)	60.96 (2.400)	78.84 (3.104)	72.74 (2.864)	68.56 (2.700)
60	90663-3601	90663-3602	90663-3603	95.66 (3.766)	73.66 (2.900)	91.54 (3.604)	85.44 (3.364)	81.26 (3.200)
64	90663-3641	90663-3642	90663-3643	100.74 (3.966)	78.74 (3.100)	96.62 (3.804)	90.52 (3.564)	86.34 (3.400)

Plating 1: 4μ" Gold in contact area, 118μ" Tin in solder area, 39μ" Nickel underplate
 Plating 2: 30μ" Gold in contact area, 118μ" Tin in solder area, 39μ" Nickel underplate
 Plating 3: 10μ" Gold in contact area, 118μ" Tin in solder area, 39μ" Nickel underplate