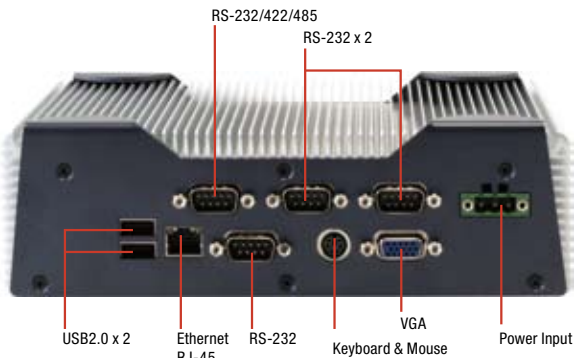
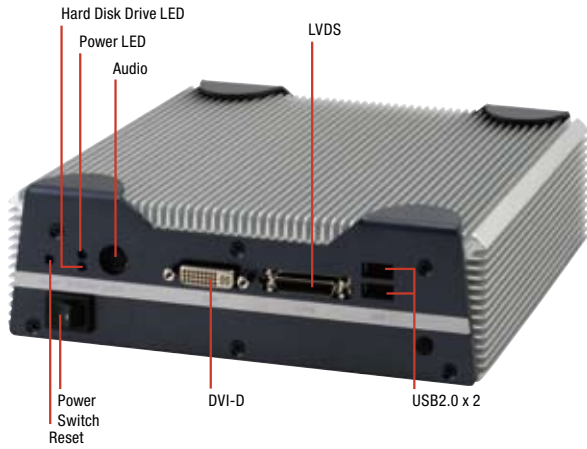


AEC-6860

Mini Fanless Digital Signage Engine, Intel® Core™ 2 Duo Processor



Features

- Intel® Core™ 2 Duo Processor Up To 1.6 GHz
- Fanless & Mini Size
- Rich Video (VGA, DVI, LVDS)
- Rich IO (USB x 4, COM x 4)
- Supports Gigabit Ethernet WLAN, LCD
- ATX Power Function



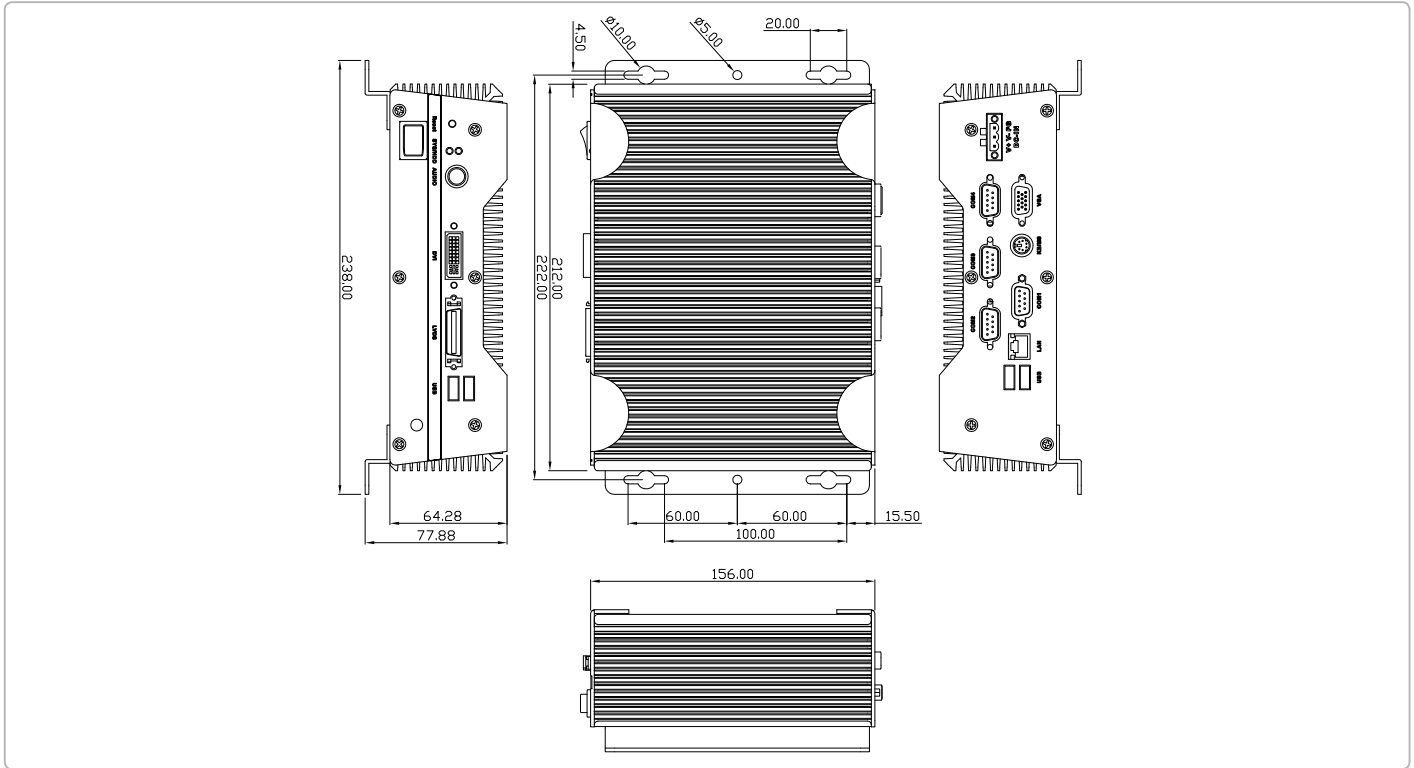
Specifications

CPU	Intel® Core™ 2 Duo (up to 1.6 GHz)
Chipset	Intel® 945GME + ICH7M
System Memory	DDR2 SODIMM x 1, Max. 2GB
Display Interface	VGA DB-15 x 1, shared system memory up to 224MB/ DVMT 3.0
	DVI DVI-D x 1
	Others LVDS x 1
Storage Device	SSD CompactFlash™ slot inside
	HDD Optional 2.5" SATA 1.5Gb/s Hard Disk Drive + Slim CD-ROM Drive, Optional 3.5" SATA 1.5Gb/s Hard Disk Drive Module, Optional Dual 2.5" Slim SATA 1.5Gb/s Hard Disk Drive Module
Network	LAN Gigabit Ethernet, RJ-45 x 1
	Wireless —
Front I/O	USB Host USB2.0 x 2
	LAN —
	Serial Port —
	DIO —
	Audio Line-in/ Line-out/ Mic-in x 1 by an extension cable
	KB/MS —
	Others Power Switch x 1, Reset Button x 1, LVDS x 1
Rear I/O	USB Host USB2.0 x 2
	LAN RJ-45 x 1
	Serial Port RS-232 x 3, RS-232/422/485 x 1
	DIO —
	Audio —
	KB/MS PS/2 x 1
Expansion	Others Power input x 1, DB-15 x 1
	PCIe [x1] —
	PCI —
	Mini Card —
	Mini PCI 1
Indicator	Others —
	Front Power LED x 1, Hard Disk Drive active LED x 1
Rear —	
Power Requirement	DC-in 9 ~ 30V
Power Consumption	Intel® Core™ 2 Duo 1.6 GHz (T5500), 2.63A@12V
System Cooling	Passive Cooling
Mounting	Wallmount/ Desktop
Operating Temperature	Ambient with Airflow
	32°F ~ 122°F (-15°C ~ 50°C) – Core™ 2 Duo 1.6 GHz - CompactFlash™ 32°F ~ 122°F (0°C ~ 50°C) – Core™ 2 Duo 1.6 GHz - Automotive HDD
Storage Temperature	-4°F ~ 158°F (-20°C ~ 70°C)
Anti-Vibration	5 g rms / 5 ~ 500Hz / operation (CFD), 1 g rms / 5 ~ 500Hz / operation (HDD)
Anti-Shock	100 G peak acceleration (11 msec. duration) - DC model
MTBF	50,000

AEC-6860

Dimension

Unit: mm



Certification	EMC	CE/FCC Class A
	Safety	—
Dimension (W x H x D)	8.35" (W) x 2.53" (H) x 6.14" (D) (212mm x 64mm x 156mm)	
Gross Weight	10.34 lb (4.7 Kg)	

Ordering Information

- **TF-AEC-6860-A1**
Embedded Controller, Core™ 2 Duo 1.6 GHz (T5500), Fanless, DC 9~30V, ATX
- **TF-AEC-6860-A2**
Embedded Controller, Celeron® M 1.86 GHz (440), Fanless, DC 9~30V, ATX
- **TF-AEC-6860-A3**
Embedded Controller, Core™ 2 Duo LV 1.5 GHz (L7400), Fanless, DC 9~30V, ATX

Optional Accessories

- **1757912001**
Power Adapter (120W), Output: DC 19V
- **1702031830**
Power Cord (US Type)
- **1702031831**
Power Cord (European Type)
- **1702031810**
Power Cord (Japanese Type)
- **9741686020**
Dual 2.5" SATA Hard Disk Drive Kit (Side by Side)
- **9741686004**
3.5" SATA Hard Disk Drive Kit
- **9741686025**
SATA DVD-ROM/SATA Hard Disk Assembly Kit for AEC-6860