

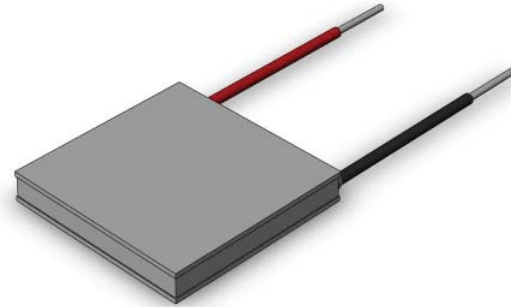


PART NUMBER: CP60340

DESCRIPTION: PELTIER MODULE

FEATURES

- solid state device
- small and lightweight
- precise temperature control
- quiet operation
- RoHS compliant



INPUT

parameter	conditions/description	min	nom	max	units
resistance	measured by AC 4-terminal method at 25°C	1.089	1.210	1.331	Ω
current	maximum current at ΔTmax			6	A
voltage	maximum voltage at ΔTmax			8.6	V

OUTPUT

parameter	conditions/description	min	nom	max	units
Qmax ¹	Th = 27°C			29.0	W
	Th = 50°C			32.4	W
ΔTmax ²	Th = 27°C			68	°C
	Th = 50°C			75	°C

Notes: 1. Maximum cooling capacity at Imax, Vmax, and ΔT = 0°C
2. Maximum temperature difference at Imax, Vmax, Q = 0 W (maximum parameters are measured in a vacuum)

GENERAL

parameter	conditions/description	min	nom	max	units
solder melting temperature	connection between thermoelectric pairs			138	°C
assembly compression				98.07	N/cm ²
				10	kgf/cm ²
hot side plate				90	°C
MTBF				200,000	hours

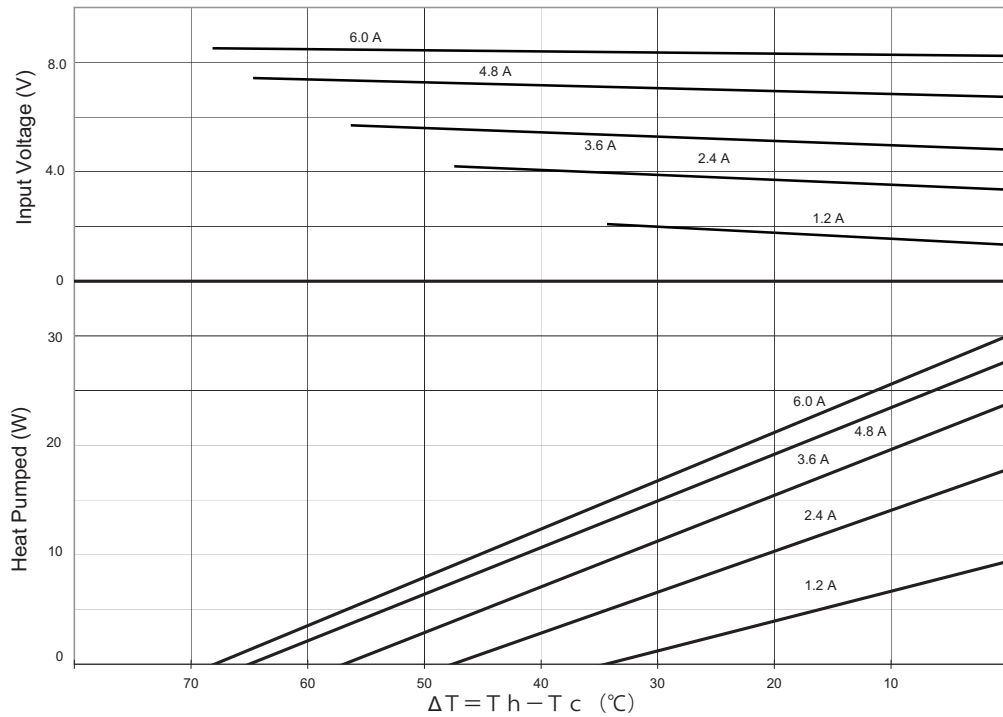
*for further information and product selection refer to peltier application notes.pdf



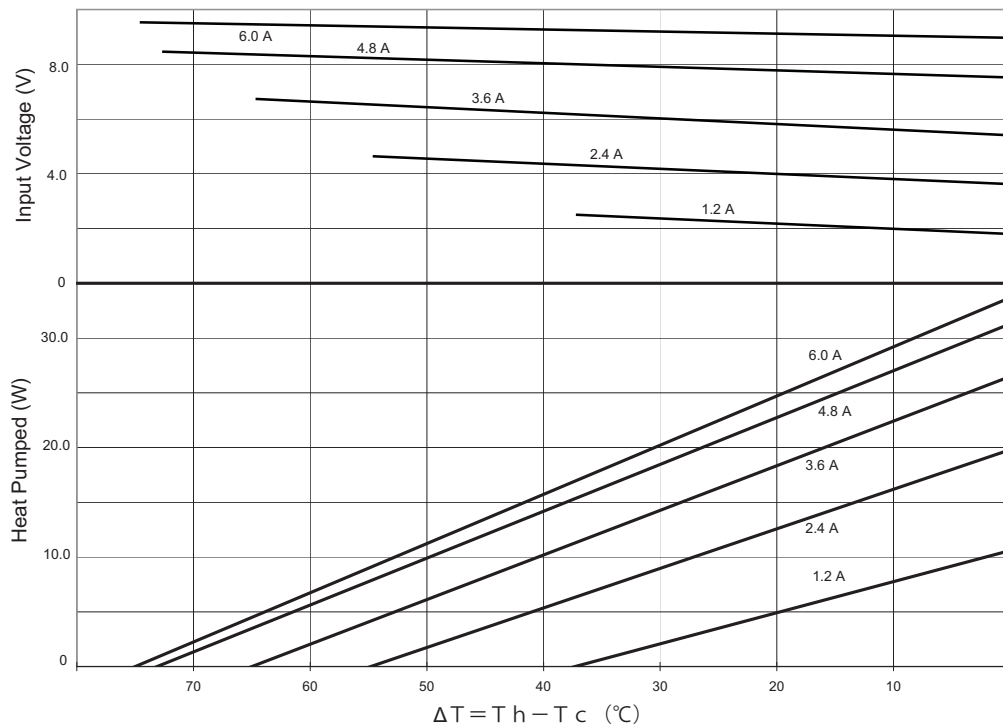
PART NUMBER: CP60340

DESCRIPTION: PELTIER MODULE

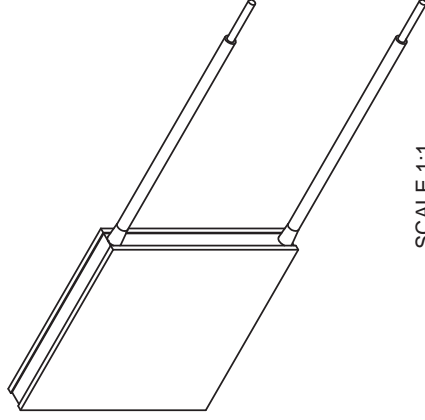
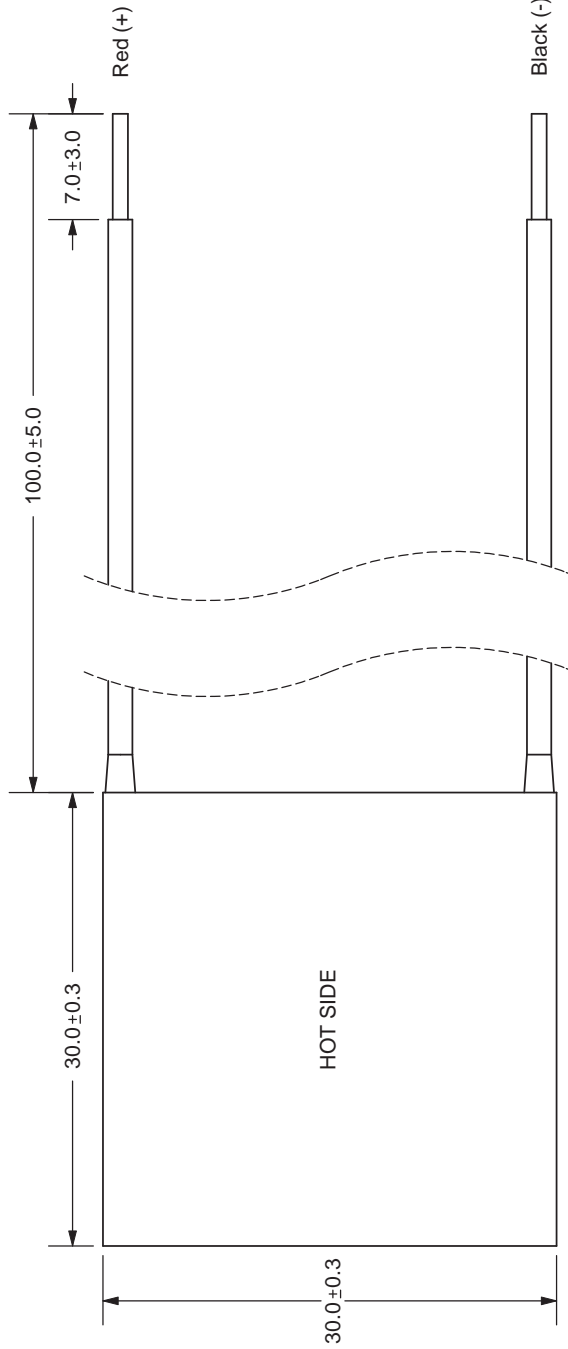
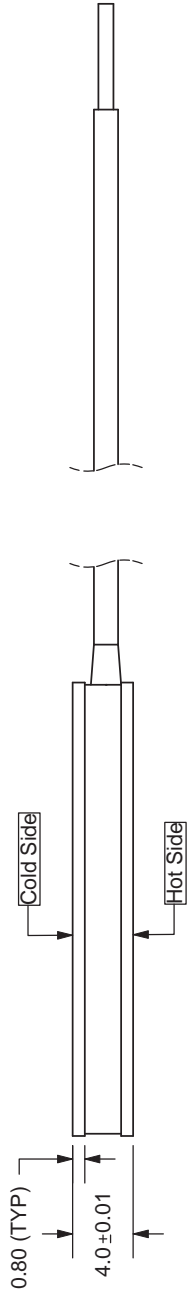
PERFORMANCE (Th=27°C)



PERFORMANCE (Th=50°C)



REV. A	DESCRIPTION NEW DRAWING	DATE 10/3/2007
-----------	----------------------------	-------------------



TOLERANCE:
±0.1mm UNLESS OTHERWISE
NOTED



CUI INC

20050 SW 112th Ave.
Tualatin, OR 97062
Phone: 503-612-2300
800-275-4899
Fax: 503-612-2383
Website: www.cui.com

TITLE: PELTIER MODULE	REV: A
PART NO. CP60340	UNITS: MM [INCHES]
DRAWN BY: ZRJ	APPROVED BY:
	SCALE: 2:1

	MATERIAL	PLATING
CERAMIC PLATE	Al ₂ O ₃ (Alumina)	White Color
SEALER	Silicon Rubber RTV	White Color
LEAD WIRE	UL1332	Tin
JOINT COVER	Silicon Rubber RTV	White Color

PC FILE NAME: CP60340

COPYRIGHT 2009 BY CUI INC.