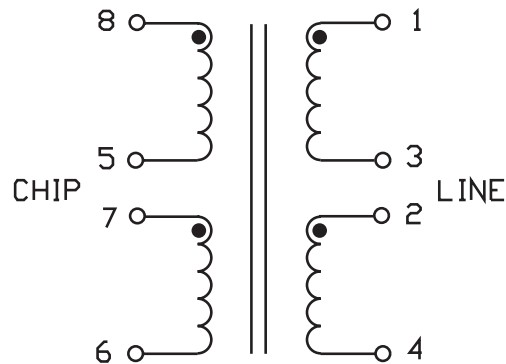


# ADSL MAGNETICS

S560-6600-KU

## ELECTRICAL CHARACTERISTICS (@25°C)

### SCHEMATIC



DC UNBALANCE CURRENT:	2mA	
INSERTION LOSS: 150kHz - 300kHz	0.4 dB MAX	
INSERTION LOSS: 1 MHz	0.8 dB MAX	
INSERTION LOSS: 4 MHz	1.0 dB MAX	
LONGITUDINAL BALANCE: 20kHz - 4 MHz	45 dB	
TOTAL HARMONIC DISTORTION 5 VRMS, 25kHz, 100Ω LINE AND 123.5Ω LOAD.		-80 dB MAX
OPERATING TEMPERATURE RANGE:		-40°C TO +85°C

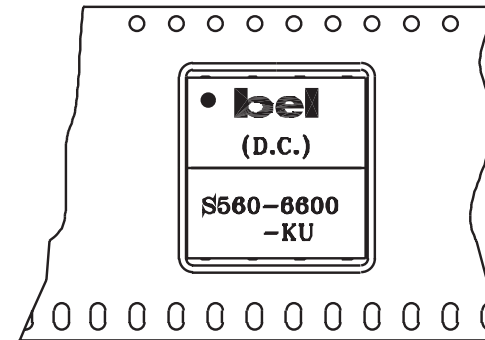
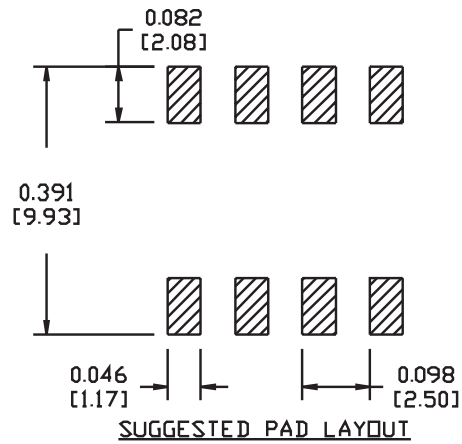
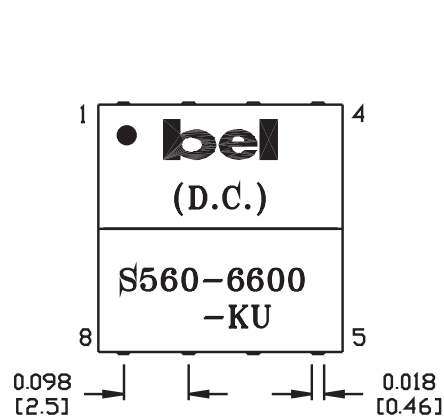
NOMINAL TURNS RATIO: (1-4) : (8-6)	0.9 : 1
CONNECT TERMINALS 2 TO 3 & 5 TO 7	
DC RESISTANCE: (1-4)	1.6 Ω MAX
(8-6)	2.1 Ω MAX
CONNECT TERMINALS 2 TO 3 & 5 TO 7	
INDUCTANCE @ 10 kHz, 0.1 Vrms: (1-4)	1 mH ± 7%
CONNECT TERMINALS 2 TO 3	
LEAKAGE INDUCTANCE: (1-4)	3.5 μH MAX
CONNECT TERMINALS 2 TO 3 & 5 TO 7	
SHORT TERMINALS 5, 6, 7, & 8	
DIRECT CAPACITANCE: BETWEEN (1-4) & (8-6)	50 pF MAX
CONNECT TERMINALS 2 TO 3 & 5 TO 7	
PARALLEL CAPACITANCE AT 1MHz: (8-6)	40 pF MAX
CONNECT TERMINALS 5 TO 7	
MINIMUM DIELECTRIC RATING: BETWEEN (1-4) & (8-6)	1875 VAC
CONNECT TERMINALS 2 TO 3 & 5 TO 7	

DESIGNED TO COMPLY WITH UL1950, EN60950 , CSA  
BASIC INSULATION WITH 250 VAC WORKING VOLTAGE.

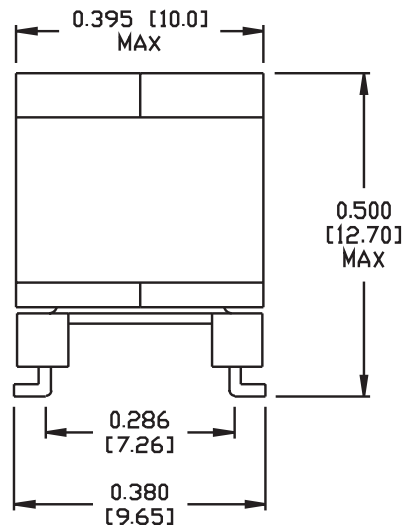
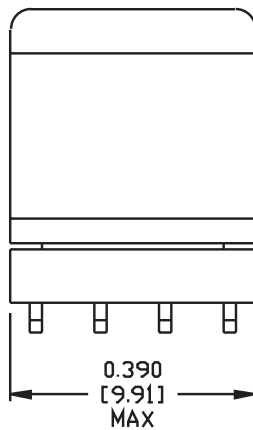


# ADSL MAGNETICS

S560-6600-KU



➔ USER FEED DIRECTION



## ORIENTATION OF COMPONENT INSIDE POCKET

TAPE WIDTH	24MM
POCKET PITCH	20MM
QUANTITY OF COMPONENTS PER REEL	200
PLASTIC REEL OUTER DIAMETER	13 INCHES
PLASTIC REEL HUB DIAMETER	4 INCHES