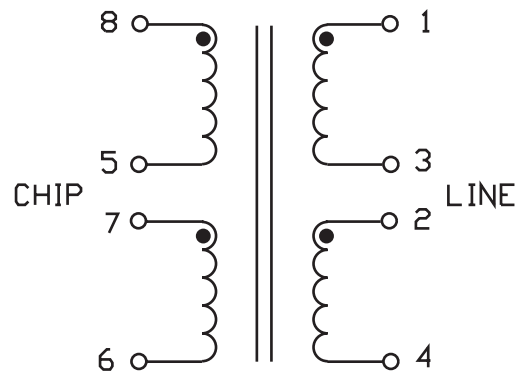


# ADSL MAGNETICS

S560-6600-KV

## ELECTRICAL CHARACTERISTICS (@25°C)

### SCHEMATIC



### NOMINAL TURNS RATIO:

(1-4) : (8-6) 0.9 : 1

CONNECT TERMINALS 2 TO 3 & 5 TO 7

### DC RESISTANCE:

(1-4) 1.0 Ω MAX

(8-6) 1.5 Ω MAX

CONNECT TERMINALS 2 TO 3 & 5 TO 7

### INDUCTANCE @ 10 kHz, 0.1 Vrms:

(1-4) 1 mH ± 7%

CONNECT TERMINALS 2 TO 3

### LEAKAGE INDUCTANCE:

(1-4) 3.5 μH MAX

CONNECT TERMINALS 2 TO 3 & 5 TO 7

SHORT TERMINALS 5, 6, 7, & 8

### DIRECT CAPACITANCE:

BETWEEN (1-4) & (8-6) 50 pF MAX

CONNECT TERMINALS 2 TO 3 & 5 TO 7

### PARALLEL CAPACITANCE AT 1MHz:

(8-6) 40 pF MAX

CONNECT TERMINALS 5 TO 7

### MINIMUM DIELECTRIC RATING:

BETWEEN (1-4) & (8-6) 1875 VAC

CONNECT TERMINALS 2 TO 3 & 5 TO 7

DESIGNED TO COMPLY WITH UL1950, EN60950, CSA

FUNCTIONAL INSULATION WITH 250 VAC WORKING VOLTAGE.

DC UNBALANCE CURRENT: 2mA

INSERTION LOSS:  
150kHz - 300kHz 0.4 dB MAX

INSERTION LOSS:  
1 MHz 0.8 dB MAX

INSERTION LOSS:  
4 MHz 1.0 dB MAX

LONGITUDINAL BALANCE:  
20kHz - 4 MHz 45 dB

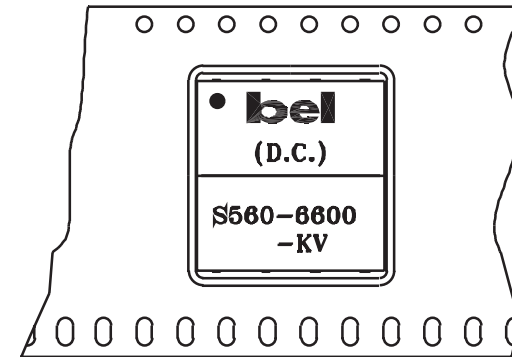
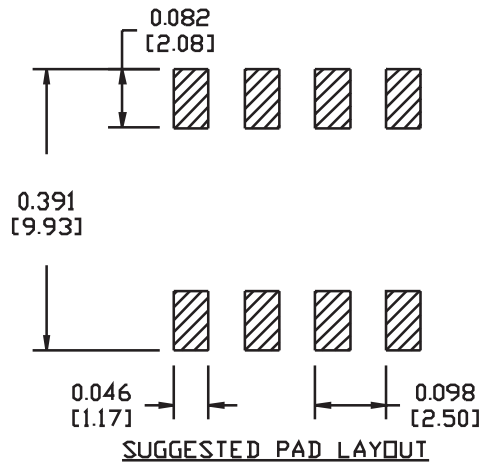
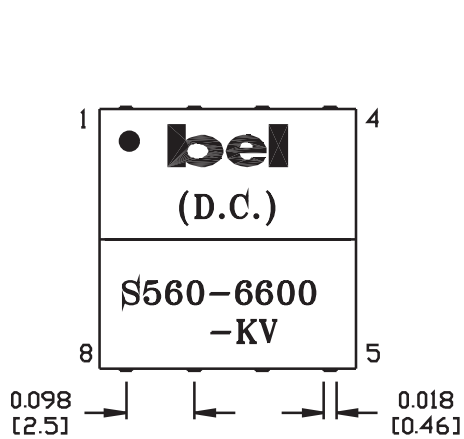
TOTAL HARMONIC DISTORTION -80 dB MAX  
5 VRMS, 25kHz, 100Ω LINE AND 123.5Ω LOAD.

OPERATING TEMPERATURE RANGE: -40°C TO +85°C



# ADSL MAGNETICS

S560-6600-KV



➔ USER FEED DIRECTION

## ORIENTATION OF COMPONENT INSIDE POCKET

TAPE WIDTH	24MM
POCKET PITCH	20MM
QUANTITY OF COMPONENTS PER REEL	200
PLASTIC REEL OUTER DIAMETER	13 INCHES
PLASTIC REEL HUB DIAMETER	4 INCHES

