

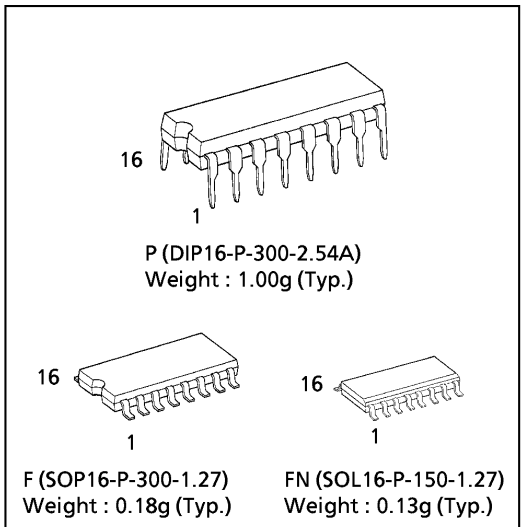
# TC4094BP, TC4094BF, TC4094BFN

(Note) The JEDEC SOP (FN) is not available in Japan.

## TC4094B 8 - STAGE SHIFT - AND - STORE BUSREGISTE

TC4094B is a SHIFT and STORE REGISTER that consists of an 8-bit shift register and an 8-bit latch. The read data in the shift register can be taken in the latch through the asynchronous STROBE input; therefore, the data transfer mode can hold output. And, since the parallel outputs is of 3-state construction, it can be directly connected to the 8-bit busline.

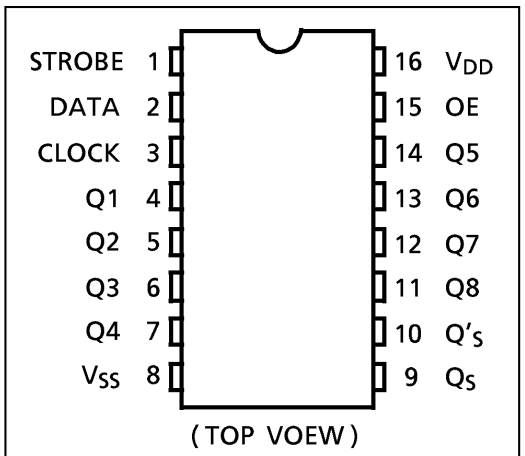
This register can be applied to Serial - to - parallel conversion, data receivers, etc.



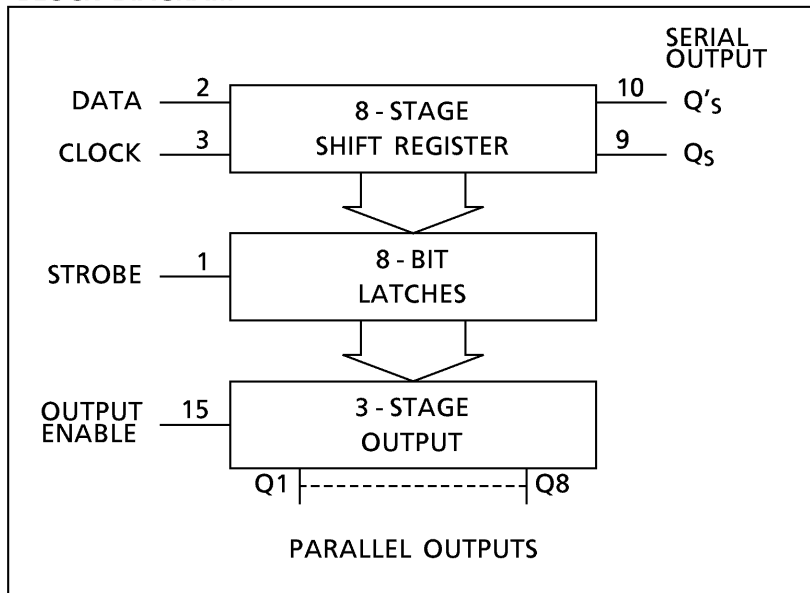
### MAXIMUM RATINGS

CHARACTERISTIC	SYMBOL	RATING	UNIT
DC Supply Voltage	$V_{DD}$	$V_{SS} - 0.5 \sim V_{SS} + 20$	V
Input Voltage	$V_{IN}$	$V_{SS} - 0.5 \sim V_{DD} + 0.5$	V
Output Voltage	$V_{OUT}$	$V_{SS} - 0.5 \sim V_{DD} + 0.5$	V
DC Input Current	$I_{IN}$	$\pm 10$	mA
Power Dissipation	$P_D$	300 (DIP) / 180 (SOIC)	mW
Operating Temperature Range	$T_{opr}$	-40~85	°C
Storage Temperature Range	$T_{stg}$	-65~150	°C

### PIN ASSIGNMENT



### BLOCK DIAGRAM

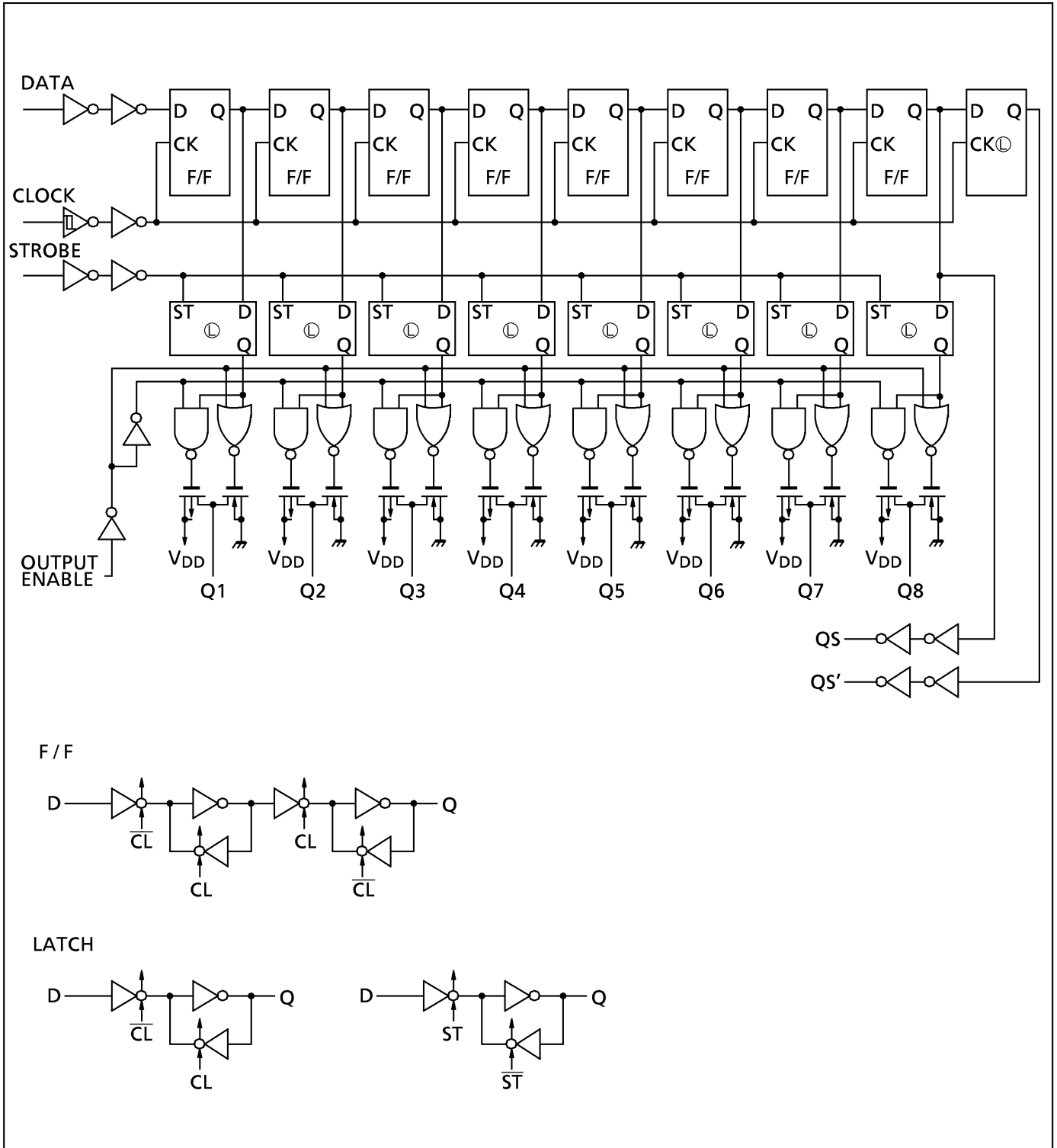


### TRUTH TABLE

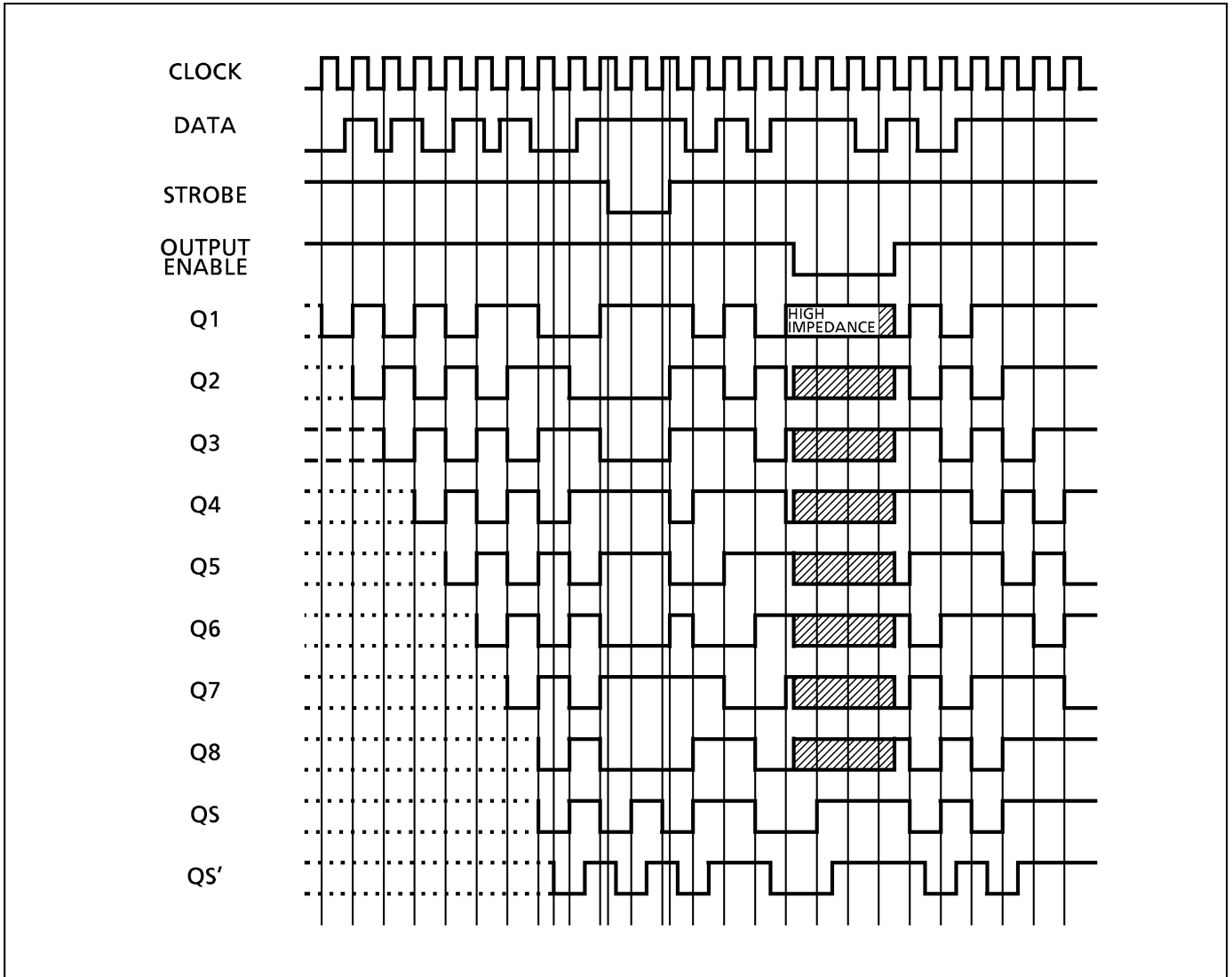
CL	OE	ST	D	PO		SO	
				Q1	Qn	Qs	Q's
$\uparrow$	H	H	L	L	Qn - 1	Q7	NC
$\uparrow$	H	H	H	H	Qn - 1	Q7	NC
$\uparrow$	H	L	X	NC	NC	Q7	NC
$\uparrow$	L	X	X	HZ	HZ	Q7	NC
$\downarrow$	H	X	X	NC	NC	NC	Qs
$\downarrow$	L	X	X	HZ	HZ	NC	Qs

CL = Clock  
 OE = Output Eneble  
 ST = Strobe  
 D = Data  
 PO = Parallel Outputs  
 SO = Serial Output  
 X = Don't Care  
 NC = No Change  
 HZ = High Impedance

LOGIC DIAGRAM



TIMING CHART



**RECOMMENDED OPERATING CONDITIONS ( $V_{SS} = 0V$ )**

CHARACTERISTIC	SYMBOL	TEST CONDITION	MIN.	TYP.	MAX.	UNITS
DC Supply Voltage	$V_{DD}$		3	—	18	V
Input Voltage	$V_{IN}$		0	—	$V_{DD}$	V

**STATIC ELECTRICAL CHARACTERISTICS ( $V_{SS} = 0V$ )**

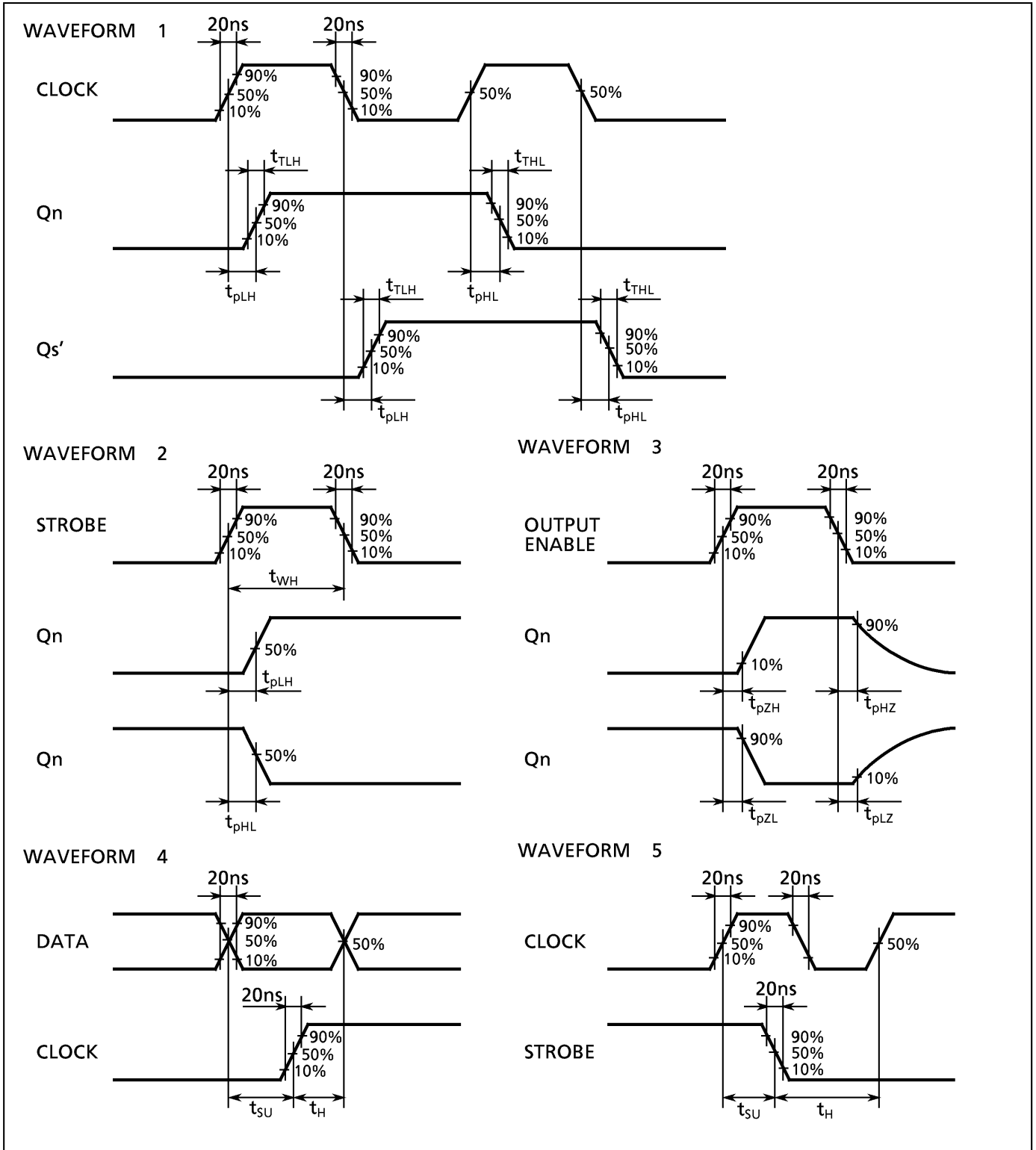
CHARACTERISTIC	SYM-BOL	TEST CONDITION	$V_{DD}$ (V)	- 40°C		25°C			85°C		UNIT	
				MIN.	MAX.	MIN.	TYP.	MAX.	MIN.	MAX.		
High-Level Output Voltage	$V_{OH}$	$ I_{OUT}  < 1\mu A$ $V_{IN} = V_{SS}, V_{DD}$	5	4.95	—	4.95	5.00	—	4.95	—	V	
			10	9.95	—	9.95	10.00	—	9.95	—		
			15	14.95	—	14.95	15.00	—	14.95	—		
Low-Level Output Voltage	$V_{OL}$	$ I_{OUT}  < 1\mu A$ $V_{IN} = V_{SS}, V_{DD}$	5	—	0.05	—	0.00	0.05	—	0.05	V	
			10	—	0.05	—	0.00	0.05	—	0.05		
			15	—	0.05	—	0.00	0.05	—	0.05		
Output High Current	$I_{OH}$	$V_{OH} = 4.6V$ $V_{OH} = 2.5V$ $V_{OH} = 9.5V$ $V_{OH} = 13.5V$ $V_{IN} = V_{SS}, V_{DD}$	5	-0.61	—	-0.51	-1.0	—	-0.42	—	mA	
			5	-2.50	—	-2.10	-4.0	—	-1.70	—		
			10	-1.50	—	-1.30	-2.2	—	-1.10	—		
			15	-4.00	—	-3.40	-9.0	—	-2.80	—		
Output Low Current	$I_{OL}$	$V_{OL} = 0.4V$ $V_{OL} = 0.5V$ $V_{OL} = 1.5V$ $V_{IN} = V_{SS}, V_{DD}$	5	0.61	—	0.51	1.2	—	0.42	—	mA	
			10	1.50	—	1.30	3.2	—	1.10	—		
			15	4.00	—	3.40	12.0	—	2.80	—		
Input High Voltage	$V_{IH}$	$V_{OUT} = 0.5V, 4.5V$ $V_{OUT} = 1.0V, 9.0V$ $V_{OUT} = 1.5V, 13.5V$ $ I_{OUT}  < 1\mu A$	5	3.5	—	3.5	2.75	—	3.5	—	V	
			10	7.0	—	7.0	5.50	—	7.0	—		
			15	11.0	—	11.0	8.25	—	11.0	—		
Input Low Voltage	$V_{IL}$	$V_{OUT} = 0.5V, 4.5V$ $V_{OUT} = 1.0V, 9.0V$ $V_{OUT} = 1.5V, 13.5V$ $ I_{OUT}  < 1\mu A$	5	—	1.5	—	2.25	1.5	—	1.5	V	
			10	—	3.0	—	4.50	3.0	—	3.0		
			15	—	4.0	—	6.75	4.0	—	4.0		
Input Current	"H" Level	$I_{IH}$	$V_{IH} = 18V$	18	—	0.1	—	$10^{-5}$	0.1	—	1.0	$\mu A$
	"L" Level	$I_{IL}$	$V_{IL} = 0V$	18	—	-0.1	—	$-10^{-5}$	-0.1	—	-1.0	
3-State Output Leakage Current	"H" Level	$I_{DH}$	$V_{OUT} = 18V$	18	—	0.4	—	$10^{-4}$	0.4	—	12	$\mu A$
	"L" Level	$I_{DL}$	$V_{OUT} = 0V$	18	—	-0.4	—	$-10^{-4}$	-0.4	—	-12	
Quiescent Supply Current	$I_{DD}$	$V_{IN} = V_{SS}, V_{DD} *$	5	—	5	—	0.005	5	—	150	$\mu A$	
			10	—	10	—	0.010	10	—	300		
			15	—	20	—	0.015	20	—	600		

\* All valid input combinations.

## DYNAMIC ELECTRICAL CHARACTERISTICS (Ta = 25°C, Vss = 0V, CL = 50pF)

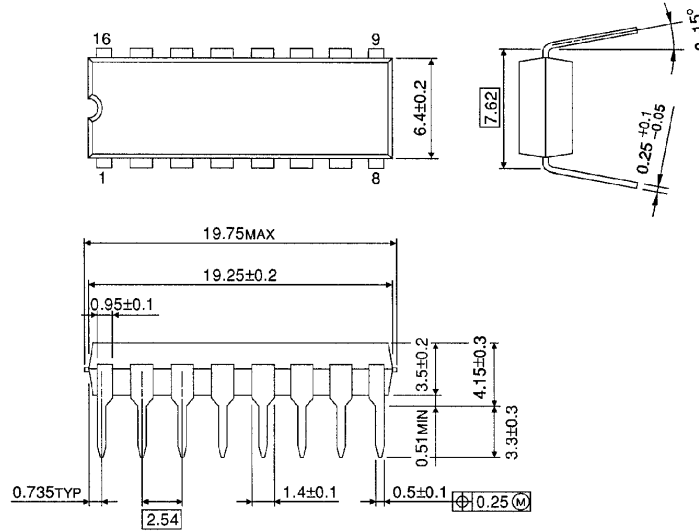
CHARACTERISTIC	SYMBOL	TEST CONDITION	V <sub>DD</sub> (V)	MIN.	TYP.	MAX.	UNIT	
Output Transition Time (Low to High)	t <sub>TLH</sub>		5	—	70	200	ns	
			10	—	35	100		
			15	—	30	80		
Output Transition Time (High to Low)	t <sub>THL</sub>		5	—	70	200		
			10	—	35	100		
			15	—	30	80		
Propagation Delay Time (CLOCK - Q <sub>s</sub> )	t <sub>pLH</sub> t <sub>pHL</sub>		5	—	150	600		
			10	—	75	250		
			15	—	55	190		
Propagation Delay Time (CLOCK - Q <sub>s</sub> )	t <sub>pLH</sub> t <sub>pHL</sub>		5	—	155	460		
			10	—	75	220		
			15	—	55	150		
Propagation Delay Time (CLOCK - Q <sub>n</sub> )	t <sub>pLH</sub> t <sub>pHL</sub>		5	—	190	840		
			10	—	90	390		
			15	—	65	270		
Propagation Delay Time (STROBE - Q <sub>n</sub> )	t <sub>pLH</sub> t <sub>pHL</sub>		5	—	150	580		
			10	—	70	290		
			15	—	50	200		
Three State Disable Time (OUTPUT ENABLE - Q <sub>n</sub> )	t <sub>pHZ</sub> t <sub>pZH</sub>	R <sub>L</sub> = 1kΩ	5	—	60	200		
			10	—	35	100		
			15	—	30	80		
Three State Disable Time (OUTPUT ENABLE - Q <sub>n</sub> )	t <sub>pLZ</sub> t <sub>pZL</sub>	R <sub>L</sub> = 1kΩ	5	—	70	200		
			10	—	40	100		
			15	—	35	80		
Min. Clock Pulse Width	t <sub>w</sub>		5	—	45	200		
			10	—	20	100		
			15	—	15	80		
Min. Pulse Width (STROBE)	t <sub>WH</sub>		5	—	40	200		
			10	—	20	80		
			15	—	15	70		
Max. Clock Frequency	f <sub>CL</sub>		5	1.25	6	—	MHz	
			10	2.50	12	—		
			15	3.00	16	—		
Min. Set-up Time (DATA - CLOCK)	t <sub>SU</sub>		5	—	0	125	ns	
			10	—	0	55		
			15	—	0	35		
Min. Hold Time (DATA - CLOCK)	t <sub>H</sub>		5	—	10	40		
			10	—	10	20		
			15	—	5	15		
Min. Set-up Time (CLOCK - STROBE)	t <sub>SU</sub>		5	—	90	200		
			10	—	40	100		
			15	—	30	80		
Min. Hold Time (CLOCK - STROBE)	t <sub>H</sub>		5	—	—	0		
			10	—	—	0		
			15	—	—	0		
Max. Clock Input Rise Time Max. Clock Input Fall Time	t <sub>rCL</sub> t <sub>fCL</sub>		5	No Limit				μs
			10					
			15					
Input Capacitance	C <sub>IN</sub>			—	5	7.5	pF	

WAVEFORMS FOR MEASUREMENT OF DYNAMIC CHARACTERISTICS



**DIP 16PIN PACKAGE DIMENSIONS (DIP16-P-300-2.54A)**

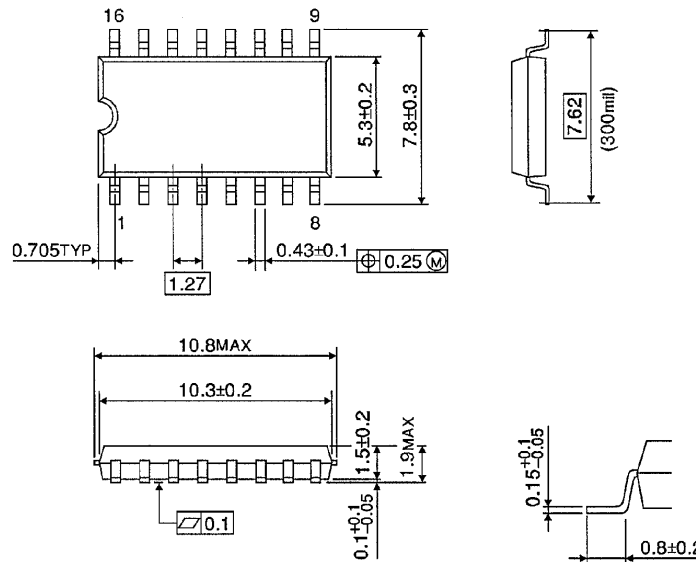
Unit in mm



Weight : 1.00g (Typ.)

**SOP 16PIN (200mil BODY) PACKAGE DIMENSIONS (SOP16-P-300-1.27)**

Unit in mm

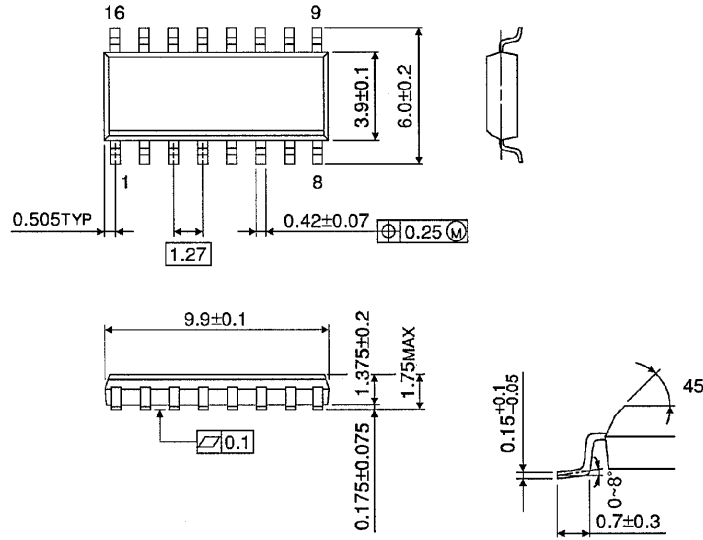


Weight : 0.18g (Typ.)

**SOP 16PIN (150mil BODY) PACKAGE DIMENSIONS (SOL16-P-150 -1.27)**

Unit in mm

(Note) This package is not available in Japan.



Weight : 0.13g (Typ.)



**RESTRICTIONS ON PRODUCT USE**

000707EBA

- TOSHIBA is continually working to improve the quality and reliability of its products. Nevertheless, semiconductor devices in general can malfunction or fail due to their inherent electrical sensitivity and vulnerability to physical stress. It is the responsibility of the buyer, when utilizing TOSHIBA products, to comply with the standards of safety in making a safe design for the entire system, and to avoid situations in which a malfunction or failure of such TOSHIBA products could cause loss of human life, bodily injury or damage to property. In developing your designs, please ensure that TOSHIBA products are used within specified operating ranges as set forth in the most recent TOSHIBA products specifications. Also, please keep in mind the precautions and conditions set forth in the "Handling Guide for Semiconductor Devices," or "TOSHIBA Semiconductor Reliability Handbook" etc..
- The TOSHIBA products listed in this document are intended for usage in general electronics applications (computer, personal equipment, office equipment, measuring equipment, industrial robotics, domestic appliances, etc.). These TOSHIBA products are neither intended nor warranted for usage in equipment that requires extraordinarily high quality and/or reliability or a malfunction or failure of which may cause loss of human life or bodily injury ("Unintended Usage"). Unintended Usage include atomic energy control instruments, airplane or spaceship instruments, transportation instruments, traffic signal instruments, combustion control instruments, medical instruments, all types of safety devices, etc.. Unintended Usage of TOSHIBA products listed in this document shall be made at the customer's own risk.
- The products described in this document are subject to the foreign exchange and foreign trade laws.
- The information contained herein is presented only as a guide for the applications of our products. No responsibility is assumed by TOSHIBA CORPORATION for any infringements of intellectual property or other rights of the third parties which may result from its use. No license is granted by implication or otherwise under any intellectual property or other rights of TOSHIBA CORPORATION or others.
- The information contained herein is subject to change without notice.