

PLEASE CHECK WWW.MOLEX.COM FOR LATEST PART INFORMATION

Part Number: [1044429702](#)
Status: **Active**
Description: .205 P-Lock Flag Terminal, Tin

Documents:

[Drawing \(PDF\)](#) [RoHS Certificate of Compliance \(PDF\)](#)
[Product Specification PS-104442-001 \(PDF\)](#)

General

Product Family	Crimp Terminals
Series	104441
Crimp Quality Equipment	Yes
Product Name	MP-Lock™

Physical

Durability (mating cycles max)	10
Gender	Female
Material - Metal	Brass
Material - Plating Mating	Tin
Material - Plating Termination	Tin
Packaging Type	Reel
Plating min: Mating (µin)	32.00
Plating min: Mating (µm)	0.800
Plating min: Termination (µin)	32.00
Plating min: Termination (µm)	0.80
Wire Insulation Diameter	N/A
Wire Size AWG	24
Wire Size mm²	N/A

Electrical

Current - Maximum per Contact	2.5A
-------------------------------	------

Material Info

Reference - Drawing Numbers

Packaging Specification	PK-104442-001
Product Specification	PS-104442-001
Sales Drawing	SD-104442-001

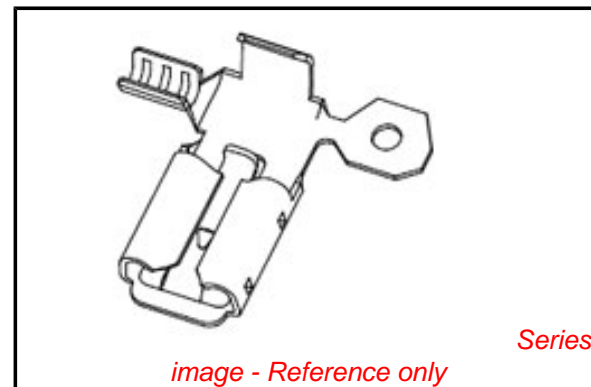


image - Reference only

EU RoHS

**ELV and RoHS
Compliant**
**REACH SVHC
Contains SVHC: No**
**Halogen-Free
Status
Not Reviewed**

China RoHS

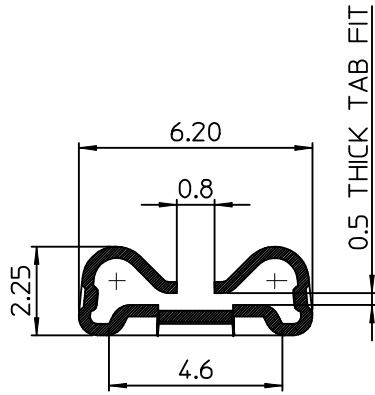


**Need more information on product
environmental compliance?**

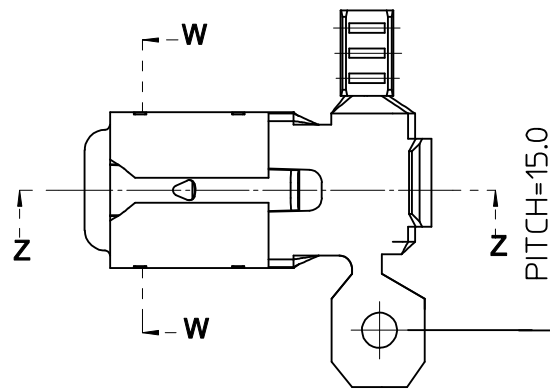
Email productcompliance@molex.com
 For a multiple part number RoHS Certificate of
 Compliance, [click here](#)

Please visit the [Contact Us](#) section for any
 non-product compliance questions.

Search Parts in this Series
[104441Series](#)

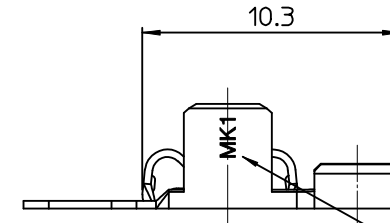
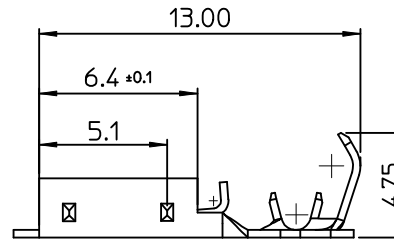
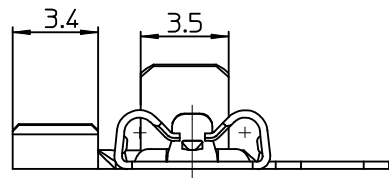
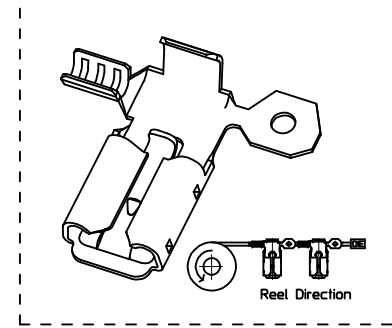


SECTION W-W

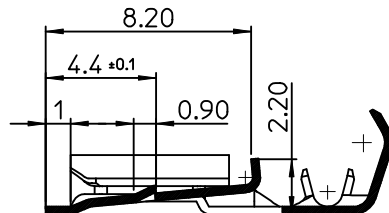


NOTES.

- 1.MATERIAL : BRASS
- 2.FINISH : PRE-TIN PLATED
0.8~1.8 μ m TIN PLATING
OVERALL 0.3~0.8 μ m COPPER PLATING
3. PRODUCT SPECIFICATION : PS-104442-001
4. PACKING SPECIFICATION : PK-104442-001
5. CRIMPING SPECIFICATION : CS-104442-001
6. MATED TAB : 0.5t
7. APPLICABLE WIRE RANGE :
AWG#24(UL1007)
AWG#24+AWG#24(UL1061)



TRADE MARK



SECTION Z-Z

NEW RELEASED EC NO: KOR2009-0084 DRWN: JHPARK01 2009/03/02 CHKD: WYANG 2009/03/02 APPR: YUNSIKKIM 2009/03/02	DESCRIPTION REV A	QUALITY SYMBOLS ▽=0 ▽=0	GENERAL TOLERANCES (UNLESS SPECIFIED)		DIMENSION STYLE MM ONLY		SCALE 5:1	DESIGN UNITS METRIC	THIRD ANGLE PROJECTION	
		4 PLACES ± --- ± --- 3 PLACES ± --- ± --- 2 PLACES ± 0.20 ± --- 1 PLACE ± 0.30 ± ---	mm INCH ± --- ± --- ± 0.20 ± --- ± 0.30 ± ---	DRAWN BY JH. PARK	DATE 2009/02/27	TITLE .205 P-LOCK FLAG TERMINAL				
		ANGULAR ± 1 °		CHECKED BY WY. YANG	DATE 2009/02/27	APPROVED BY EH. JUNG		DATE 2009/02/27	molex MOLEX INCORPORATED	
		DRAFT WHERE APPLICABLE MUST REMAIN WITHIN DIMENSIONS		SEE NOTES		MATERIAL NO.	DOCUMENT NO. SD-104442-001	SHEET NO. 1 OF 01		