

Low Profile Home Phone Networking Analog Magnetics Module

EPB5135G



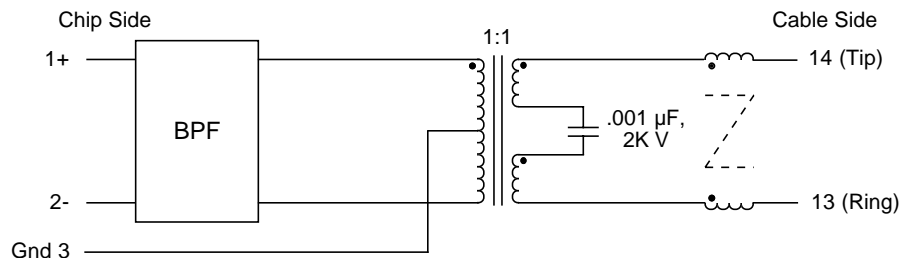
- Optimized for AMD79C978, Conexant CN7221 •
& National DP83851 Chips
- UL/IEC 950 Approved File # 132261 •
- Supports TUT Systems HPN Architecture •
- Robust construction allows for reflow processes •
- Temperature Range -40°C to +85°C •

Electrical Parameters @ 25° C

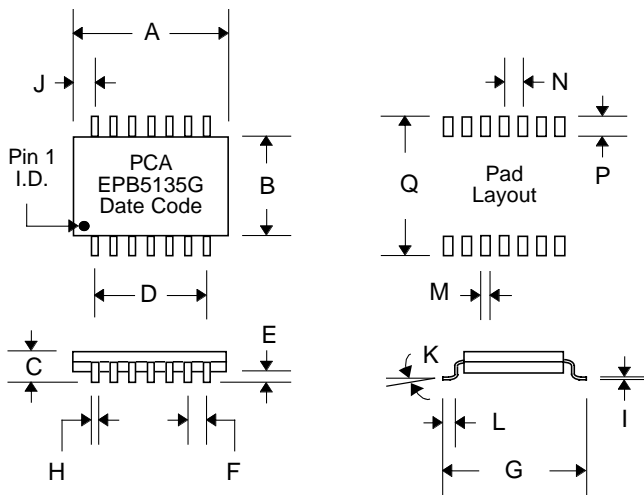
Cut-off Frequency		Insertion Loss (dB Max.)	Return Loss (dB Min.)	Attenuation (dB Min.)				CMRR (dB Min.)		
Lower Band MHz	Upper Band MHz			@ 1 MHz	@ 4 MHz	@ 14 MHz	@ 27 MHz	@ 100 MHz	@ 200 MHz	@ 300 MHz
4.0-5.8	9-11	6.0-9.0 MHz	6.0-9.0 MHz	-50	-15	-15	-35	-40	-35	-30

• Filter Characteristic Impedance : 100 Ω Isolation : 1500 Vrms •

Schematic



Package



Dimensions

Dim.	(Inches)			(Millimeters)		
	Min.	Max.	Nom.	Min.	Max.	Nom.
A	.780	.800	.790	19.81	20.32	20.07
B	.510	.530	.520	12.96	13.46	13.21
C	.084	.092	.088	2.13	2.34	2.23
D	---	---	.600	---	---	15.24
E	.003	.010	.005	.076	.254	.127
F	---	---	.100	---	---	2.54
G	.660	.680	.670	16.76	17.27	17.02
H	.017	.022	.020	.432	.559	.508
I	.008	.013	.011	.203	.330	.279
J	---	---	.095	---	---	2.41
K	0°	8°	---	0°	8°	---
L	.025	.045	.040	.635	1.14	1.02
M	---	---	.030	---	---	.762
N	---	---	.100	---	---	2.54
P	---	---	.085	---	---	2.16
Q	---	---	.700	---	---	17.78