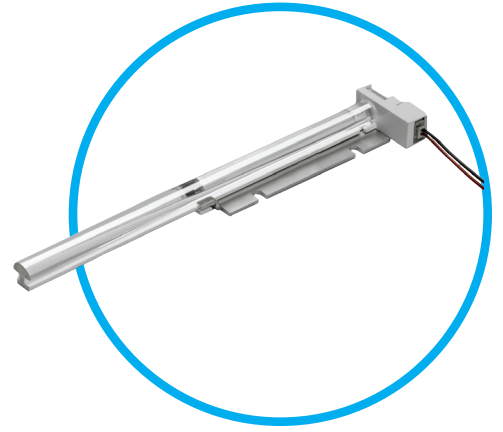




# High Intensity LED Light Pipe



Linear light source that projects a band of light along the entire length of the light pipe using one or more LEDs.

## Lighting applications

- **accent/trim lighting** - commercial buildings, commercial aircraft, and rail cars
- **industrial** - panel and cabinet illumination, service lighting, plant lighting
- **automotive** - ambient lighting, contour illumination
- **architectural** - wall wash, alcove, back lighting
- **signage** - advertisement lighting

## Key features

- complete solution with LED, light pipe, mounting bracket, and wires
- optical grade acrylic used for maximum light output and performance
- available lengths of 90mm, 152mm, and 305mm
- various colors available
- select the double-sided version (305mm) for intense light output
- RoHS compliant
- custom options available

## Product specifications

Parameter	Symbol	Condition	Color	Min	Typ	Max
Forward voltage	$V_F$	IF=350mA	blue		3.2V	3.9V
			red		2.1V	2.5V
			green		3.4V	3.9V
		IF=150mA	white		3.2V	3.6V
Reverse voltage	$V_R$		blue red green			5V
Reverse current	$I_R$		white			85mA
Illuminance (tolerance +/-10%)	$I_v \text{ avg}$	IF=350mA	blue		330, 375, 680 lux	
			red		680, 710, 1430 lux	
			green		1000, 1380, 2000 lux	
		IF=150mA	white		500, 610, 1050 lux	

## Product specifications

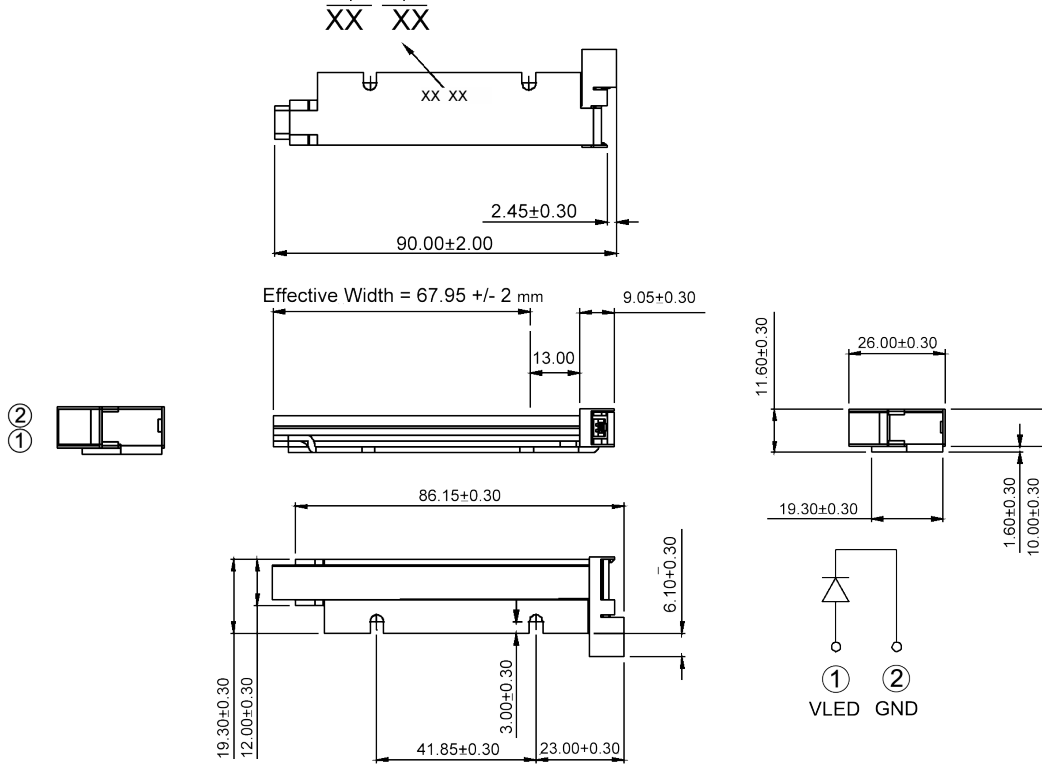
Parameter	Symbol	Condition	Color	Min	Typ	Max
Uniformity of illuminance	$\Delta I_v$	IF=350mA	blue red green			40%
		IF=150mA	white			
LED junction temperature	RTHJS		all			135° C
Wavelength	$\lambda_d$	IF=350mA	blue	465nm		485nm
			red	620nm		630nm
			green	520nm		535nm
Chromaticity	x	IF=150mA	white	0.287	0.31	0.33
Coordinates	y	IF=150MA		0.295	0.32	0.33
Effective length			all			90mm, 152mm, 305mm
Effective width			all			130mm, 260mm
Note: Electrical and optical characteristics (Ta=25°C)						

## Ordering data

Part number	Color	Length (mm)
VAOLS-1SB1103	Blue	152
VAOLS-1SB1104	Blue	90
VAOLS-1SB2201	Blue	305
VAOLS-1SG1103	Green	152
VAOLS-1SG1104	Green	90
VAOLS-1SG2201	Green	305
VAOLS-1SR1103	Red	152
VAOLS-1SR1104	Red	90
VAOLS-1SR2201	Red	305
VAOLS-1SW1103	White	152
VAOLS-1SW1104	White	90
VAOLS-1SW2201	White	305

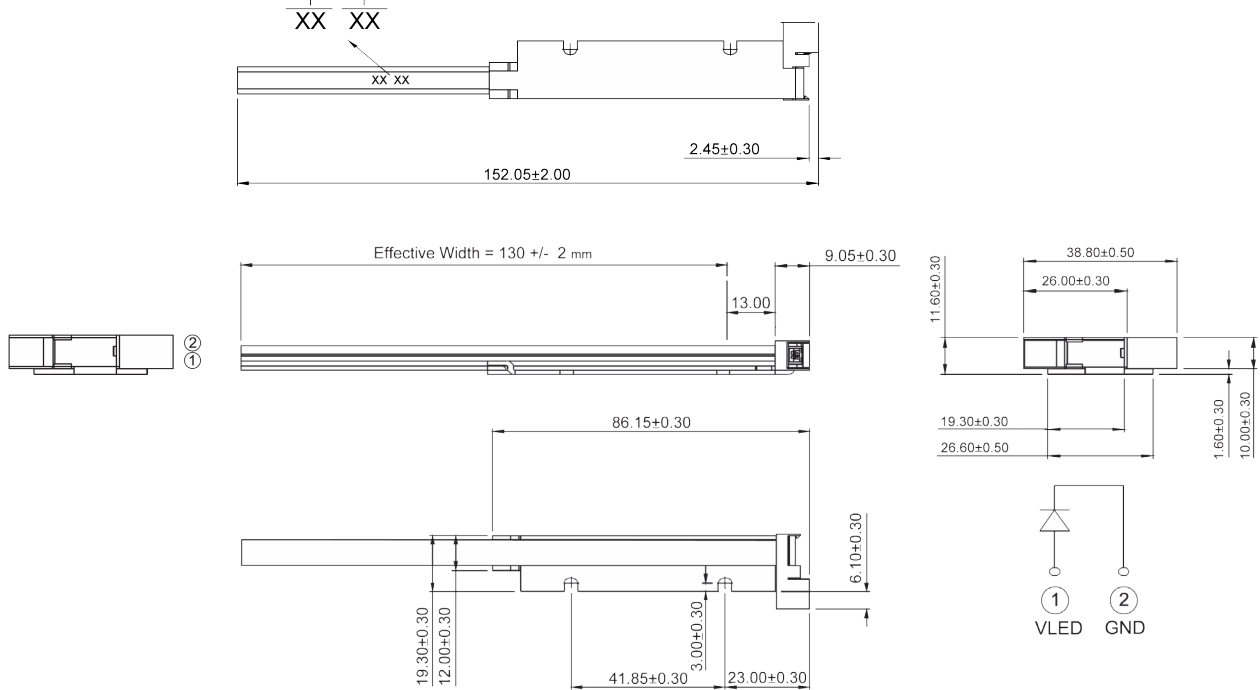
## Dimensions for 90mm (1/2 scale)

Week : 01 - 52  
 Year : 09 means 2009  
 10 means 2010



## Dimensions for 152mm (1/2 scale)

Week : 01 - 52  
 Year : 09 means 2009  
 10 means 2010



# Dimensions for 305mm (1/3 scale)

Week : 01 - 52  
 Year : 09 means 2009  
 10 means 2010

XX XX

