

THIS DRAWING IS UNPUBLISHED.

RELEASED FOR PUBLICATION

© COPYRIGHT - By -

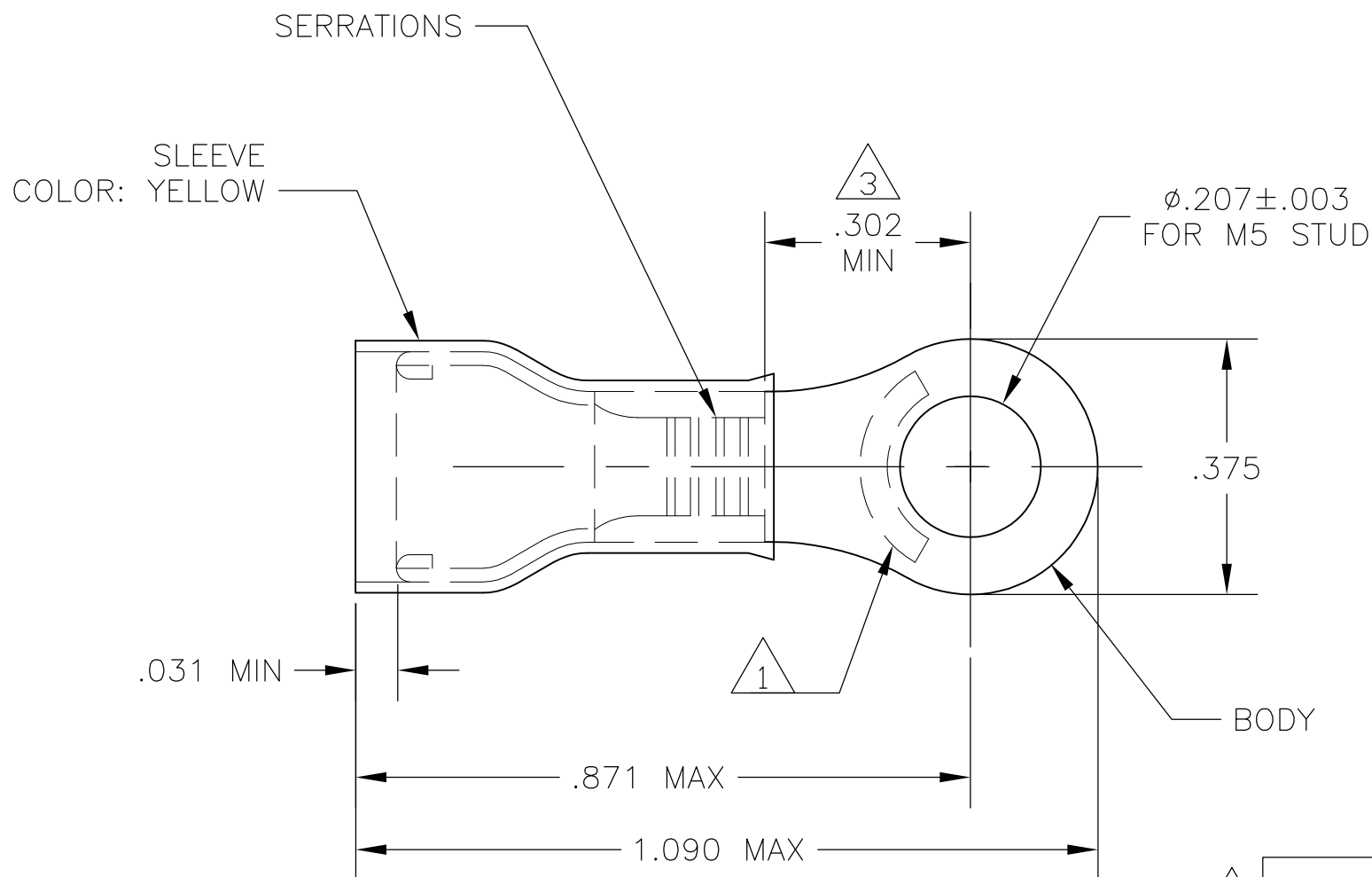
ALL RIGHTS RESERVED.

LOC
G

DIST
14

REVISIONS

P	LTR	DESCRIPTION	DATE	DWN	APVD
	B2	REVISED PER ECO-11-004820	11MAR11	RK	HMR



- 1 STAMP "AMP 12-10*", LOCATION APPROX AS SHOWN.
- 2 TONGUE THICKNESS IS $.039 \pm .002$
- 3 APPLIES TO EDGE OF METAL WIRE BARREL TO CENTER OF STUD HOLE.
- 4 FOR AMP BRAZIL PRODUCTION ONLY
- 5 BODY - COPPER PER ASTM B-152
SLEEVE - COPPER PER ASTM B-152
INSULATION - NYLON
- 6 BODY - TIN PL PER ASTM B-545
SLEEVE - TIN PL PER ASTM B-545
INSULATION - COLOR - YELLOW
- 7 105°C MAX OPERATING TEMPERATURE.
- 8 300 VOLT MAX
- 9 2.62-6.64mm² [5,180 - 13,100 CMA]
SOLID OR STRANDED
- 10 OBSOLETE PARTS: OBSOLETE CIS STREAMLINING PER D.RENAUD/D.SINISI

WIRE INSULATION OD RANGE	QTY	PACKAGE TYPE	PART NO
.150-.250	25	LOOSE PIECE	8-130171-1
.150-.250	2500	REELED ON TAPE	2-130171-1
.170-.300	-	LOOSE PIECE	4 130171-1
.150-.250	500	LOOSE PIECE	130171

THIS DRAWING IS A CONTROLLED DOCUMENT.

DIMENSIONS: INCHES	TOLERANCES UNLESS OTHERWISE SPECIFIED:
	0 PLC ± -
	1 PLC ± -
	2 PLC ± -
	3 PLC ± .008
	4 PLC ± -
	ANGLES ± 5°
MATERIAL	FINISH
5	6

DWN jr_ruth 20FEB06	NAME
CHK T MICHIELUTTI 20FEB06	
APVD T MICHIELUTTI 20FEB06	RESTRICTED TO
PRODUCT SPEC	
APPLICATION SPEC	
WEIGHT	

STE TE Connectivity			
TERMINAL RING TONGUE, PIDG, WIRE SIZE 12:10			
SIZE	CAGE CODE	DRAWING NO	RESTRICTED TO
A3	00779	C-130171	-
CUSTOMER DRAWING		SCALE 4:1	SHEET 1 OF 1 REV B2