

# MEDICAL GRADE COMMON MODE CHOKE



## MX5023



- Good for use in Medical Switch Mode Power Supply applications
- Complies with IEC60950 and UL60601 reinforced isolation
- Hipot: 4000V<sub>RMS</sub> (1-2 to 4-3)
- Operating Temperature: 0°C to +100°C
- RoHS Compliant Product
- Custom design available upon request

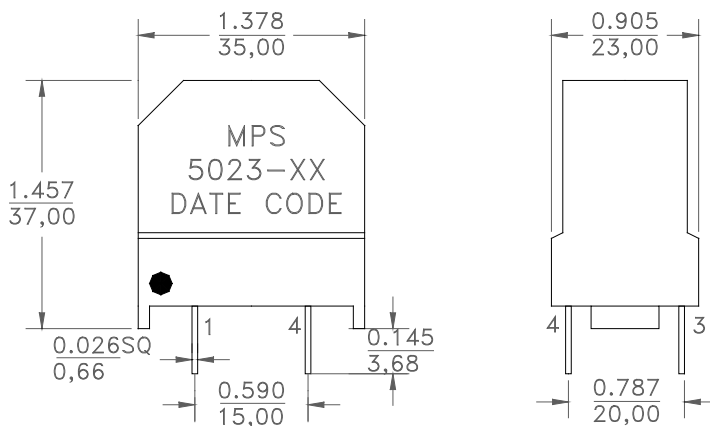
### ELECTRICAL SPECIFICATION @ 25°C

| Part No. | OCL 1KHz<br>mH Min<br>(1-2) | DCR<br>Ω Max<br>(1-2) | I <sub>RMS</sub><br>A<br>Max |
|----------|-----------------------------|-----------------------|------------------------------|
| MX5023-  |                             |                       |                              |
| 102      | 1.0                         | 0.015                 | 9.0                          |
| 202      | 2.0                         | 0.030                 | 6.0                          |
| 302      | 3.0                         | 0.100                 | 4.0                          |
| 502      | 5.0                         | 0.250                 | 2.5                          |

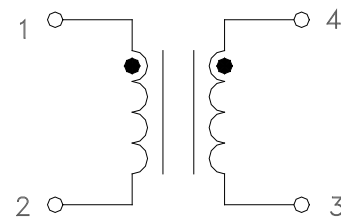
#### Note:

- Turns Ratio: 1:1 ±5% (1-2 to 4-3)
- Polarity: 1 and 4 are in phase
- I<sub>RMS</sub>: Temperature change of 35°C rise max at rated I<sub>RMS</sub>

### MECHANICAL



### SCHEMATIC



Product performance is limited to specified parameters.  
Data is subject to change without prior notice.

**Dimensions**  
Unless otherwise specified, all tolerances are:  
inch: .XX : ±0.015 .XXX : ±0.004  
mm: X,X : ±0,38 X,XX : ±0,10

13200 Estrella Ave., Bldg. B  
Gardena, CA 90248

Tel: 310-325-1043  
Fax: 310-325-1044

www.mpsind.com  
sales@mpsind.com