

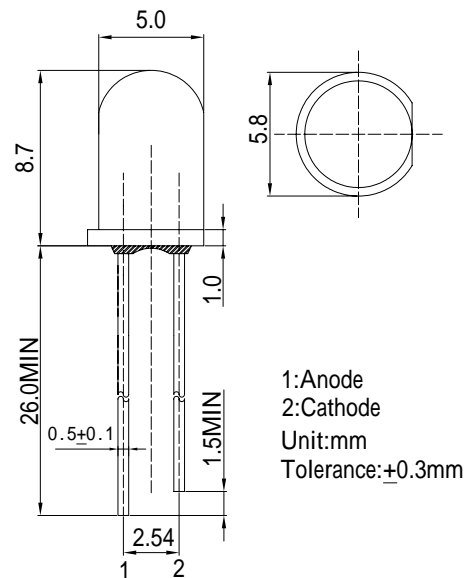
### Features

High Luminous LEDs  
 5mm Round Standard Directivity  
 Superior Weather-resistance  
 UV Resistant Epoxy  
 Water Clear Type

### Applications

Electronic Signs And Signals  
 Small Area Illuminations  
 Back Lighting  
 Other Lighting

### Outline Dimension



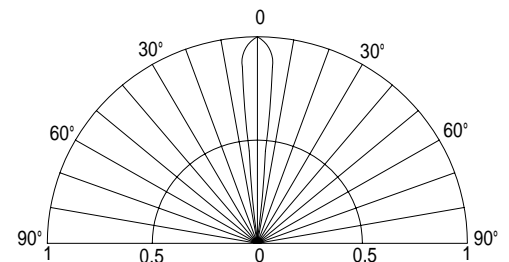
### Absolute Maximum Rating

( $T_a=25$  )

Item	Symbol	Value	Unit
DC Forward Current	$I_F$	30	mA
Pulse Forward Current*	$I_{FP}$	100	mA
Reverse Voltage	$V_R$	5	V
Power Dissipation	$P_D$	108	mW
Operating Temperature	$T_{opr}$	-30 ~ +85	
Storage Temperature	$T_{stg}$	-40 ~ +100	
Lead Soldering Temperature	$T_{sol}$	260 /5sec	-

\*Pulse width Max.10ms Duty ratio max 1/10

### Directivity



### Electrical -Optical Characteristics

( $T_a=25$  )

Item	Symbol	Condition	Min.	Typ.	Max.	Unit
DC Forward Voltage	$V_F$	$I_F=20mA$	2.9	3.1	3.6	V
DC Reverse Current	$I_R$	$V_R=5V$	-	-	10	$\mu A$
Domi. Wavelength*	$\lambda_D$	$I_F=20mA$	465	470	475	nm
Luminous Intensity*	$I_v$	$I_F=20mA$	-	14000	-	mcd
50% Power Angle	$2\theta_{1/2}$	$I_F=20mA$	-	15	-	deg

\*1 Tolerance of dominant wavelength is  $\pm 1nm$

\*2 Tolerance of luminous intensity is  $\pm 15\%$