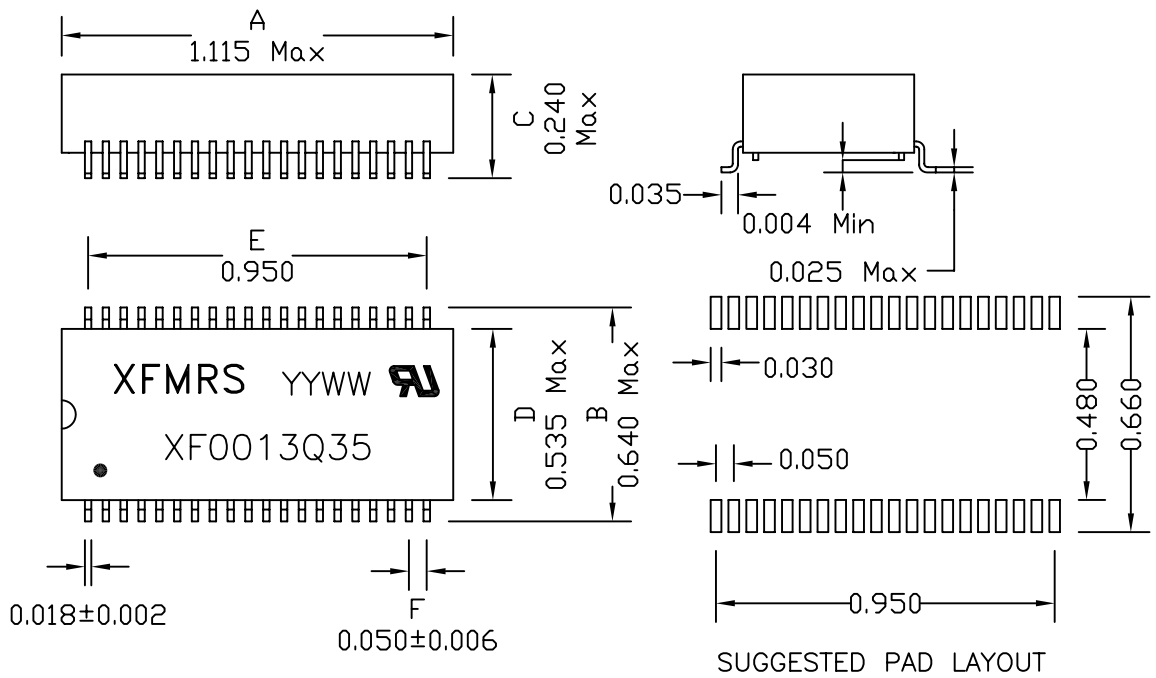
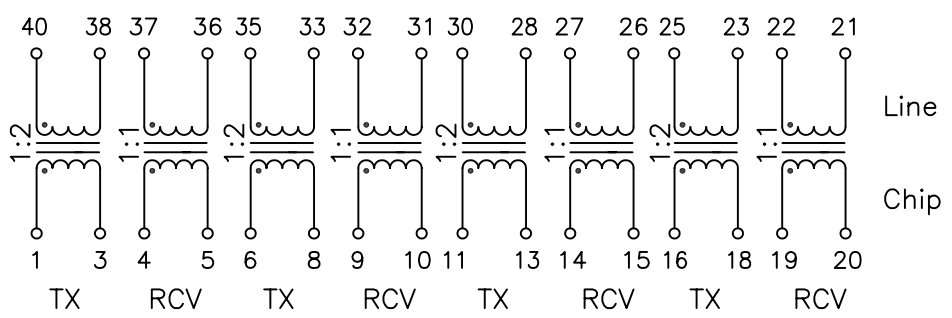


### 1. Mechanical Dimensions:



### 2. Schematic:



### 3. Electrical Specifications: @25°C

- Isolation: 1500Vrms, Chip to Line
- TX Turns Ratio: 1:2 (Chip:Line) ±2%
- RCV Turns Ratio: 1:1 (Chip:Line) ±2%
- TX Chip OCL: 1.20mH Min @10KHz 50mV
- RCV Chip OCL: 1.20mH Min @10KHz 50mV
- Chip Q: 12 Min @10KHz 50mV
- TX Chip LL: 0.6uH Max @1MHz 50mV, Short Line
- RCV Chip LL: 0.6uH Max @1MHz 50mV, Short Line
- TX Cw/w: 35pF Max @100KHz 50mV (Chip/Line)
- RCV Cw/w: 35pF Max @100KHz 50mV (Chip/Line)
- TX Chip DCR: 0.60 Ohms Maximum
- TX Line DCR: 1.20 Ohms Maximum
- RCV Chip & Line DCR: 0.60 Ohms Maximum

#### Notes:

- Solderability: Leads shall meet MIL-STD-202G, Method 208H for solderability.
- Flammability: UL94V-0
- ASTM oxygen index: > 28%
- Insulation System: Class F 155°C. UL file E151556
- Operating Temperature Range: All listed parameters are to be within tolerance from -40°C to +85°C
- Storage Temperature Range: -55°C to +125°C
- Aqueous wash compatible
- SMD Lead Coplanarity: ±0.004" (0.102mm)
- Electrical and mechanical specifications 100% tested
- RoHS Compliant Component

<b>XFMRS Inc</b> <a href="http://www.XFMRS.com">www.XFMRS.com</a>	Title: T1/E1/CEPT QUAD PORT		
	UNLESS OTHERWISE SPECIFIED TOLERANCES: .xxx ±0.010 Dimensions in INCH	P/N: XF0013Q35	REV. A
SHEET 1 OF 1	DWN. CHK. APP.	XianYi YK Liao BW	Feb-14-09 Feb-14-09 Feb-14-09

DOC REV: A/7