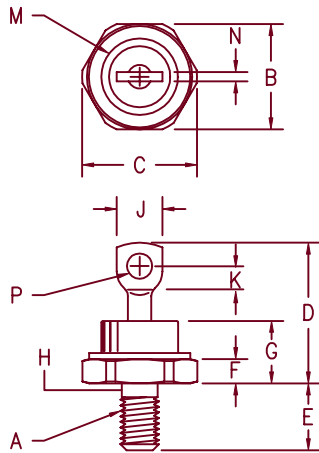


Silicon Power Rectifier S/R34 Series



- Notes:
1. Full threads within 2 1/2 threads
 2. Standard Polarity: Stud is Cathode
Reverse Polarity: Stud is Anode

Dim.	Inches		Millimeter		Notes
	Minimum	Maximum	Minimum	Maximum	
A	----	----	----	----	1/4-28
B	.677	.687	17.19	17.44	
C	----	.793	----	20.14	
D	----	1.00	----	25.40	
E	.427	.447	10.84	11.35	
F	.115	.200	2.92	5.08	
G	----	.450	----	11.43	
H	.220	.249	5.59	6.32	1
J	----	.375	----	9.52	
K	.156	----	3.97	----	
M	----	.667	----	16.94	Dia
N	----	.080	----	2.03	
P	.140	.175	3.56	4.44	Dia

D0203AB (D05)

Microsemi
Catalog Number
Standard

*S3410
*S3420
*S3440
*S3460
*S3480
*S34100
*S34120
*S34140
*S34160

Peak Reverse
Voltage

100V
200V
400V
600V
800V
1000V
1200V
1400V
1600V

*Change S to R in part number for Reverse Polarity

- Glass Passivated Die
- 800A surge rating
- Glass to metal seal construction
- V_{RRM} to 1600V

Electrical Characteristics

Average forward current	IF(AV) 45 Amps	$T_C = 123^\circ\text{C}$, half sine wave, $R_{\theta JC} = 1.75^\circ\text{C/W}$
Maximum surge current	IFSM 800 Amps	8.3ms, half sine, $T_J = 200^\circ\text{C}$
Max I ² t for fusing	I ² t 2600 A ² s	
Max peak forward voltage	V _{FM} 1.15 Volts	I _{FM} = 90A: T _J = 25°C*
Max peak reverse current	I _{RM} 10 μA	V _{RRM} , T _J = 25°C
Max peak reverse current	I _{RM} 2.0 mA	V _{RRM} , T _J = 150°C
Max Recommended Operating Frequency	10kHz	

*Pulse test: Pulse width 300 μsec. Duty cycle 2%

Thermal and Mechanical Characteristics

Storage temperature range	T _{STG}	-65°C to 200°C
Operating junction temp range	T _J	-65°C to 200°C
Maximum thermal resistance	R _{θJC}	1.75°C/W Junction to Case
Mounting torque		25-30 inch pounds
Weight		.5 ounces (14 grams) typical

3-25-03 Rev. 2

S/R34

Figure 1
Typical Forward Characteristics

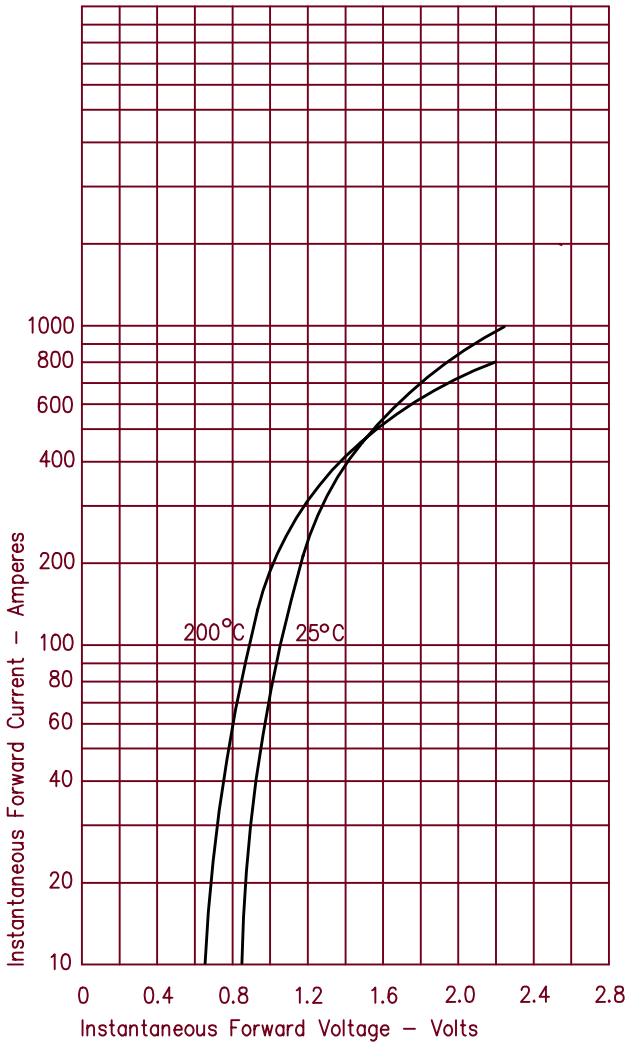


Figure 3
Forward Current Derating

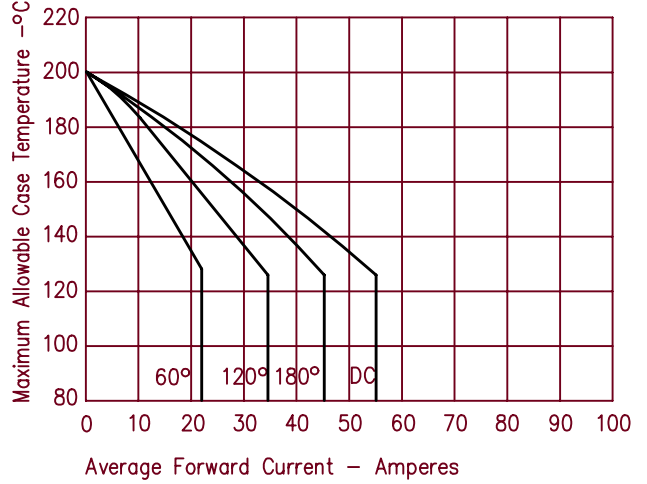


Figure 4
Maximum Forward Power Dissipation

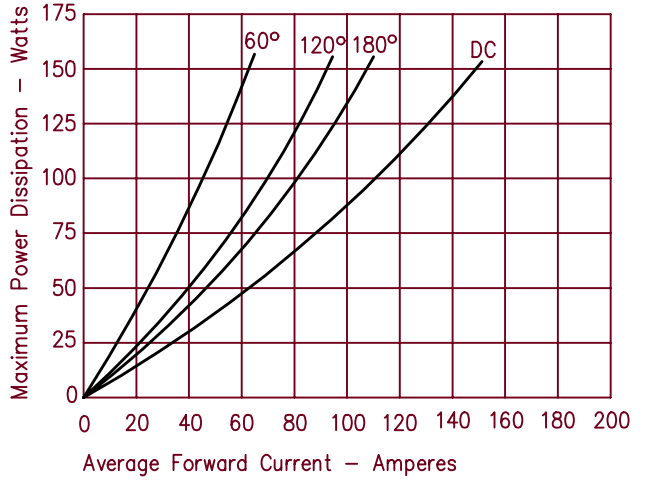


Figure 2
Typical Reverse Characteristics

