

PLEASE CHECK WWW.MOLEX.COM FOR LATEST PART INFORMATION

Part Number: [0358981410](#)
Status: **Active**
Description: 1.02mm (.040") Tab, Wire-to-Wire Housing, Female, 14 Circuits

Documents:

[3D Model](#) [Product Specification PS-104000-001 \(PDF\)](#)
[Drawing \(PDF\)](#) [RoHS Certificate of Compliance \(PDF\)](#)

General

Product Family Crimp Housings
 Series [35898](#)
 Product Name N/A

Physical

Circuits (maximum) 14
 Color - Resin Natural, Yellow
 Gender Female
 Glow-Wire Compliant No
 Material - Resin Polyester
 Number of Rows 2
 Packaging Type Bag
 Panel Mount Yes
 Pitch - Mating Interface (in) 0.098 In
 Pitch - Mating Interface (mm) 2.50 mm
 Stackable No
 Temperature Range - Operating -40°C to +80°C

Material Info

Reference - Drawing Numbers

Product Specification PS-104000-001
 Sales Drawing SD-35898-002

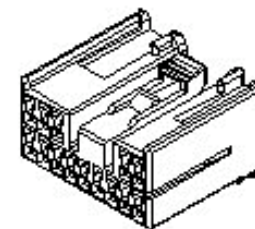


image - Reference only

Series

EU RoHS

**ELV and RoHS
Compliant**
REACH SVHC
 Not Reviewed
**Halogen-Free
Status**

China RoHS



**Need more information on product
environmental compliance?**

Email productcompliance@molex.com
 For a multiple part number RoHS Certificate of Compliance, [click here](#)

Please visit the [Contact Us](#) section for any non-product compliance questions.

Search Parts in this Series

[35898Series](#)

Mates With

[35899](#)

Use With

[50654](#) , [50660](#)

DWG. NO. SD-35898-002

SIMILAR ITEM

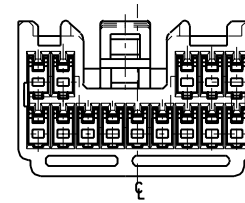
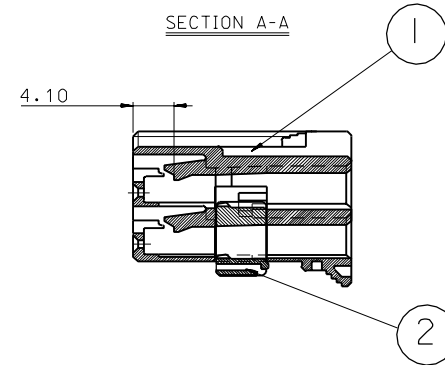
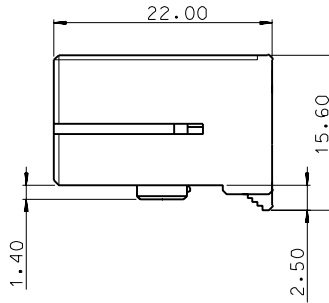
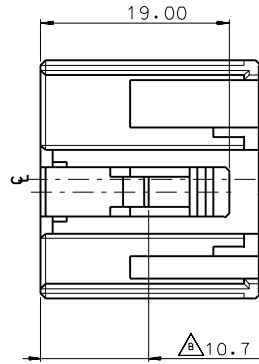
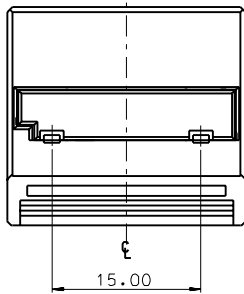
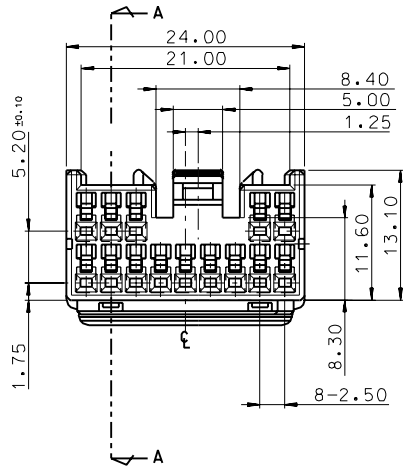
PROJECT NO.

C

B

DO NOT SCALE DRAWING
DIMENSION IN METRIC

NO.	PART NO.	PART NAME	MATERIAL	REMARK
1	35898-1490	.040 F/HSG 14P	POLYESTER	WHITE
2	35898-1483	.040 FEMALE TPA 14P	POLYESTER	YELLOW



NOTE

- MATERIAL & FINISH: SEE TABLE
- APPLICATION: .040 MALE HOUSING ASS'Y 14P(ENG. NO.:35899-1410)

NO.	MATERIAL NO.	ENG. NO.
	35898 1410	35898-1410

RELEASE TO MANUFACTURING
EC NO.:KOR2002-0139
DRWN: H.C.RHO 02/06/25
CHK: H.C.RHO 02/06/25
APPR: C.W.LEE 02/06/25

QUALITY SYMBOLS
MAJOR =
CRITICAL =
DESCRIPTION

	GENERAL TOLERANCES: (UNLESS SPECIFIED)	
	MM	INCH
4 PLACES	±0.	±.
3 PLACES	±0.	±.
2 PLACES	±0.2	±.
1 PLACE	±0.3	±.
ANGULAR: ± 1 °		

SCALE 2:1
DESIGN UNITS MM INCH
DRAWN BY & DATE
00/06/08 H.C.RHO
CHECKED BY & DATE
00/06/08 B.K.CHOI
APPROVED BY & DATE
00/06/08 C.W.LEE
CAD FILENAME
4FHA14

DIMENSIONS:
 MM INCH MM ONLY
THIRD ANGLE PROJECTION
TITLE:
.040 FEMALE HOUSING ASS'Y 14P
MATERIAL NO. SEE CHART
DRAWING NO. SD-35898-002
SHEET NO. 1 OF 1
SIZE B

THIS DRAWING CONTAINS INFORMATION THAT IS PROPRIETARY TO MOLEX INCORPORATED AND SHOULD NOT BE USED WITHOUT WRITTEN PERMISSION.