

# Spezifikation für Freigabe / specification for release

Kunde / customer :

Artikelnummer / part number : **7448227005**

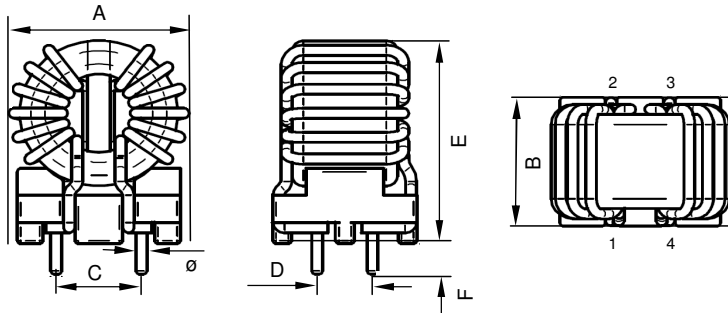
Bezeichnung : **STROMKOMP. DROSSEL WE-CMB HC**

description : **COMMON MODE CHOKE WE-CMB HC**



DATUM / DATE : 2009-01-20

## A Mechanische Abmessungen / dimensions:

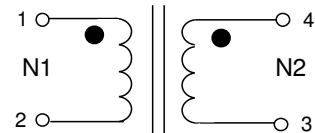


	S	
A	<b>18,5 max</b>	mm
B	<b>14,5 max</b>	mm
C	<b>7,7 ± 0,5</b>	mm
D	<b>5,0 ± 0,5</b>	mm
E	<b>22,0 max.</b>	mm
F	<b>3,5 ± 0,5</b>	mm
ø	<b>1,0 typ.</b>	mm

## B Elektrische Eigenschaften / electrical properties:

Eigenschaften / properties	Testbedingungen / test conditions		Wert / value	Einheit / unit	tol.
Leerlauf-Induktivität / inductance	100 kHz / 0,1 mA / 20 °C	$L_0$	<b>450</b>	µH	±30%
DC-Widerstand / DC-resistance	@ 20 °C	$R_{DC}$	<b>8,1</b>	mΩ	±10%
Nennstrom / rated current	@ 70 °C	$I_N$	<b>6,50</b>	A	max.
Nennspannung / rated voltage	50 Hz	$U_N$	<b>250</b>	V	max.

## C Schaltbild / schematic:



## D Prüfgeräte / test equipment:

**WAYNE KERR WK3260B/WK3265** für/for  $L_0$  und/and  $R_{DC}$

**HP 34401 A** für/for IN

## E Testbedingungen / test conditions:

Luftfeuchtigkeit / humidity:	33%
Umgebungstemperatur / temperature:	+20 °C
Prüfspannung / testing voltage	1500 V, 50 Hz
	5mA, 2 sec.

## F Werkstoffe & Zulassungen / material & approvals:

Sockel / base:	UL94V-0
Draht / wire:	Class F
Kleber / glue:	UL94V-2
Abstandhalter / spacer:	UL94V-0

## G Eigenschaften / general specifications:

Klimabeständigkeit/ climatic class:	40/125/21
Betriebstemp. / operating temperature:	-40 °C - + 125 °C
Übertemperatur / temperature rise:	< 55 K
It is recommended that the temperature of the part does not exceed 125 °C under worst case operating conditions.	

Freigabe erteilt / general release:

**Kunde / customer**

Datum / date

Unterschrift / signature

**Würth Elektronik**

Geprüft / checked

Kontrolliert / approved

BKo	Version 1	09-01-30
Name	<b>Änderung / modification</b>	Datum / date

This electronic component has been designed and developed for usage in general electronic equipment. Before incorporating this component into any equipment where higher safety and reliability is especially required or if there is the possibility of direct damage or injury to human body, for example in the range of aerospace, aviation, nuclear control, submarine, transportation, (automotive control, train control, ship control), transportation signal, disaster prevention, medical, public information network etc, Würth Elektronik eiSos GmbH must be informed before the design-in stage. In addition, sufficient reliability evaluation checks for safety must be performed on every electronic component which is used in electrical circuits that require high safety and reliability functions or performance.

## Würth Elektronik eiSos GmbH & Co. KG

D-74638 Waldenburg · Max-Eyth-Strasse 1 - 3 · Germany · Telefon (+49) (0) 7942 - 945 - 0 · Telefax (+49) (0) 7942 - 945 - 400  
http://www.we-online.com

# Spezifikation für Freigabe / specification for release

Kunde / customer :

Artikelnummer / part number : **7448227005**

Bezeichnung : **STROMKOMP. DROSSEL WE-CMB HC**

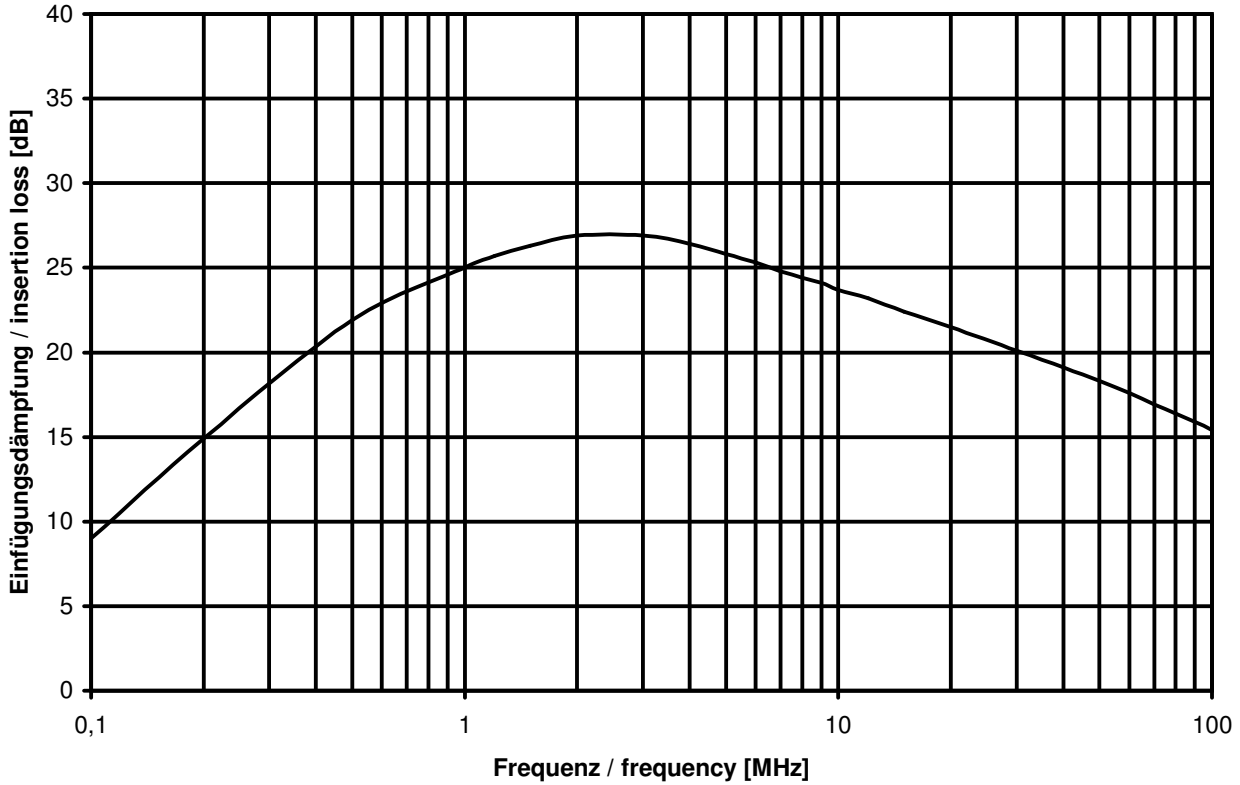
description : **COMMON MODE CHOKE WE-CMB HC**



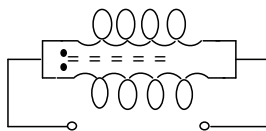
DATUM / DATE : 2009-01-20

## H Einfügungsdämpfung / insertion loss:

### typischer Dämpfungsverlauf / typical attenuation curve



common mode



Datum / date							
Geprüft / checked							
Kontrolliert / approved							
	<table border="1" style="width: 100%; border-collapse: collapse;"> <tr> <td style="width: 33%;">BKo</td> <td style="width: 33%;">Version 1</td> <td style="width: 33%;">09-01-30</td> </tr> <tr> <td style="width: 33%;">Name</td> <td style="width: 33%;">Änderung / modification</td> <td style="width: 33%;">Datum / date</td> </tr> </table>	BKo	Version 1	09-01-30	Name	Änderung / modification	Datum / date
BKo	Version 1	09-01-30					
Name	Änderung / modification	Datum / date					

This electronic component has been designed and developed for usage in general electronic equipment. Before incorporating this component into any equipment where higher safety and reliability is especially required or if there is the possibility of direct damage or injury to human body, for example in the range of aerospace, aviation, nuclear control, submarine, transportation, (automotive control, train control, ship control), transportation signal, disaster prevention, medical, public information network etc, Würth Elektronik eiSos GmbH must be informed before the design-in stage. In addition, sufficient reliability evaluation checks for safety must be performed on every electronic component which is used in electrical circuits that require high safety and reliability functions or performance.

### Würth Elektronik eiSos GmbH & Co. KG

D-74638 Waldenburg · Max-Eyth-Strasse 1 - 3 · Germany · Telefon (+49) (0) 7942 - 945 - 0 · Telefax (+49) (0) 7942 - 945 - 400  
<http://www.we-online.com>