

# MEDICAL GRADE POWER TRANSFORMER



## M2001



- 60W Sine wave step up 10KHz to 60KHz
- Complies with IEC60950 and UL60601 reinforced isolation
- Hipot: 4000V<sub>RMS</sub> (wdg to wdg, wdgs to core)
- Operating Temperature: -40°C to +85°C
- RoHS Compliant Product
- Custom design available upon request

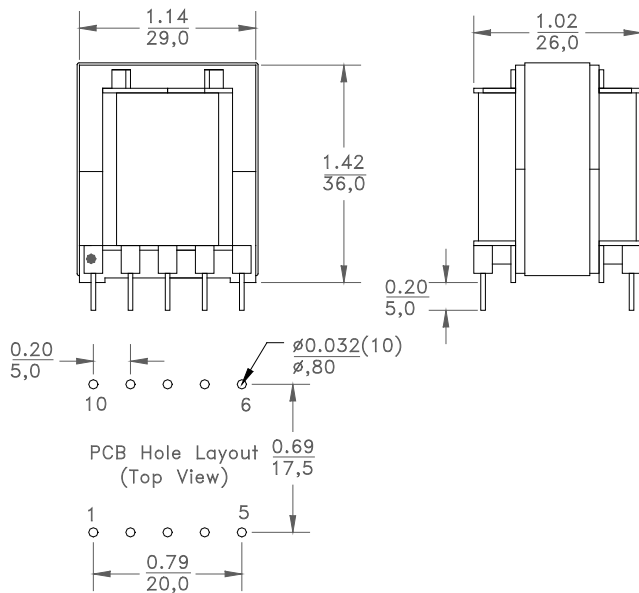
### ELECTRICAL SPECIFICATION @ 25°C

Part No.	OCL 10KHz μH ±25% (2-4)	L <sub>L</sub> 100KHz μH Max (2-4)	DCR Ω Max (2-4)	Turns Ratio ±5% (2-4 : 9-7)	I <sub>OUT</sub> mA Max (9-7)
M2001-					
12	360	1.0	0.050	1:12	167
14	360	1.0	0.050	1:14	143
16	360	1.0	0.050	1:16	125
20	360	2.0	0.050	1:20	100

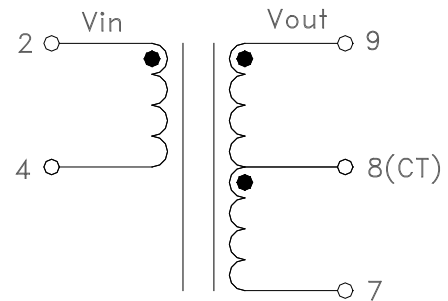
**Note:**

- Input Voltage: 20Vp-p to 60Vp-p sine wave
- Polarity: 2 and 9 are in phase

### MECHANICAL



### SCHEMATIC



Product performance is limited to specified parameters.  
Data is subject to change without prior notice.

**Dimensions**  
Unless otherwise specified, all tolerances are:  
inch: .XX : ±0.015 .XXX : ±0.004  
mm: X,X : ±0,38 X,XX : ±0,10

13200 Estrella Ave., Bldg. B  
Gardena, CA 90248

Tel: 310-325-1043  
Fax: 310-325-1044

www.mpsind.com  
sales@mpsind.com