

PLEASE CHECK WWW.MOLEX.COM FOR LATEST PART INFORMATION

Part Number: [1050760001](#)
Status: **Active**
Description: Camera Socket for Mobile Phone, Bottom Contact, 7x7 Camera Module, Lead free

Documents:

[Drawing \(PDF\)](#) [RoHS Certificate of Compliance \(PDF\)](#)
[Product Specification PS-105076-001 \(PDF\)](#)

General

Product Family	Other Sockets
Series	105076
Component Type	Socket
Product Name	Camera Socket

Physical

Circuits (Loaded)	24
Circuits (maximum)	24
Color - Resin	Black
Durability (mating cycles max)	20
Entry Angle	Vertical (Top Entry)
Keying to Mating Part	Yes
Material - Metal	Copper Alloy
Material - Plating Mating	Gold
Material - Plating Termination	Gold
Material - Resin	High Temperature Thermoplastic
PCB Locator	No
PCB Retention	Yes
Packaging Type	Embossed Tape on Reel
Pitch - Mating Interface (in)	0.028 In
Pitch - Mating Interface (mm)	0.70 mm
Pitch - Term. Interface (in)	0.028 In
Pitch - Term. Interface (mm)	0.70 mm
Plating min: Mating (µin)	12
Plating min: Mating (µm)	0.3
Temperature Range - Operating	-55°C to +85°C
Termination Interface: Style	Surface Mount

Electrical

Current - Maximum per Contact	.5A
Voltage - Maximum	50V DC

Solder Process Data

Duration at Max. Process Temperature (seconds)	2
Lead-free Process Capability	Reflow Capable (SMT only)
Max. Cycles at Max. Process Temperature	2
Process Temperature max. C	245

Material Info

Reference - Drawing Numbers

Packaging Specification	PK-105076-001
Product Specification	PS-105076-001
Sales Drawing	SD-105076-001

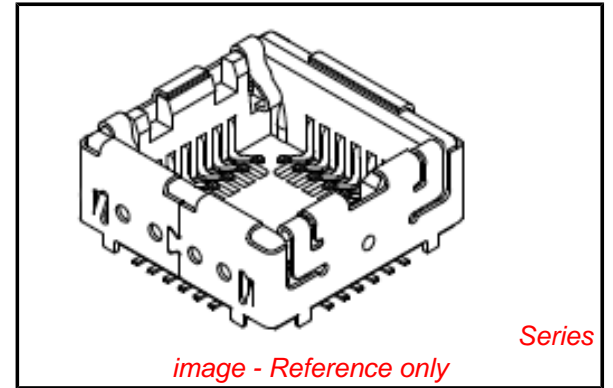


image - Reference only

EU RoHS

**ELV and RoHS
Compliant**
**REACH SVHC
Contains SVHC: No**
**Halogen-Free
Status**

China RoHS



**Need more information on product
environmental compliance?**

Email productcompliance@molex.com
 For a multiple part number RoHS Certificate of
 Compliance, [click here](#)

Please visit the [Contact Us](#) section for any
 non-product compliance questions.

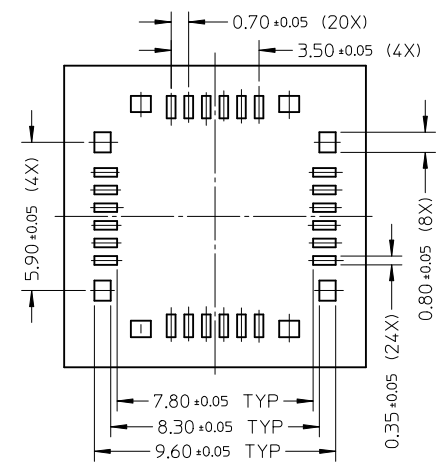
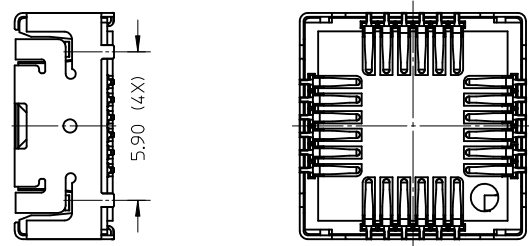
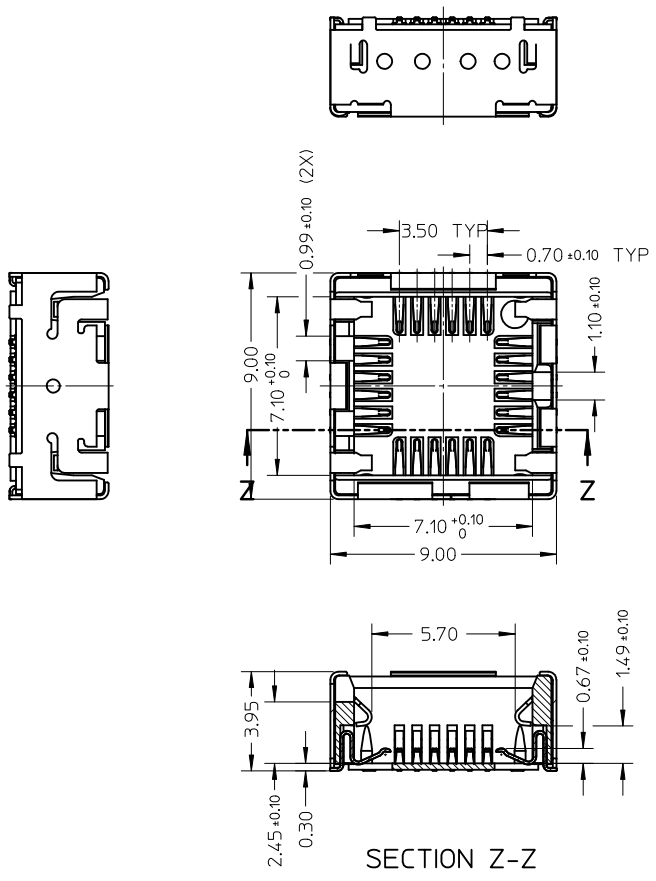
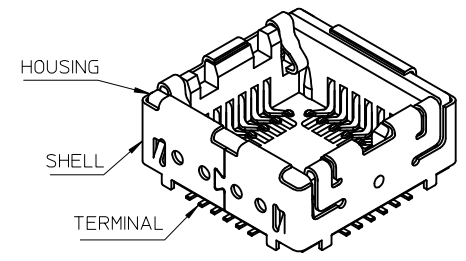
Search Parts in this Series

[105076Series](#)

Mates With

Camera Module

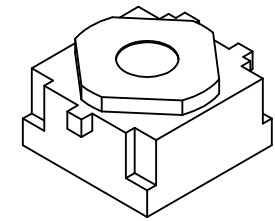
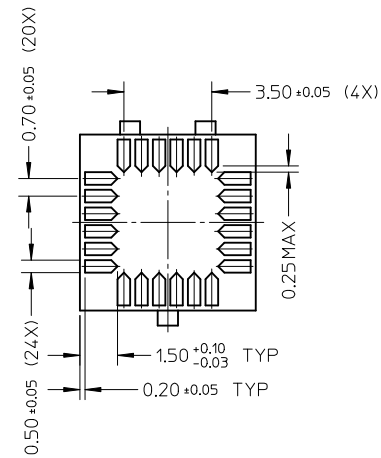
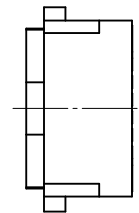
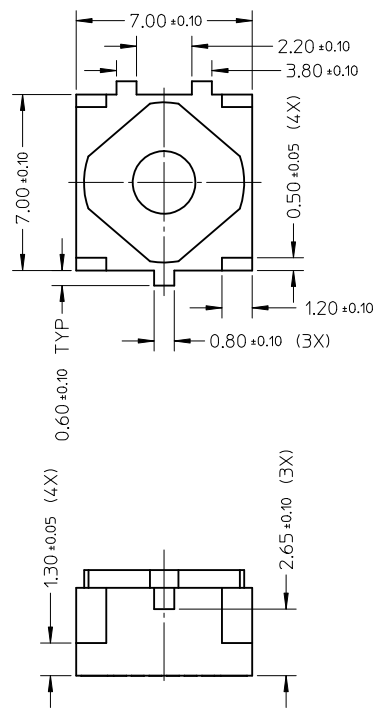
PLEASE CHECK WWW.MOLEX.COM FOR LATEST PART INFORMATION



RECOMMEND PCB LAYOUT
TOLERANCE: ±0.05mm

- NOTES:
1. MATERIALS
HOUSING: HIGH TEMPERATURE THERMOPLASTIC, BLACK, UL94 V-0,
TERMINAL: COPPER ALLOY.
SHELL: COPPER ALLOY.
 2. FINISH
TERMINAL: 1 MICRON MIN NICKEL UNDERPLATING OVERALL
0.3 MICRON GOLD MIN ON CONTACT AREA
GOLD FLASH ON SOLDER AREA.
SHELL: SOLERABLE NICKEL.
 3. PRODUCT SPECIFICATION: PS-105076-001
 4. PAKAGING: TAPE&REEL
 5. COPLANALITY TO BE 0.10MM MAX.AMONG ALL TERMINAL AND
SHIELD SOLDER TAILS.

RELEASE IEC NO: SH2010-0338 DRW: XJ CHENG 2010/02/11 CHK: D: YLZHU 2008/08/14 APPR: WFDENG 2010/02/25	QUALITY SYMBOLS ▽=0 ▽=0	GENERAL TOLERANCES (UNLESS SPECIFIED)		DIMENSION STYLE MM ONLY		SCALE 5:1	DESIGN UNITS METRIC	THIRD ANGLE PROJECTION		
			mm	INCH	DRAWN BY YPWU	DATE 2008/08/14	TITLE 7X7 CAMERA SOCKET BOTTOM CONTACT SALES DRAWING			
		4 PLACES	± ---	± ---	CHECKED BY YLZHU	DATE 2008/08/14	MOLEX INCORPORATED			
		3 PLACES	± ---	± ---	APPROVED BY WFDENG	DATE 2010/02/12				
2 PLACES	± 0.15	± ---	MATERIAL NO. 1050760001		DOCUMENT NO. SD-105076-001	SHEET NO. 1 OF 2				
1 PLACE	± 0.25	± ---	ANGULAR ± 1 °		DRAFT WHERE APPLICABLE MUST REMAIN WITHIN DIMENSIONS					



RELEASE EC NO: SH2010-0338 DRWN: XJCHENG 2010/02/11 CHKD: YLZHU 2008/08/14 APPR: WFDENG 2010/02/25	QUALITY SYMBOLS	GENERAL TOLERANCES (UNLESS SPECIFIED)		DIMENSION STYLE		SCALE	DESIGN UNITS	THIRD ANGLE PROJECTION	
	▽=0	mm	INCH	MM ONLY		5:1	METRIC		
	∇=0	4 PLACES ± ---	± ---	DRAWN BY	DATE	TITLE			
		3 PLACES ± ---	± ---	YPWU	2008/08/14	7X7 CAMERA SOCKET			
		2 PLACES ± 0.15	± ---	CHECKED BY	DATE	BOTTOM CONTACT			
	1 PLACE ± 0.25	± ---	YLZHU	2008/08/14	SALES DRAWING				
			APPROVED BY	DATE	MOLEX INCORPORATED				
			WFDENG	2010/02/25	DOCUMENT NO.				
			ANGULAR ± 1 °		SD-105076-001				
			DRAFT WHERE APPLICABLE MUST REMAIN WITHIN DIMENSIONS		SEE SHEET 1		SHEET NO.		
			SIZE	THIS DRAWING CONTAINS INFORMATION THAT IS PROPRIETARY TO MOLEX INCORPORATED AND SHOULD NOT BE USED WITHOUT WRITTEN PERMISSION					2 OF 2
			A3						1