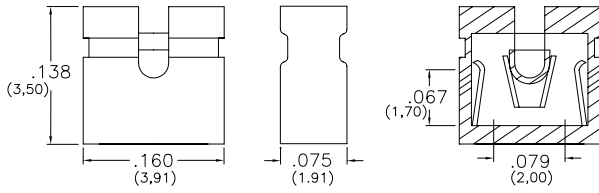
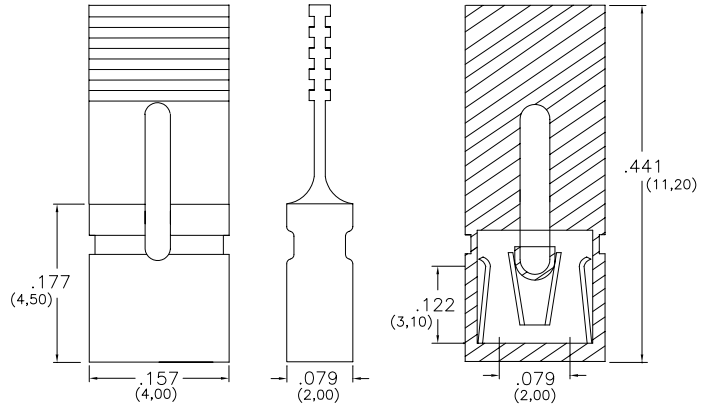


Major League Electronics .079cl Shunts

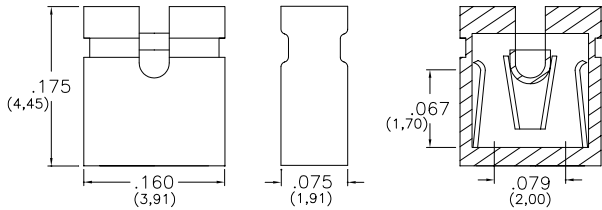
01 SERIES
Low Profile
Low Insertion



03 SERIES
High Profile
Low Insertion
Handle Option



02 SERIES
High Profile
Low Insertion



Ordering Information

SH-2 X - XX - LF

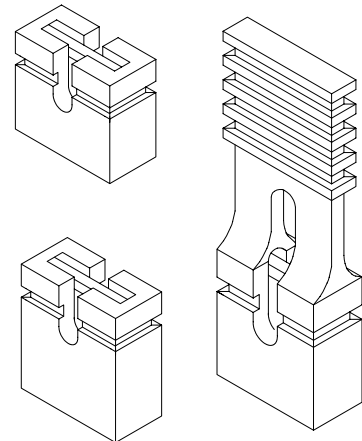
Lead Free

Shunt Style

01 Series	Low Profile, Low Insertion
02 Series	High Profile, Low Insertion
03 Series	High Profile, Low Insertion, Handle Option

Plating Options

G	- 10µ Gold on Contact area/Flash on Tail
F	- Gold Flash over Entire Pin
T	- Matte Tin all Over



Specifications

Current Rating: 3.0 Ampere
 Insulation Resistance: 1000MΩ Min.
 Dielectric Withstanding: 600V AC
 Contact Resistance: 20 mΩ Max.
 Operating Temperature: -40°C to + 105°C
 Max. Process Temperature:
 Peak: 260°C up to 10 secs.
 Process: 230°C up to 60 secs.
 Wave: 260°C up to 6 secs.
 Manual Solder: 350°C up to 5 secs.

Materials

Contact Material: Phosphor Bronze
 Insulator Material: Nylon 6T
 Plating: Au or Sn over 50µ" (1,27) Ni

Mates will all .020" square Pin .079 centerline header products

Products cut to specific sizes are uncancellable/nonreturnable

Parts are subject to change without notice

SH-2 SERIES

.079 cl Shunts

19 FEB 07

Scale
NTS

UNLESS OTHERWISE SPECIFIED
DIMENSIONS IN INCHES (MM)
TOLERANCES ARE:

ONE PLACE DECIMALS ±.100
 TWO PLACE DECIMALS ±.010
 THREE PLACE DECIMALS ±.005
 FOUR PLACE DECIMALS ±.0020
 ANGLES
±5°



4235 Earnings Way, New Albany, Indiana, 47150, USA
 1-800-782-3486 (USA/Canada/Mexico)

Tel: 812-944-7244
 Fax: 812-944-7268

E-mail: mle@mlelectronics.com
 Web: www.mlelectronics.com

Revision
B

Sheet
1/2

Revisions

Revision B - (27th Mar 2008)

Plating options added to ordering grid

Amendment to selection for 'Shunt Style' options in ordering grid,
now labelled as: 01, 02, 03
previous version: 01, 02, 02-H

SH-2 SERIES

.079 cl Shunts

19 FEB 07

Scale
NTS

UNLESS OTHERWISE SPECIFIED
DIMENSIONS IN INCHES (MM)
TOLERANCES ARE:

ONE PLACE DECIMALS ±.100
TWO PLACE DECIMALS ±.010
THREE PLACE DECIMALS ±.005
FOUR PLACE DECIMALS ±.0020
ANGLES
±5°



4235 Earnings Way, New Albany, Indiana, 47150, USA
1-800-782-3486 (USA/Canada/Mexico)

Tel: 812-944-7244
Fax: 812-944-7268
E-mail: mle@mlelectronics.com
Web: www.mlelectronics.com

Revision
B

Sheet
2/2