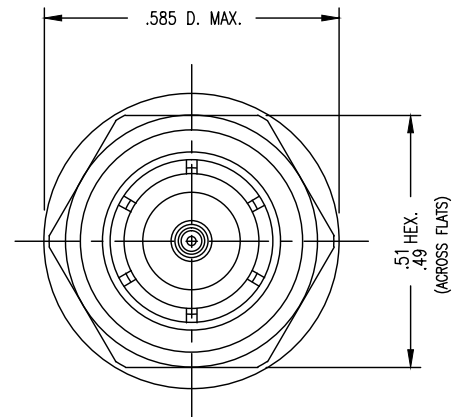
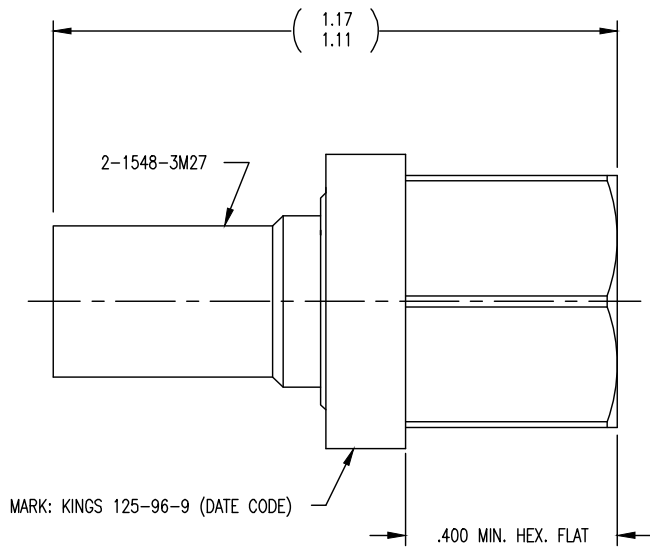


DASH NO.	M CODE	MADE FROM
----------	--------	-----------



125-96-9

REVISIONS	
ISSUE	CHANGES
0	ER 34027 KH 07/29/92
B	REVISED PER DMF304 & ER33626 MARKUPS KPL 06/29/11

CUSTOMER SALES DRAWING

THIS DRAWING, THE DESIGNS AND IDEAS EMBODIED IN THE DEVICE TO WHICH IT RELATES, AND THE METHOD OF PRODUCING THE DEVICE, ARE THE PROPERTY OF WINCHESTER ELECTRONICS CORPORATION AND SHALL NOT BE EMPLOYED, COPIED, OR DISCLOSED TO ANYONE, IN ANY MANNER WITHOUT THE CONSENT OF WINCHESTER ELECTRONICS CORPORATION.

SCALE 4:1

APPROX SURFACE AREA

CAGE CODE: 91836

USED ON

REF: BOEING

PLUG, TNC, HEX

DRAWN KH DATE 06/01/92

DESIGN JT DATE 06/01/92

APPR. DATE

KINGS
by WINCHESTER
Winchester Electronics Corporation
62 Barnes Industrial Road North
Wallingford, Connecticut 06492

NOTES:

- FOR USE WITH BOEING BMS13-65 OG & ADAMS RUSSELL FC20Z CABLE.
- FOR CABLING INSTRUCTIONS SEE 3-546-1
- FOR CRIMPING USE DIE SIZE KTH-2216.
- INTERFACE PER MIL-STD-348 FIG. 313-1.
- CENTER CONTACT (1-569-35MA9) SUPPLIED UNASSEMBLED.
- MARK PACKAGE: KINGS 125-96-9 (DATE CODE)
- MATERIALS:
GASKET- SILICONE RUBBER, A-A-59588
INSULATOR- TEFLON, ASTM-D1710
K-GRIP SLEEVE- COMMERCIAL BRONZE, ASTM B135
OUTER CONTACT-BERYLLIUM COPPER, ASTM-B-196
C-RING- PHOSHOR BRONZE, ASTM B103
ALL OTHER METAL PARTS- BRASS, ASTM-B16
- FINISHES:
CENTER CONTACT: .000050 MIN GOLD PLATE, PER ASTM-B-488 OVER .000050 MIN. NICKEL PER AMS-QQ-N-290 (RoHS)
ALL OTHER METAL PARTS: .000050 MIN NICKEL PER AMS-QQ-N-290 OVER .000050 MIN COPPER PER ASTM B734 (RoHS)
- ELECTRICAL CHARACTERISTICS:
NOMINAL IMPEDANCE- 50 OHMS
FREQUENCY RANGE- 0 TO 11 GHz
WORKING VOLTAGE- 500 VOLTS RMS
- WEIGHT: 12.24 GRAMS

125-96-9