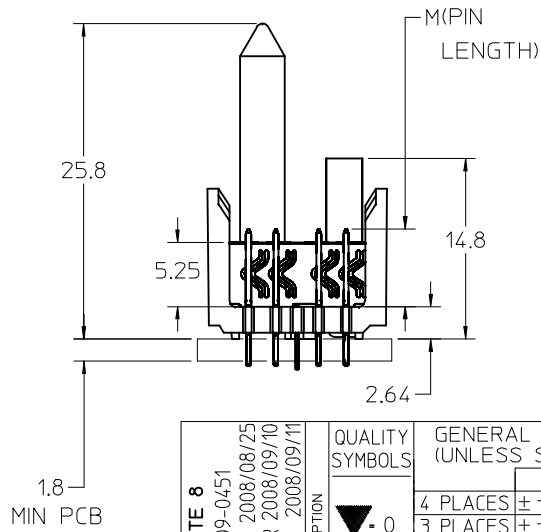
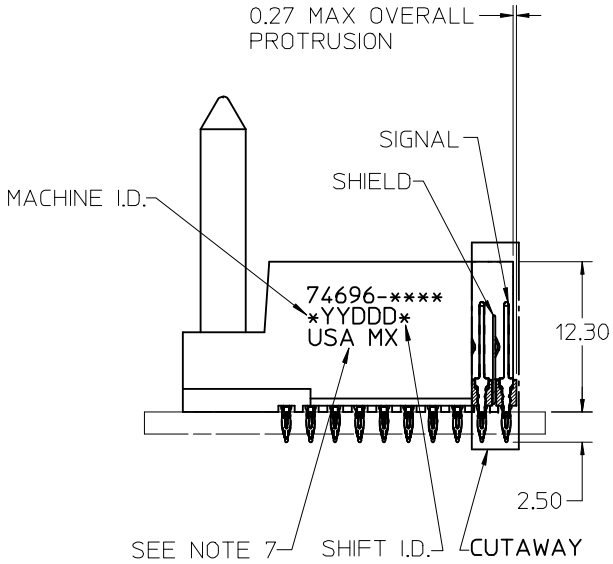


- Ø 0.66 DRILL
- Ø 0.56 ± 0.05 PTH
- Ø 1.00 PAD
- ⊕ Ø 0.10

**BACKPLANE HOLE PATTERN**  
**RECOMMENDED DIMENSIONS**

0.27 MAX OVERALL PROTRUSION



**NOTES:**

1. MATERIAL: HOUSING -LIQUID CRYSTAL POLYMER (LCP) GLASS-FILLED, UL 94 V-0. COLOR BLACK. SIGNAL & SHIELD -COPPER ALLOY.
2. FINISHES: SELECTIVE GOLD (Au) ON CONTACT AREA. SELECTIVE TIN/LEAD (Sn/Pb) OR MATTE TIN ON PCB TAILS. NICKEL (Ni) OVERALL.
3. THIS PART CONFORMS TO MOLEX PRODUCT SPECIFICATION PS-74031-999.
4. FOR MIXED CONTACT MATING LENGTHS CONSULT MOLEX FOR AVAILABILITY.
5. FOR SPECIFIC PART NUMBER AND MATING INFORMATION REFER TO SHEET 2.
6. PACKAGE PER: PK-74696-003.
7. EITHER MARK PART NUMBER AND DATE CODE APPROXIMATELY WHERE SHOWN OR PLACE LABEL ON THE TUBE.
8. PRODUCT COMPLIES WITH COSMETIC SPECIFICATION PS-45499-002.

ADD NOTE 8 EC NO: UCP2009-0451 DRWN:BSMART 2008/08/25 CHKD:BBARKER 2008/09/10 APPR:SWILLER 2008/09/11	QUALITY SYMBOLS ▽ - 0 ∇ - 0	GENERAL TOLERANCES (UNLESS SPECIFIED)		SCALE 2.5:1	DESIGN UNITS METRIC	THIRD ANGLE PROJECTION	REVISE ON CAD ONLY		
		mm INCH		DIMENSION STYLE MM ONLY		TITLE HSD SALES ASSEMBLY 5 ROW SIGNAL END BACKPLANE			
		4 PLACES ± --- ± ---		DRAWN BY MQWANG		DATE 2001/04/17		MOLEX INCORPORATED	
		3 PLACES ± --- ± ---		CHECKED BY NMARTIN		DATE 2001/04/20			
2 PLACES ± --- ± ---		ANGULAR ±1/2°		APPROVED BY CBIXLER		DATE 2001/04/20			
1 PLACE ± --- ± ---		DRAFT WHERE APPLICABLE		MATERIAL NO. SEE TABLE		DOCUMENT NO. SD-74696-002			
		MUST REMAIN WITHIN DIMENSIONS		SHEET NO. 1 OF 3					

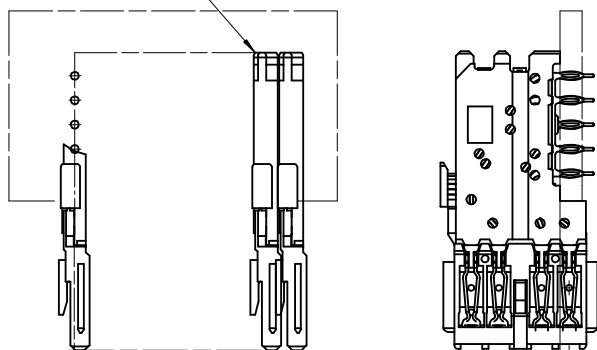
P/N 74696-( )	-**0*	-**1*	-**2*	-**3*	-**4*	-**5*	-**6*	-**7*	-**8*
	0	A	B	C	D	E	F	G	H
KEYING PIN ORIENTATION									

74696-\*\*\*\*

NUMBER OF COLUMN  
5, 10 OR 25  
LEADED OR LEAD FREE

CONTACT LOAD (PIN LENGTH)  
1 & 6 = 4.75  
2 & 7 = 6.25  
3 & 8 = 4.25  
4 & 9 = 5.15

DAUGHTERCARD  
CONNECTOR SIDE



0.41  
SIGNAL TO  
SIGNAL

0.75  
TOP  
DAUGHTERCARD  
PCB TO CENTER  
OF ROW A

ROW A

PART NUMBER	COLUMN	NUMBER OF SIGNAL PINS	NUMBER OF SHIELDS	A	B	M	Au (um) MIN THICKNESS	SnPb(um) THICKNESS
74696-10*1	10	40	10	27.00	18.00	4.75	0.76	0.76-1.52
74696-10*6							1.27	
74696-25*1	25	100	25	57.00	48.00	4.75	0.76	
74696-25*6							1.27	
74696-05*7	5	20	5	17.00	8.00	6.25	1.27	
74696-10*2	10	40	10	27.00	18.00		0.76	
74696-10*7	25	100	25	57.00	48.00	6.25	1.27	
74696-25*2							0.76	
74696-25*7	25	100	25	57.00	48.00	4.25	1.27	
74696-10*3							0.76	
74696-10*8	10	40	10	27.00	18.00	5.15	1.27	
74696-25*3	25	100	25	57.00	48.00		0.76	
74696-25*8						1.27		
74696-10*4	10	40	10	27.00	18.00	5.15	0.76	
74696-10*9	25	100	25	57.00	48.00		1.27	
74696-25*4						0.76		
74696-25*9	25	100	25	57.00	48.00	5.15	1.27	

SEE SHEET 1 EC NO: UCP2009-0451 DRWN:BSMART 2008/08/25 CHKD:BBARKER 2008/09/10 APPR:SWILLER 2008/09/11	QUALITY SYMBOLS	GENERAL TOLERANCES (UNLESS SPECIFIED)	SCALE 2.5:1	DESIGN UNITS METRIC	THIRD ANGLE PROJECTION	REVISE ON CAD ONLY	
	DESCRIPTION -0 -0	mm INCH	4 PLACES ± --- ± ---	DIMENSION STYLE MM ONLY		TITLE HSD SALES ASSEMBLY 5 ROW SIGNAL END BACKPLANE	
		3 PLACES ± --- ± --- 2 PLACES ± --- ± --- 1 PLACE ± --- ± ---	DRAWN BY MQWANG DATE 2001/04/17	CHECKED BY NMARTIN DATE 2001/04/20		MOLEX INCORPORATED	
	ANGULAR ±1/2° DRAFT WHERE APPLICABLE MUST REMAIN WITHIN DIMENSIONS	APPROVED BY CBIXLER DATE 2001/04/20	MATERIAL NO. SEE TABLE SD-74696-002	DOCUMENT NO. SD-74696-002	SHEET NO. 2 OF 3	THIS DRAWING CONTAINS INFORMATION THAT IS PROPRIETARY TO MOLEX INCORPORATED AND SHOULD NOT BE USED WITHOUT WRITTEN PERMISSION	

10 9 8 7 6 5 4 3 2 1

PART NUMBER	COLUMN	NUMBER OF SIGNAL PINS	NUMBER OF SHIELDS	A	B	M	Au (um) MIN THICKNESS	Sn (um) THICKNESS
74696-90*1	10	40	10	27.00	18.00	4.75	0.76	0.76-1.52
74696-90*6							1.27	
74696-85*1	25	100	25	57.00	48.00		0.76	
74696-85*6							1.27	
74696-95*7	5	20	5	17.00	8.00	6.25	1.27	
74696-90*2	10	40	10	27.00	18.00		0.76	
74696-90*7							1.27	
74696-85*2	25	100	25	57.00	48.00		0.76	
74696-85*7						1.27		
74696-90*3	10	40	10	27.00	18.00	4.25	0.76	
74696-90*8							1.27	
74696-85*3	25	100	25	57.00	48.00		0.76	
74696-85*8							1.27	
74696-90*4	10	40	10	27.00	18.00	5.15	0.76	
74696-90*9							1.27	
74696-85*4	25	100	25	57.00	48.00		0.76	
74696-85*9							1.27	

LEAD FREE P/N CHART

SEE SHEET 1 EC NO: UCP2009-0451 DR: MWBSMART 2008/08/25 CHKD: BBARKER 2008/09/10 APPR: SMILLER 2008/09/11	QUALITY SYMBOLS ▽=0 ▽7=0	GENERAL TOLERANCES (UNLESS SPECIFIED)		DIMENSION STYLE MM ONLY		SCALE 1:1	DESIGN UNITS METRIC	THIRD ANGLE PROJECTION		
			mm	INCH	DRAWN BY	DATE	TITLE HSD SALES ASSEMBLY 5 ROW SIGNAL END BACKPLANE			
		4 PLACES	± ---	± ---	MQWANG	2001/04/17				
		3 PLACES	± ---	± ---	CHECKED BY	DATE	MOLEX INCORPORATED			
2 PLACES	± ---	± ---	NMARTIN	2001/04/20						
1 PLACE	± ---	± ---	APPROVED BY	DATE	DOCUMENT NO.		SHEET NO. 3 OF 3			
ANGULAR ±1/2°			CBIXLER	2001/04/20	SD-74696-002					
DRAFT WHERE APPLICABLE MUST REMAIN WITHIN DIMENSIONS			MATERIAL NO. SEE TABLE		THIS DRAWING CONTAINS INFORMATION THAT IS PROPRIETARY TO MOLEX INCORPORATED AND SHOULD NOT BE USED WITHOUT WRITTEN PERMISSION					

9 8 7 6 5 4 3 2 1