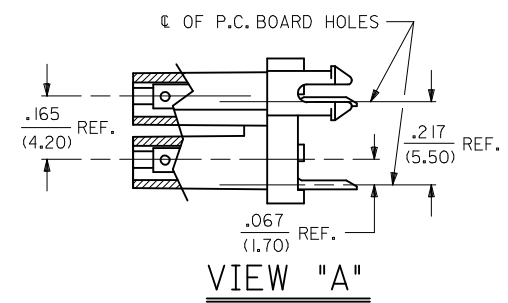


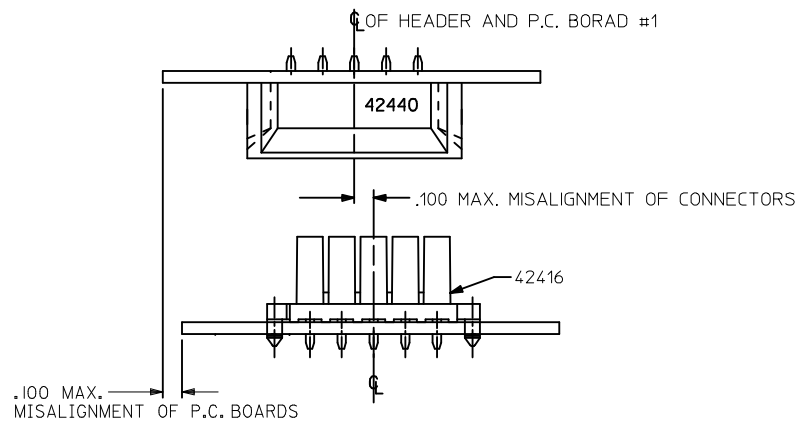
NOTES:

- 1) HOUSING MATERIAL:
A = NYLON 6/6, UNFILLED U.L. 94V-2, COLOR: NATURAL.
B = NYLON 6/6, UNFILLED U.L. 94V-0, COLOR: NATURAL.
TERMINAL MATERIAL: BRASS.
- 2) TERMINAL PLATING:
A - .000100/(.00254) MIN. MATTE TIN OVER
.000050/(.00127) MIN. NICKEL OVERALL.
- 3) PRODUCT SPECIFICATION: PS-5556-002
- 4) PACKAGING SPECIFICATION: PK-42385-999.
- 5) PART MATES WITH MINI-FIT JR. PLUG 42475 AND HEADERS 42404, 42440, 43810, 43879, AND 44068.
DIMENSION TO BE USED FOR ALIGNMENT OF CIRCUIT #1 OF
- 6) MATING CONNECTOR
- 7) PHANTOM LINES INDICATE AREAS WHERE TERMINAL STANDOFFS CONTACT P.C. BOARD.
A MAXIMUM TOLERANCE OF .050/(1.27) ALLOWS FOR 2 POINTS OF ELECTRICAL CONTACT. A MAXIMUM TOLERANCE OF .020/(.51) ALLOWS FOR 4 POINTS OF CONTACT.
- 9) .016 IN/IN OR .016 MM/MM MAX. BOW ALLOWABLE AT DATUM **-C-**.
- 10) RIB MAY NOT BE PRESENT ON ALL PARTS
- 11) THIS CONNECTOR NOT DESIGNED FOR CURRENT SHARING.
- 12) CONNECTOR ASSEMBLIES ARE NOT TO BE MATED OR UNMATED WHILE CIRCUITS ARE LIVE.
- 13) WHEN THIS PRODUCT IS USED IN A BLIND MATING APPLICATION, THE SYSTEM LEVEL DESIGN MUST INCORPORATE GUIDANCE SO THE CONNECTORS ARE WITHIN THE CAPTURE ENVELOPE (UP TO (.100/2.54) MISALIGNMENT) OF THE FLANGES ON THE HEADER OR PLUG HOUSING AND CAN THUS ALIGN THEMSELVES AS THEY COME TOGETHER. FLOAT IS ALSO REQUIRED IN THE OVERALL DESIGN TO ALLOW THE PCB RECEPTACLE OR ITS MATE TO MOVE INTO A STRESS-FREE POSITION AFTER MATING. IN BOARD TO BOARD APPLICATIONS ONLY ONE HEADER IS ALLOWED PER PC BOARD.
- 14) PARTS CONFORM TO CLASS 'B' REQUIREMENTS OF COSMETIC SPECIFICATION PS-45499-002.
- 15) IT IS RECOMMENDED TO USE THE 42475 SERIES MATING PART NUMBER WITHOUT TERMINALS TO AID IN PCB INSERTION. INSERT THE 42416 PART INTO THE 42475 PART AND THEN INSERT INTO THE PCB.

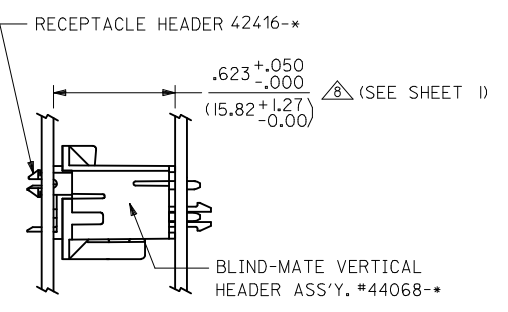
CIRCUIT SIZE	DIM. "A"	DIM. "B"	DIM. "C"
2	—	.21 (5.4)	.370 (9.40)
4	.165 (4.20)	.38 (9.6)	.535 (13.60)
6	.331 (8.40)	.54 (13.8)	.701 (17.80)
8	.496 (12.60)	.71 (18.0)	.866 (22.00)
10	.661 (16.80)	.87 (22.2)	1.031 (26.20)
12	.827 (21.00)	1.04 (26.4)	1.197 (30.40)
14	.992 (25.20)	1.20 (30.6)	1.362 (34.60)
16	1.157 (29.40)	1.37 (34.8)	1.528 (38.80)
18	1.323 (33.60)	1.54 (39.0)	1.693 (43.00)
20	1.488 (37.80)	1.70 (43.2)	1.858 (47.20)
22	1.654 (42.00)	1.87 (47.4)	2.024 (51.40)
24	1.819 (46.20)	2.03 (51.6)	2.189 (55.60)



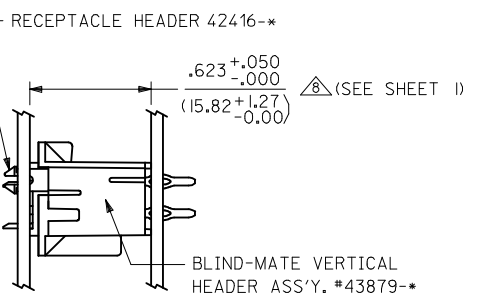
ADD NOTE 15 EC NO: UCP2012-3041 DRWING: NGUYEN CHKD: BELLS APPR: FSMITH 2012/06/28 2012/06/28 2012/07/03	QUALITY SYMBOLS	GENERAL TOLERANCES (UNLESS SPECIFIED)	DIMENSION STYLE	SCALE	DESIGN UNITS	THIRD ANGLE PROJECTION
	▽=0	mm INCH	IN/MM	4:1	METRIC	⊙
	▽=0	4 PLACES ± --- ± ---	DRAWN BY	DATE	TITLE	SELECTIVELY LOADED RECEPTACLE HEADER ASSY (MINI-FIT JR. SERIES) MOLEX INCORPORATED SDA-42416-*
	▽=0	3 PLACES ± --- ± .010	RJF	01-25-89	DOCUMENT NO.	
	▽=0	2 PLACES ± .025 ± .015	BAP	01-25-89	SHEET NO.	
▽=0	1 PLACE ± 0.38 ± ---	APPROVED BY	DATE	1 OF 3		
	ANGULAR ± 1/2°	RAS	01-25-89			
	DRAFT WHERE APPLICABLE MUST REMAIN WITHIN DIMENSIONS	MATERIAL NO.	SEE CHART			
		SIZE	C			



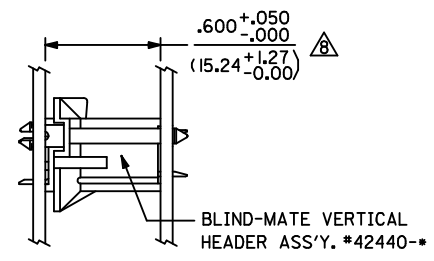
ALIGNMENT TOLERANCE FOR .100 MAX. BOARD-TO-BOARD MISALIGNMENT
(NO CONNECTOR FLOAT)



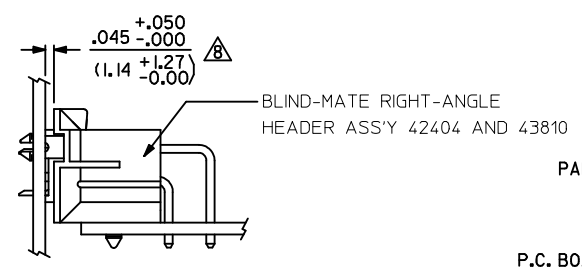
P.C. BOARD-TO-P.C. BOARD APPLICATION #5



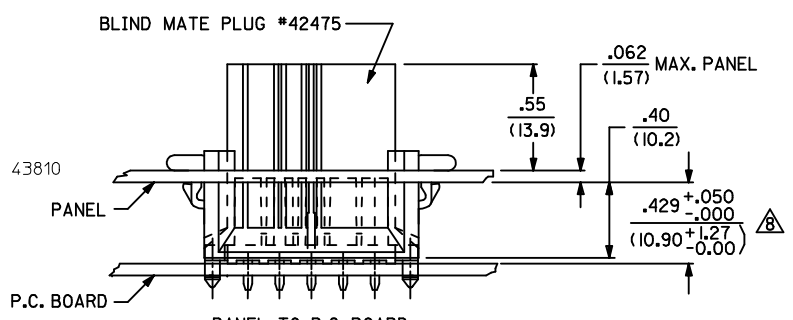
P.C. BOARD-TO-P.C. BOARD APPLICATION #4



PANEL-TO-P.C. BOARD APPLICATION #1



PANEL-TO-P.C. BOARD APPLICATION #2

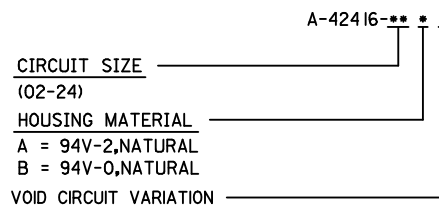


PANEL-TO-P.C. BOARD APPLICATION #3

SEE SHEET 1 EC NO: UCP2012-3041 DRW: NGUYEN 2012/06/28 CHKD: BELL 2012/06/28 APPR: FSMITH 2012/07/03 P2	QUALITY SYMBOLS $\nabla=0$ $\nabla=0$ $\nabla=0$	GENERAL TOLERANCES (UNLESS SPECIFIED) <table border="1"> <tr> <th></th> <th>mm</th> <th>INCH</th> </tr> <tr> <td>4 PLACES</td> <td>± .010</td> <td>± .004</td> </tr> <tr> <td>3 PLACES</td> <td>± .015</td> <td>± .006</td> </tr> <tr> <td>2 PLACES</td> <td>± .025</td> <td>± .010</td> </tr> <tr> <td>1 PLACE</td> <td>± .038</td> <td>± .015</td> </tr> </table>		mm	INCH	4 PLACES	± .010	± .004	3 PLACES	± .015	± .006	2 PLACES	± .025	± .010	1 PLACE	± .038	± .015	DIMENSION STYLE IN/MM	SCALE 4:1	DESIGN UNITS METRIC	THIRD ANGLE PROJECTION
		mm	INCH																		
	4 PLACES	± .010	± .004																		
	3 PLACES	± .015	± .006																		
2 PLACES	± .025	± .010																			
1 PLACE	± .038	± .015																			
DRAFT WHERE APPLICABLE MUST REMAIN WITHIN DIMENSIONS	MATERIAL NO. SEE CHART	DRAWN BY RAS	DATE 01-25-89	CHECKED BY BAP	DATE 01-25-89	APPROVED BY RAS	DATE 01-25-89														
MOLEX INCORPORATED	DOCUMENT NO. SDA-42416-*	SHEET NO. 2 OF 3	THIS DRAWING CONTAINS INFORMATION THAT IS PROPRIETARY TO MOLEX INCORPORATED AND SHOULD NOT BE USED WITHOUT WRITTEN PERMISSION																		

13		12		11		10		9		8		7		6		5		4		3		2		1			
PART NO.	ENG. NO.	CKT. SIZE	HSG. MAT'L.	TERMINAL PLATING REQUIRED AT EACH CIRCUIT LOCATION: - = VOIDED CIRCUIT																							
				1	2	3	4	5	6	7	8	9	10	11	12	13	14	15	16	17	18	19	20	21	22	23	24
15-24-8141	A-42416-14BA	14	94V-0	-	A	-	A	-	A	-	A	-	A	-	A	-	A	-	A	-	A	-	A	-	A		
15-24-8145	A-42416-14BB	14	94V-0	A	-	-	A	-	A	-	A	-	A	-	A	-	A	-	A	-	A	-	A	-	A		
15-24-8151	A-42416-14BC	14	94V-0	A	-	-	A	-	A	A	-	A	-	A	A	-	A	A	-	A	-	A	-	A			
15-24-8152	A-42416-14BD	14	94V-0	A	A	-	A	-	A	A	A	A	-	A	-	A	A	-	A	-	A	-	A	-	A		
42416-0001	-----	06	94V-2	A	-	A	-	A	-	-	-	-	-	-	-	-	-	-	-	-	-	-	-	-	-		
42416-0002	-----	10	94V-2	-	A	-	A	-	A	-	A	A	-	-	-	-	-	-	-	-	-	-	-	-	-		
42416-0003	-----	06	94V-0	A	-	A	A	-	A	-	-	-	-	-	-	-	-	-	-	-	-	-	-	-	-		
42416-0004	-----	24	94V-2	-	-	A	A	A	A	A	A	A	A	A	A	A	A	A	A	A	A	A	A	A	A		
42416-0005	-----	14	94V-0	A	V	A	V	A	V	A	A	V	A	V	A	V	A	-	-	-	-	-	-	-	-		
42416-0006	-----	18	94V-0	A	V	V	A	V	V	A	A	A	A	V	V	A	V	V	A	A	A	-	-	-	-		

LEGEND:



SEE SHEET 1 EC NO: UCP2012-3041 DRAWINGUYEN 2012/06/28 CHKD:JBELL 2012/06/28 APPR:FSMITH 2012/07/03 P2	QUALITY SYMBOLS 	GENERAL TOLERANCES (UNLESS SPECIFIED) <table border="1"> <tr> <th></th> <th>mm</th> <th>INCH</th> </tr> <tr> <td>4 PLACES</td> <td>± .---</td> <td>± .---</td> </tr> <tr> <td>3 PLACES</td> <td>± .---</td> <td>± .010</td> </tr> <tr> <td>2 PLACES</td> <td>± 0.25</td> <td>± .015</td> </tr> <tr> <td>1 PLACE</td> <td>± 0.38</td> <td>± .---</td> </tr> </table>		mm	INCH	4 PLACES	± .---	± .---	3 PLACES	± .---	± .010	2 PLACES	± 0.25	± .015	1 PLACE	± 0.38	± .---	DIMENSION STYLE IN/MM DRAWN BY: RJF DATE: 01-25-89 CHECKED BY: BAP DATE: 01-25-89 APPROVED BY: RAS DATE: 01-25-89	SCALE: 1:1 DESIGN UNITS: METRIC THIRD ANGLE PROJECTION	TITLE: SELECTIVELY LOADED RECEPTACLE HEADER ASSY (MINI-FIT JR. SERIES) MOLEX INCORPORATED DOCUMENT NO. SDA-42416-* SHEET NO. 3 OF 3
		mm	INCH																	
	4 PLACES	± .---	± .---																	
	3 PLACES	± .---	± .010																	
2 PLACES	± 0.25	± .015																		
1 PLACE	± 0.38	± .---																		
DRAFT WHERE APPLICABLE MUST REMAIN WITHIN DIMENSIONS		MATERIAL NO. SEE CHART SIZE C THIS DRAWING CONTAINS INFORMATION THAT IS PROPRIETARY TO MOLEX INCORPORATED AND SHOULD NOT BE USED WITHOUT WRITTEN PERMISSION																		