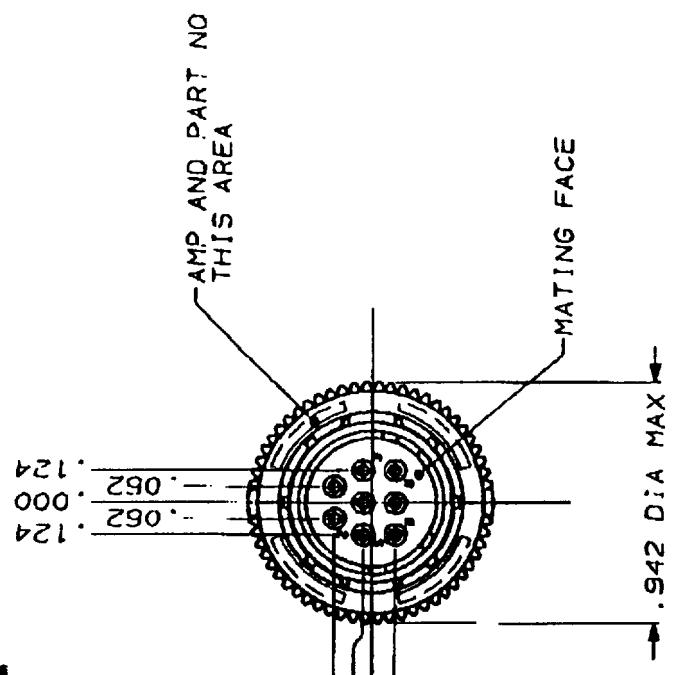
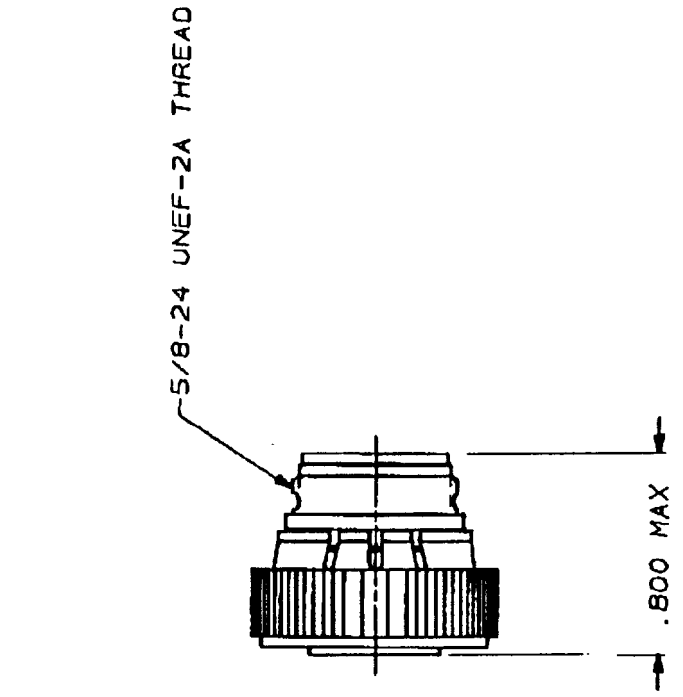


THIS DRAWING IS UNPUBLISHED. RELEASED FOR PUBLICATION BY AMP INCORPORATED. ALL INTERNATIONAL RIGHTS RESERVED.

593 047


MOD	LOC	QTY	REV	DATE	APPRO
4	BD	35		4/3/91	KB
ZONE			REVISIONS		
E			DESCRIPTION		
E1			ADDED -2 NPR 4832		
LTR			DATE		
E			4/3/91		
AF			97/06/93		



1. CONTACT CAVITIES IDENTIFIED BY CHARACTERS ON FRONT AND REAR FACES OF CONNECTOR.
2. WILL ACCEPT EIGHT SIZE 20 SOCKET CONTACTS.

SMALL PACK STANDARD	205838-2
PACKAGING	205838-1
PART NUMBER	

<p>AMP AMP Incorporated Harrisburg, PA 17105-3508</p>	
<p>DO NOT SCALE PRINT. DIMENSIONS IN INCHES TOLERANCES IN: 1. ALL DIM & .005 2. ALL DIM & .008 3. ALL DIM & .010 ANGLES & .005</p>	<p>DR V. J. B. / 11-88 CHK M. S. / 11-88 APPD V. J. B. / 11-88 APPD M. S. / 11-88 PRODUCT SPEC 108-10024 APPLICATION SPEC</p>
<p>MATERIAL THERMOPLASTIC, BLACK FINISH -</p>	<p>NAME PLUG ASSEMBLY, STD SEX, SERIES 2, 11-8, CPC SIZE B CABE CODE 00779 DRAWING NO 205838 SCALE 2:1 SHEET 7 OF 1</p>