

PRELIMINARY

NEC NEC LCD Technologies, Ltd.

TFT COLOR LCD MODULE

NL4827HC19-05A

**11cm (4.3 Type)
WQVGA**

PRELIMINARY DATA SHEET 
DOD-PP-0397 (2nd edition)



This PRELIMINARY DATA SHEET is updated document from DOD-PP-0360(1).

All information is subject to change without notice. Please confirm the sales representative before starting to design your system.

PRELIMINARY

INTRODUCTION

The Copyright to this document belongs to NEC LCD Technologies, Ltd. (hereinafter called "NEC"). No part of this document will be used, reproduced or copied without prior written consent of NEC.

NEC does and will not assume any liability for infringement of patents, copyrights or other intellectual property rights of any third party arising out of or in connection with application of the products described herein except for that directly attributable to mechanisms and workmanship thereof. No license, express or implied, is granted under any patent, copyright or other intellectual property right of NEC.

Some electronic parts/components would fail or malfunction at a certain rate. In spite of every effort to enhance reliability of products by NEC, the possibility of failures and malfunction might not be avoided entirely. To prevent the risks of damage to death, human bodily injury or other property arising out thereof or in connection therewith, each customer is required to take sufficient measures in its safety designs and plans including, but not limited to, redundant system, fire-containment and anti-failure.

The products are classified into three quality grades: "**Standard**", "**Special**", and "**Specific**" of the highest grade of a quality assurance program at the choice of a customer. Each quality grade is designed for applications described below. Any customer who intends to use a product for application other than that of Standard quality grade is required to contact an NEC sales representative in advance.

The **Standard** quality grade applies to the products developed, designed and manufactured in accordance with the NEC standard quality assurance program, which are designed for such application as any failure or malfunction of the products (sets) or parts/components incorporated therein a customer uses are, directly or indirectly, free of any damage to death, human bodily injury or other property, like general electronic devices.

Examples: Computers, office automation equipment, communications equipment, test and measurement equipment, audio and visual equipment, home electronic appliances, machine tools, personal electronic equipment, industrial robots, etc.

The **Special** quality grade applies to the products developed, designed and manufactured in accordance with an NEC quality assurance program stricter than the standard one, which are designed for such application as any failure or malfunction of the products (sets) or parts/components incorporated therein a customer uses might directly cause any damage to death, human bodily injury or other property, or such application under more severe condition than that defined in the Standard quality grade without such direct damage.

Examples: Control systems for transportation equipment (automobiles, trains, ships, etc.), traffic control systems, anti-disaster systems, anti-crime systems, medical equipment not specifically designed for life support, safety equipment, etc.

The **Specific** quality grade applies to the products developed, designed and manufactured in accordance with the standards or quality assurance program designated by a customer who requires an extremely higher level of reliability and quality for such products.

Examples: Military systems, aircraft control equipment, aerospace equipment, nuclear reactor control systems, medical equipment/devices/systems for life support, etc.

The quality grade of this product is the "**Standard**" unless otherwise specified in this document.

PRELIMINARY

CONTENTS

| | |
|---|-----------|
| INTRODUCTION | 2 |
| 1. OUTLINE..... | 4 |
| 1.1 STRUCTURE AND PRINCIPLE | 4 |
| 1.2 APPLICATION..... | 4 |
| 1.3 FEATURES | 4 |
| 2. GENERAL SPECIFICATIONS | 5 |
| 3. BLOCK DIAGRAM..... | 6 |
| 4. DETAILED SPECIFICATIONS | 8 |
| 4.1 MECHANICAL SPECIFICATIONS..... | 8 |
| 4.2 ABSOLUTE MAXIMUM RATINGS | 8 |
| 4.3 ELECTRICAL CHARACTERISTICS | 9 |
| 4.4 POWER SUPPLY VOLTAGE SEQUENCE | 9 |
| 4.5 INTERFACE PIN CONNECTIONS | 10 |
| 4.6 DISPLAY COLORS AND INPUT DATA SIGNALS | 12 |
| 4.7 DISPLAY POSITIONS..... | 13 |
| 4.8 SCANNING DIRECTIONS | 13 |
| 4.9 INPUT SIGNAL TIMINGS..... | 14 |
| 4.10 OPTICAL CHARACTERISTICS | 18 |
| 5. RELIABILITY TESTS | 20 |
| 6. PRECAUTIONS | 21 |
| 6.1 MEANING OF CAUTION SIGNS | 21 |
| 6.2 CAUTIONS | 21 |
| 6.3 ATTENTIONS | 21 |
| 6.3.1 Handling of the product..... | 21 |
| 6.3.2 Environment | 22 |
| 6.3.3 Characteristics | 22 |
| 6.3.4 Other | 22 |
| 7. OUTLINE DRAWINGS | 23 |
| REVISION HISTORY | 24 |

1. OUTLINE

1.1 STRUCTURE AND PRINCIPLE

Color LCD module NL4827HC19-05A is composed of the amorphous silicon thin film transistor liquid crystal display (a-Si TFT LCD) panel structure with driver LSIs for driving the TFT (Thin Film Transistor) array, and a backlight.

The a-Si TFT LCD panel structure is injected liquid crystal material into a narrow gap between the TFT array glass substrate and a color-filter glass substrate.

Color (Red, Green, Blue) data signals from a host system (e.g. signal generator, etc.) are modulated into best form for active matrix system by a controller, and sent to the driver LSIs which drive the individual TFT arrays.

The TFT array as an electro-optical switch regulates the amount of transmitted light from the backlight assembly, when it is controlled by data signals. Color images are created by regulating the amount of transmitted light through the TFT array of red, green and blue dots.

1.2 APPLICATION

- Personal navigation device

1.3 FEATURES

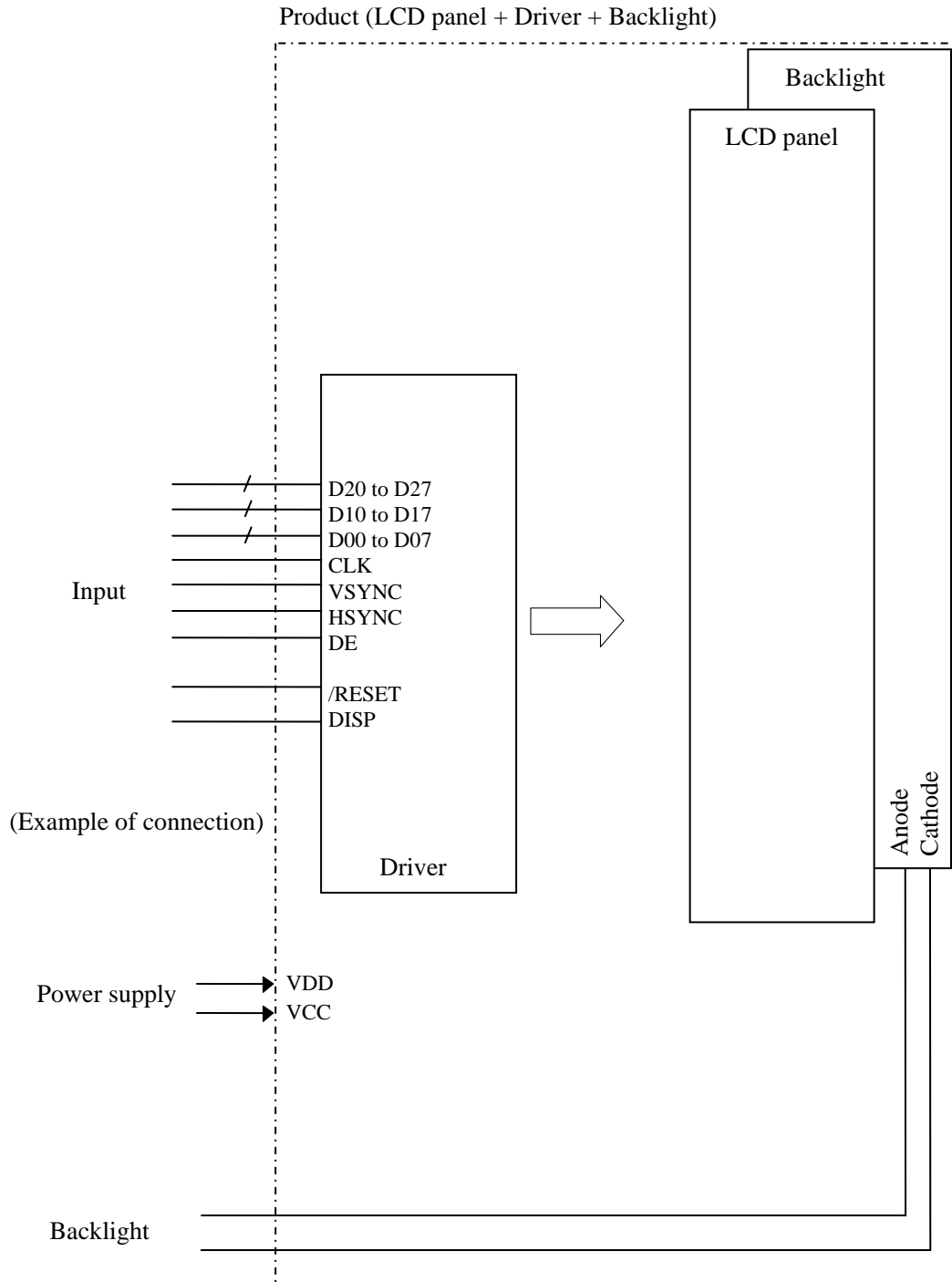
- Transmissive type
- Backlight attached
- High luminance
- High contrast
- Including LCD controller and power supply
- 8-bit digital RGB signals

PRELIMINARY

2. GENERAL SPECIFICATIONS

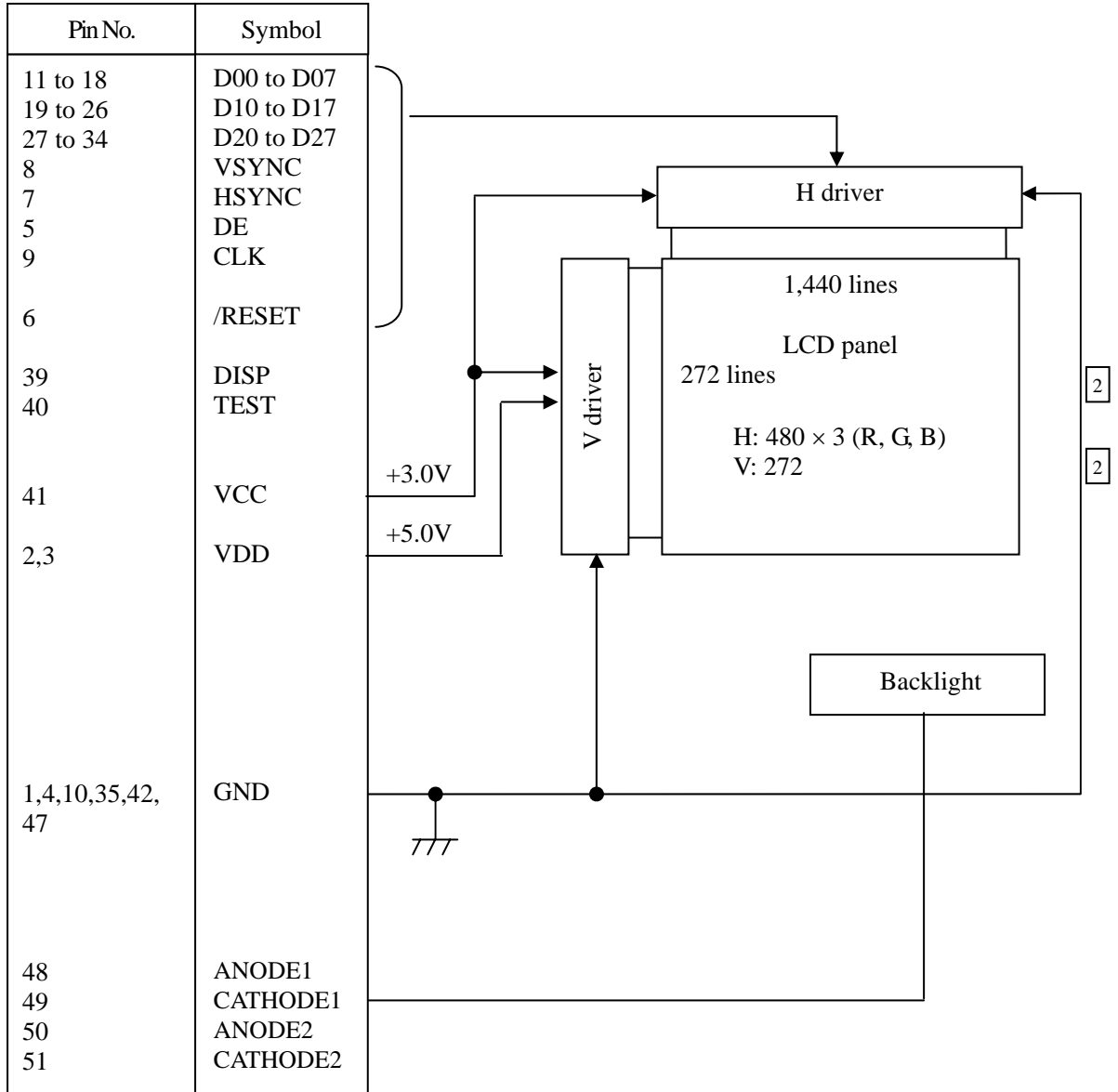
| | | |
|-----------------------------------|--|---|
| Display area | 95.04 (H) × 53.856 (V) mm | |
| Diagonal size of display | 11cm (4.3 inches) | |
| Drive system | a-Si TFT active matrix | |
| Display color | 16,777,216 colors | |
| Pixel | 480 (H) × 272 (V) pixels | |
| Pixel arrangement | RGB (Red dot, Green dot, Blue dot) vertical stripe | |
| Dot pitch | 0.066 (H) × 0.198 (V) mm | |
| Pixel pitch | 0.198 (H) × 0.198 (V) mm | |
| Module size | 105.5 (H) × 67.2 (V) × 3.8 (D) mm (typ.) | 2 |
| Weight | 51 (typ.) | 2 |
| Polarizer surface | Clear | |
| Polarizer pencil-hardness | 3H (min.) [by JIS K5400] | |
| Designed viewing direction | Viewing direction without image reversal: down side (6 o'clock) | |
| Luminance | At $I_L = 20mA$ 600cd/m ² (typ.) | 2 |
| Contrast ratio | At $I_L = 20mA$ 500:1 (typ.) | |
| Color gamut | At LCD panel center 60% (typ.) [against NTSC color space] | |
| Response time | $T_{on} + T_{off}$ (10% ← → 90%) 33ms (typ.) | 2 |
| Signal system | 8-bit digital signals for data of RGB colors, Dot clock (CLK), DE, Horizontal synchronous signal (HSYNC), Vertical synchronous signal (VSYNC), Reset signal (/RESET) | |
| Supply voltage | VCC: 3.0V (typ., for Logic) VDD: 5.0V (typ., for LCD driver) | 2 |
| Power consumption | LCD panel + Driver: (125) mW (typ.) Backlight: (512) mW (typ., at $I_L = 20mA$) | 2 |

3. BLOCK DIAGRAM



PRELIMINARY

FPC I/F



4. DETAILED SPECIFICATIONS

4.1 MECHANICAL SPECIFICATIONS

| Parameter | Specification | Unit |
|--------------|---|------|
| Module size | 105.5 ± 0.3 (W) × 67.2 ± 0.3 (H) × 3.8 ± 0.3 (D) Note1 | mm |
| Display area | 95.04 (H) × 53.856 (V) | mm |
| Weight | 51 (typ.), 53 (max.) | g |

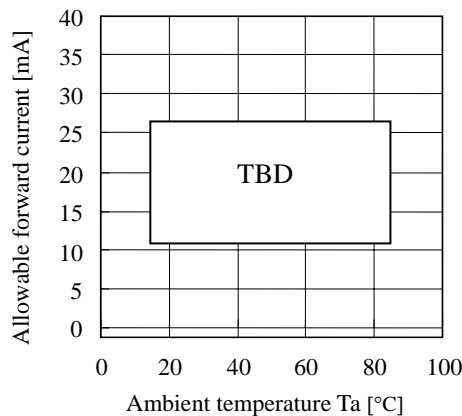
Note1: Excluding FPC

Note2: See "7. OUTLINE DRAWINGS".

4.2 ABSOLUTE MAXIMUM RATINGS

| Parameter | Symbol | Rating | Unit | Remarks |
|-----------------------|-----------------------|-----------------|------------------|---|
| Supply voltage | VCC | -0.3 to +6.0 | V | Ta= 25°C |
| | VDD | -0.3 to +6.0 | | |
| Logic input voltage | VI | -0.3 to VCC+0.3 | V | Logic signals |
| Backlight | Reverse voltage | VR | ≤ 20 | Ta= 25°C, These values are applied for both Anode1 and 2. |
| | Power dissipation | PD | ≤ 492 | |
| | Forward current | IL | Note1 | |
| | Pulse forward current | IFP | 100 | |
| Storage temperature | Tst | (-30 to +80) | °C | - |
| Operating temperature | Top | -20 to +70 | | Product surface Note2 |
| Relative humidity | RH | ≤ 95 | % | Ta ≤ 40°C |
| | | ≤ 85 | | 40°C < Ta ≤ 50°C |
| | | ≤ 55 | | 50°C < Ta ≤ 60°C |
| | | ≤ 36 | | 60°C < Ta ≤ 70°C |
| Absolute humidity | AH | ≤ 70 Note4 | g/m ³ | Ta > 70°C |
| Storage altitude | | ≤ 13,600 | m | (-30°C ≤ Ta ≤ 80°C) |
| Operating altitude | | ≤ 4,850 | m | -20°C ≤ Ta ≤ 70°C |

Note1: Allowable forward current



Note2: Measured at display area

Note3: No condensation

Note4: Water amount at Ta= 70°C and RH= 36%

4.3 ELECTRICAL CHARACTERISTICS

(1) Logic/ LCD driving

(Ta= 25°C)

| Parameter | Symbol | min. | typ. | max. | Unit | Remarks |
|---------------------------|--------|--------|--------|--------|------|---------------------------------|
| Logic supply voltage | VCC | 2.3 | 3.0 | 3.6 | V | - |
| LCD driver supply voltage | VDD | 4.8 | 5.0 | 5.2 | V | - |
| Logic input high voltage | VIH | 0.7VCC | - | VCC | V | Logic signal |
| Logic input low voltage | VIL | 0 | - | 0.2VCC | V | |
| VCC supply current | ICC | - | (4.0) | TBD | mA | at VCC= 3.0V, VDD=5.0V Note1 |
| VDD supply current | IDD | - | (22.5) | TBD | mA | at VCC= 3.0V, VDD=5.0V Note1 |

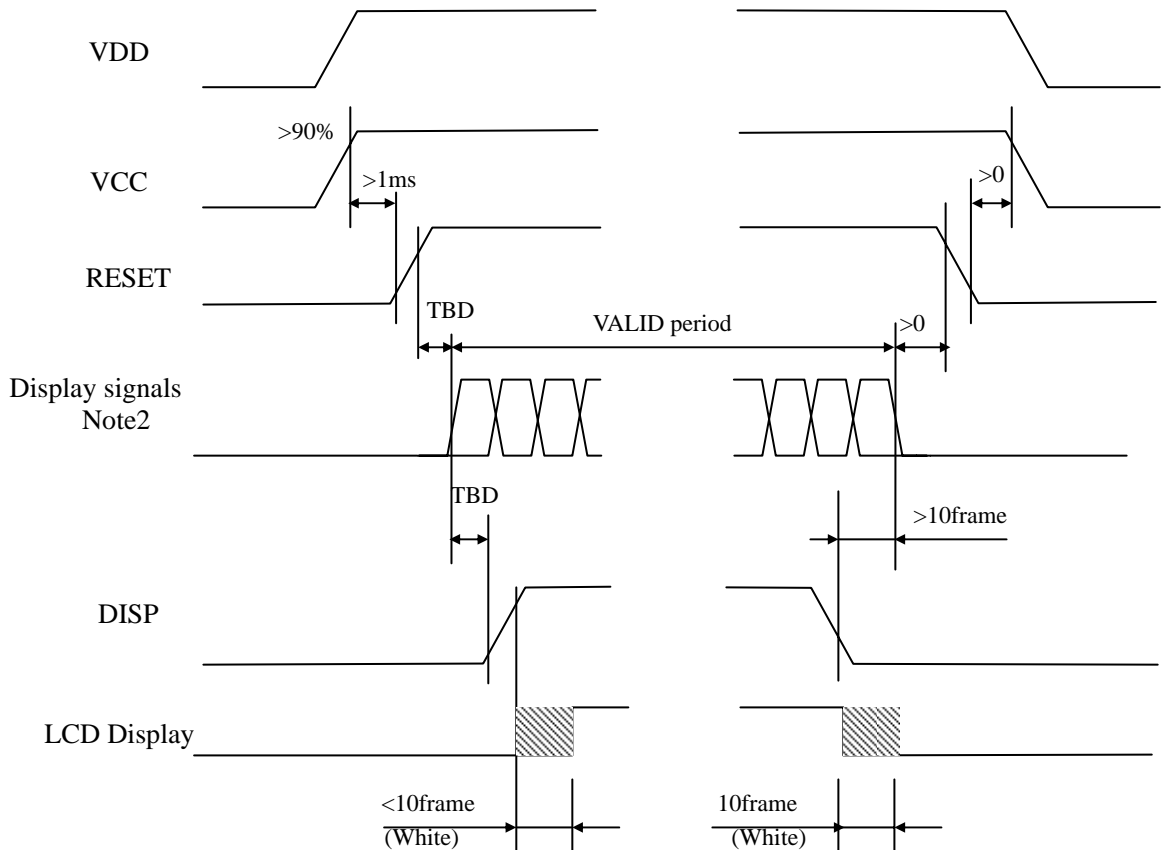
Note1: PPHCK=, (10.87)MHz, HSYNC= (20.7)kHz, VSYNC= (75)Hz
 Checkered flag pattern (by EIAJ ED-2522)

(2) Backlight

(Ta= 25°C)

| Parameter | Symbol | min. | typ. | max. | Unit | Remarks |
|-----------------|--------|------|--------|------|------|-------------|
| Forward Current | IL1, 2 | - | (20) | TBD | mA | - |
| Forward Voltage | VL1, 2 | - | (12.8) | 14 | V | at IL= 20mA |

4.4 POWER SUPPLY VOLTAGE SEQUENCE



PRELIMINARY

Note1: Supply voltage sequence must be followed above sequence diagram.

Note2: Display signals (CLK, HSYNC, VSYNC, DE, R0 to R7, G0 to G7, B0 to B7) must be Low or High-impedance, exclude the VALID period (See above sequence diagram), in order to avoid that internal circuits is damaged.

Note3: All signals should not be interrupted during the operation. Even if the signals recover, the LCD module may not be operated correctly. In this case, reset the sequence again.

2
2

4.5 INTERFACE PIN CONNECTIONS

CN1 (FPC)

Adaptable socket: (FH23-51S-0.3SHW(06)) (Hirose Electric Co., Ltd.(HRS))

| Pin No. | Symbols | Functions | Pin No. | Symbols | Functions |
|---------|---------|-------------------------------|---------|----------|------------------------|
| 1 | GND | Ground Note1 | 27 | D20 | Red data (LSB) |
| 2 | VDD | Power supply | 28 | D21 | Red data |
| 3 | VDD | | 29 | D22 | Red data |
| 4 | GND | Ground Note1 | 30 | D23 | Red data |
| 5 | DE | Data enable signal | 31 | D24 | Red data |
| 6 | /RESET | Reset | 32 | D25 | Red data |
| 7 | HSYNC | Horizontal synchronous signal | 33 | D26 | Red data |
| 8 | VSYNC | Vertical synchronous signal | 34 | D27 | Red data (MSB) |
| 9 | CLK | Dot clock | 35 | GND | Ground Note1 |
| 10 | GND | Ground Note1 | 36 | RSVD | Keep this pin Open. |
| 11 | D00 | Blue data (LSB) | 37 | RSVD | Keep this pin Open. |
| 12 | D01 | Blue data | 38 | RSVD | Keep this pin Open. |
| 13 | D02 | Blue data | 39 | DISP | Display ON/OFF |
| 14 | D03 | Blue data | 40 | TEST | Keep this pin H. |
| 15 | D04 | Blue data | 41 | VCC | Power supply (Logic) |
| 16 | D05 | Blue data | 42 | GND | Ground Note1 |
| 17 | D06 | Blue data | 43 | N. C. | Keep this pin Open. |
| 18 | D07 | Blue data (MSB) | 44 | N. C. | Keep this pin Open. |
| 19 | D10 | Green data (LSB) | 45 | N. C. | Keep this pin Open. |
| 20 | D11 | Green data | 46 | N. C. | Keep this pin Open. |
| 21 | D12 | Green data | 47 | GND | Ground Note1 |
| 22 | D13 | Green data | 48 | ANODE1 | LED1 voltage (Anode) |
| 23 | D14 | Green data | 49 | CATHODE1 | LED1 voltage (Cathode) |
| 24 | D15 | Green data | 50 | ANODE2 | LED2 voltage (Anode) |
| 25 | D16 | Green data | 51 | CATHODE2 | LED2 voltage (Cathode) |
| 26 | D17 | Green data (MSB) | | | |

2

Note1: All GND terminals should be used without any non-connected lines.

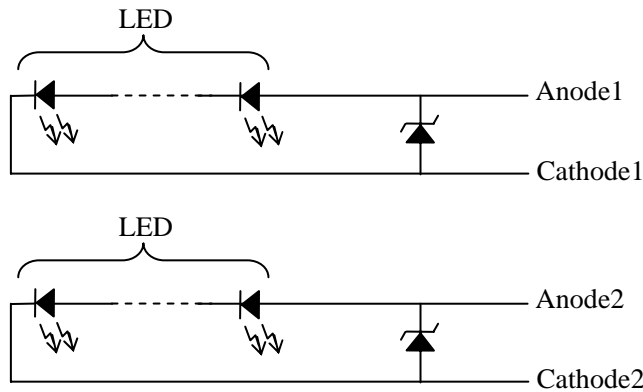
Note2: Do not fold the FPC. When the FPC is folded, pattern disconnection may be caused. In case of bending FPC, the minimum curvature (R) must be more than 1.0 mm.

PRELIMINARY

Description of terminals

| Terminals | Description |
|-------------------|---|
| /RESET | When /RESET is L, an internal reset is performed. The reset operation is executed at the /RESET signal level. Be sure to perform reset via this pin at power application. |
| DISP | Display ON/ OFF mode control. Internally pulled high. When DISP is L, input data is invalid and display OFF (white). |
| ANODE, CATHODE | Refer to the below “Circuits of backlight”. |

2



2

Circuits of backlight

PRELIMINARY

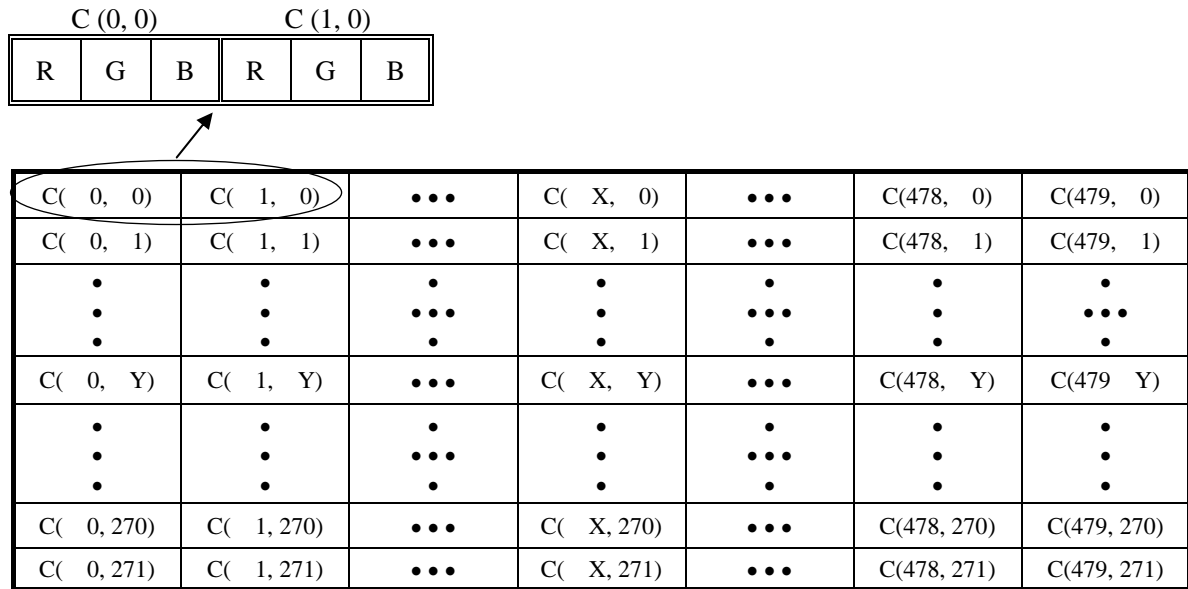
4.6 DISPLAY COLORS AND INPUT DATA SIGNALS

This product can display equivalent of 16,777,216 colors in 256 gray scales by combination.
 Also the relation between display colors and input data signals is as the following table.

| Display colors | | Data signal (0: Low level, 1: High level) | | | | | | | | | | | | | | | | | | | | | | | |
|------------------|---------|---|----|----|----|----|----|----|----|----|----|----|----|----|----|----|----|----|----|----|----|----|----|----|----|
| | | R7 | R6 | R5 | R4 | R3 | R2 | R1 | R0 | G7 | G6 | G5 | G4 | G3 | G2 | G1 | G0 | B7 | B6 | B5 | B4 | B3 | B2 | B1 | B0 |
| Basic Colors | Black | 0 | 0 | 0 | 0 | 0 | 0 | 0 | 0 | 0 | 0 | 0 | 0 | 0 | 0 | 0 | 0 | 0 | 0 | 0 | 0 | 0 | 0 | 0 | 0 |
| | Blue | 0 | 0 | 0 | 0 | 0 | 0 | 0 | 0 | 0 | 0 | 0 | 0 | 0 | 0 | 0 | 0 | 1 | 1 | 1 | 1 | 1 | 1 | 1 | 1 |
| | Red | 1 | 1 | 1 | 1 | 1 | 1 | 1 | 1 | 0 | 0 | 0 | 0 | 0 | 0 | 0 | 0 | 0 | 0 | 0 | 0 | 0 | 0 | 0 | 0 |
| | Magenta | 1 | 1 | 1 | 1 | 1 | 1 | 1 | 1 | 0 | 0 | 0 | 0 | 0 | 0 | 0 | 0 | 1 | 1 | 1 | 1 | 1 | 1 | 1 | 1 |
| | Green | 0 | 0 | 0 | 0 | 0 | 0 | 0 | 0 | 1 | 1 | 1 | 1 | 1 | 1 | 1 | 1 | 0 | 0 | 0 | 0 | 0 | 0 | 0 | 0 |
| | Cyan | 0 | 0 | 0 | 0 | 0 | 0 | 0 | 0 | 1 | 1 | 1 | 1 | 1 | 1 | 1 | 1 | 1 | 1 | 1 | 1 | 1 | 1 | 1 | 1 |
| | Yellow | 1 | 1 | 1 | 1 | 1 | 1 | 1 | 1 | 1 | 1 | 1 | 1 | 1 | 1 | 1 | 1 | 0 | 0 | 0 | 0 | 0 | 0 | 0 | 0 |
| | White | 1 | 1 | 1 | 1 | 1 | 1 | 1 | 1 | 1 | 1 | 1 | 1 | 1 | 1 | 1 | 1 | 1 | 1 | 1 | 1 | 1 | 1 | 1 | 1 |
| Red gray scale | Black | 0 | 0 | 0 | 0 | 0 | 0 | 0 | 0 | 0 | 0 | 0 | 0 | 0 | 0 | 0 | 0 | 0 | 0 | 0 | 0 | 0 | 0 | 0 | 0 |
| | | 0 | 0 | 0 | 0 | 0 | 0 | 0 | 1 | 0 | 0 | 0 | 0 | 0 | 0 | 0 | 0 | 0 | 0 | 0 | 0 | 0 | 0 | 0 | 0 |
| | dark | 0 | 0 | 0 | 0 | 0 | 0 | 1 | 0 | 0 | 0 | 0 | 0 | 0 | 0 | 0 | 0 | 0 | 0 | 0 | 0 | 0 | 0 | 0 | 0 |
| | ↑ ↓ | | | | : | | | | | | | | | | | | | | | | | | | | |
| | bright | 1 | 1 | 1 | 1 | 1 | 1 | 0 | 1 | 0 | 0 | 0 | 0 | 0 | 0 | 0 | 0 | 0 | 0 | 0 | 0 | 0 | 0 | 0 | 0 |
| | Red | 1 | 1 | 1 | 1 | 1 | 1 | 1 | 1 | 0 | 0 | 0 | 0 | 0 | 0 | 0 | 0 | 0 | 0 | 0 | 0 | 0 | 0 | 0 | 0 |
| Green gray scale | Black | 0 | 0 | 0 | 0 | 0 | 0 | 0 | 0 | 0 | 0 | 0 | 0 | 0 | 0 | 0 | 0 | 0 | 0 | 0 | 0 | 0 | 0 | 0 | 0 |
| | | 0 | 0 | 0 | 0 | 0 | 0 | 0 | 0 | 0 | 0 | 0 | 0 | 0 | 0 | 0 | 1 | 0 | 0 | 0 | 0 | 0 | 0 | 0 | 0 |
| | dark | 0 | 0 | 0 | 0 | 0 | 0 | 0 | 0 | 0 | 0 | 0 | 0 | 0 | 0 | 1 | 0 | 0 | 0 | 0 | 0 | 0 | 0 | 0 | 0 |
| | ↑ ↓ | | | | : | | | | | | | | | | | | | | | | | | | | |
| | bright | 0 | 0 | 0 | 0 | 0 | 0 | 0 | 0 | 1 | 1 | 1 | 1 | 1 | 1 | 0 | 1 | 0 | 0 | 0 | 0 | 0 | 0 | 0 | 0 |
| | Green | 0 | 0 | 0 | 0 | 0 | 0 | 0 | 0 | 1 | 1 | 1 | 1 | 1 | 1 | 1 | 1 | 0 | 0 | 0 | 0 | 0 | 0 | 0 | 0 |
| Blue gray scale | Black | 0 | 0 | 0 | 0 | 0 | 0 | 0 | 0 | 0 | 0 | 0 | 0 | 0 | 0 | 0 | 0 | 0 | 0 | 0 | 0 | 0 | 0 | 0 | 0 |
| | | 0 | 0 | 0 | 0 | 0 | 0 | 0 | 0 | 0 | 0 | 0 | 0 | 0 | 0 | 0 | 0 | 0 | 0 | 0 | 0 | 0 | 0 | 0 | 1 |
| | dark | 0 | 0 | 0 | 0 | 0 | 0 | 0 | 0 | 0 | 0 | 0 | 0 | 0 | 0 | 0 | 0 | 0 | 0 | 0 | 0 | 0 | 0 | 1 | 0 |
| | ↑ ↓ | | | | : | | | | | | | | | | | | | | | | | | | | |
| | bright | 0 | 0 | 0 | 0 | 0 | 0 | 0 | 0 | 0 | 0 | 0 | 0 | 0 | 0 | 0 | 0 | 1 | 1 | 1 | 1 | 1 | 1 | 0 | 1 |
| | Blue | 0 | 0 | 0 | 0 | 0 | 0 | 0 | 0 | 0 | 0 | 0 | 0 | 0 | 0 | 0 | 0 | 1 | 1 | 1 | 1 | 1 | 1 | 1 | 0 |

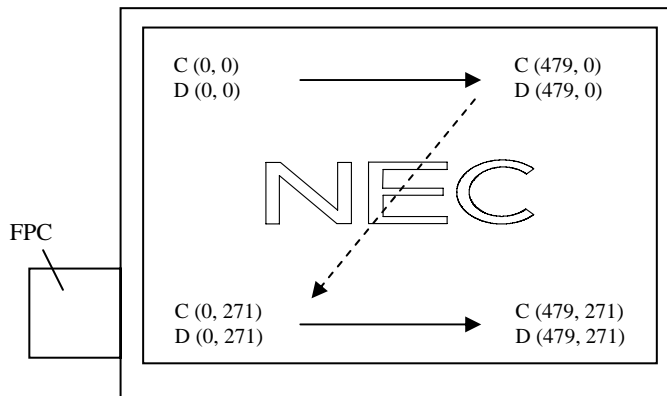
4.7 DISPLAY POSITIONS

The following table is the coordinates per pixel (See figure of "4.8 SCANNING DIRECTIONS".).



4.8 SCANNING DIRECTIONS

The following figures are seen from a front view. Also the arrow shows the direction of scan.



Note1: Meaning of C (X, Y) and D (X, Y)

C (X, Y): The coordinates of the display position (See "4.7 DISPLAY POSITIONS".)

D (X, Y): The data number of input signal for LCD panel

PRELIMINARY

4.9 INPUT SIGNAL TIMINGS

RGB interface (Ta= 25°C, VCC= 3.0V, VDD=5.0V)

(1) Timing characteristics

| Parameter | | Symbol | min. | typ. | max. | Unit | Remarks |
|--|----------------------|------------|--------|---------|---------|------|------------------|
| CLK | Frequency | 1/tc | (8.69) | (10.87) | TBD | MHz | - |
| | Duty | tcd | 0.4 | 0.5 | 0.6 | - | - |
| | Rise time, Fall time | tcrf | - | - | (2) | ns | - |
| DATA (D00-05) (D10-15) (D20-25) | CLK-DATA | Setup time | tds | 15 | - | - | ns |
| | | Hold time | tdh | 15 | - | - | ns |
| | Rise time, Fall time | tdrf | - | - | (2) | ns | - |
| DE | CLK-DE | Setup time | tdes | 15 | - | - | ns |
| | | Hold time | tdeh | 15 | - | - | ns |
| | Rise time, Fall time | tderf | - | - | (2) | ns | - |
| HSYNC | Cycle | th | TBD | (48.3) | (60.4) | μs | (20.7)kHz (typ.) |
| | | | (525) | | | CLK | - |
| | Display period | thd | 480 | | | CLK | - |
| | Front-porch | thf | (2) | | | CLK | - |
| | Pulse width | thp | (2) | (41) | - | CLK | - |
| | Back-porch | thb | (2) | | | CLK | - |
| | CLK- HSYNC | Setup time | ths | 15 | - | - | ns |
| | | Hold time | thh | 15 | - | - | ns |
| Rise time, Fall time | thrf | - | - | (2) | ns | - | |
| VSYNC | Cycle | tv | TBD | (13.33) | (16.67) | ms | (75)Hz (typ.) |
| | | | (276) | | | H | - |
| | Display period | tvd | 272 | | | H | - |
| | Front-porch | tvf | (1) | | | H | - |
| | Pulse width | tvp | (1) | (2) | - | H | - |
| | Back-porch | tvb | (1) | | | H | - |
| | VSYNC- HSYNC | Setup time | tvhs | 15 | - | - | ns |
| | | Hold time | tvhh | 15 | - | - | ns |
| Rise time, Fall time | tvrf | - | - | (2) | ns | - | |
| DISP | DISP- VSYNC | Setup time | tdiss | 15 | - | - | ns |
| | | Hold time | tdish | 15 | - | - | ns |
| | Rise time, Fall time | tdisrf | - | - | (2) | ns | - |

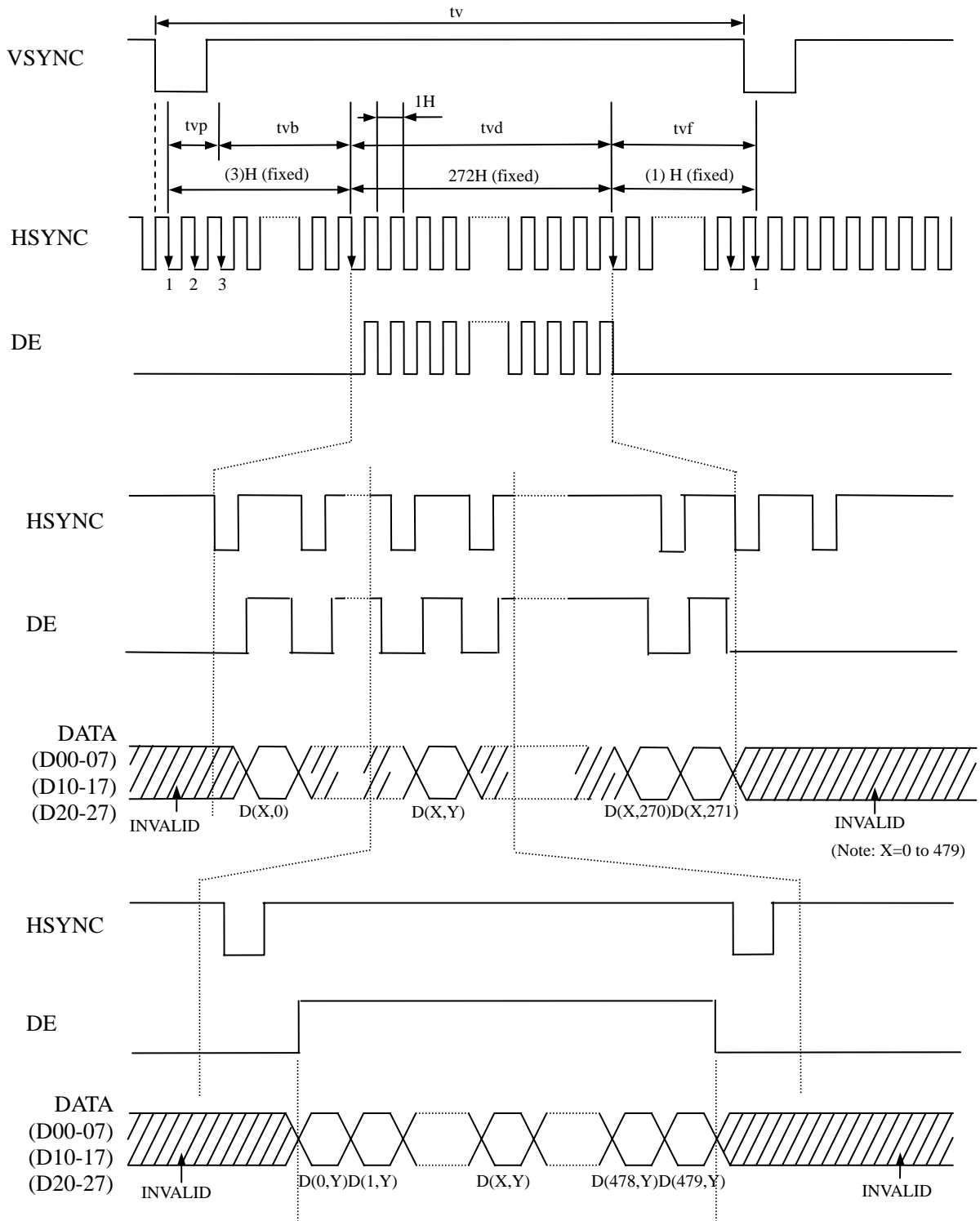
Note1: Definition of parameters is as follows.

tc= 1CLK, tcd= tch/tc, th= 1H

Note2: All parameters should be kept within the specified range.

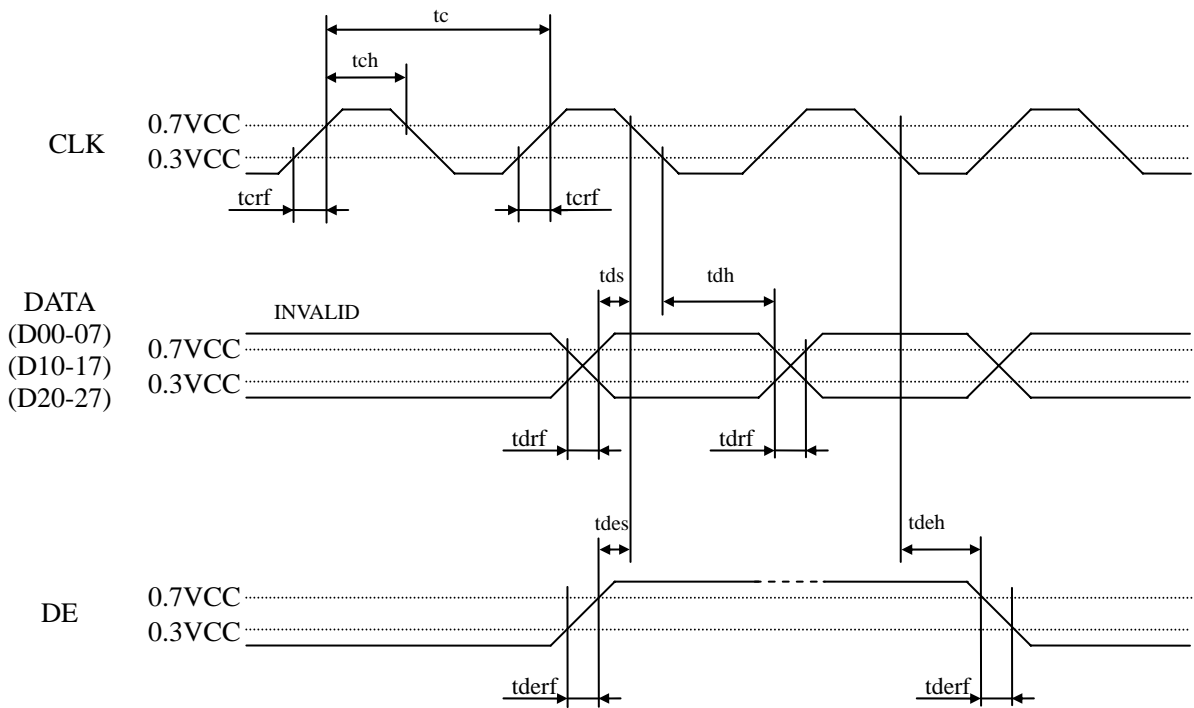
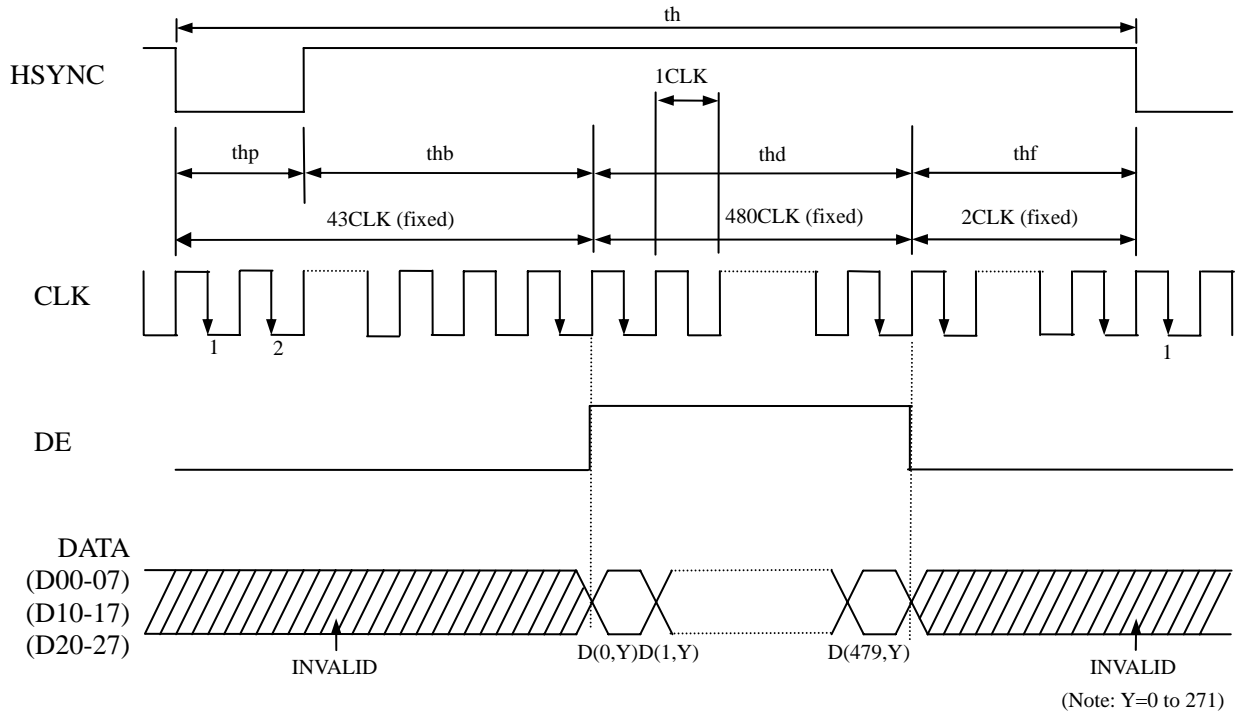
PRELIMINARY

(2) Input signal timing chart



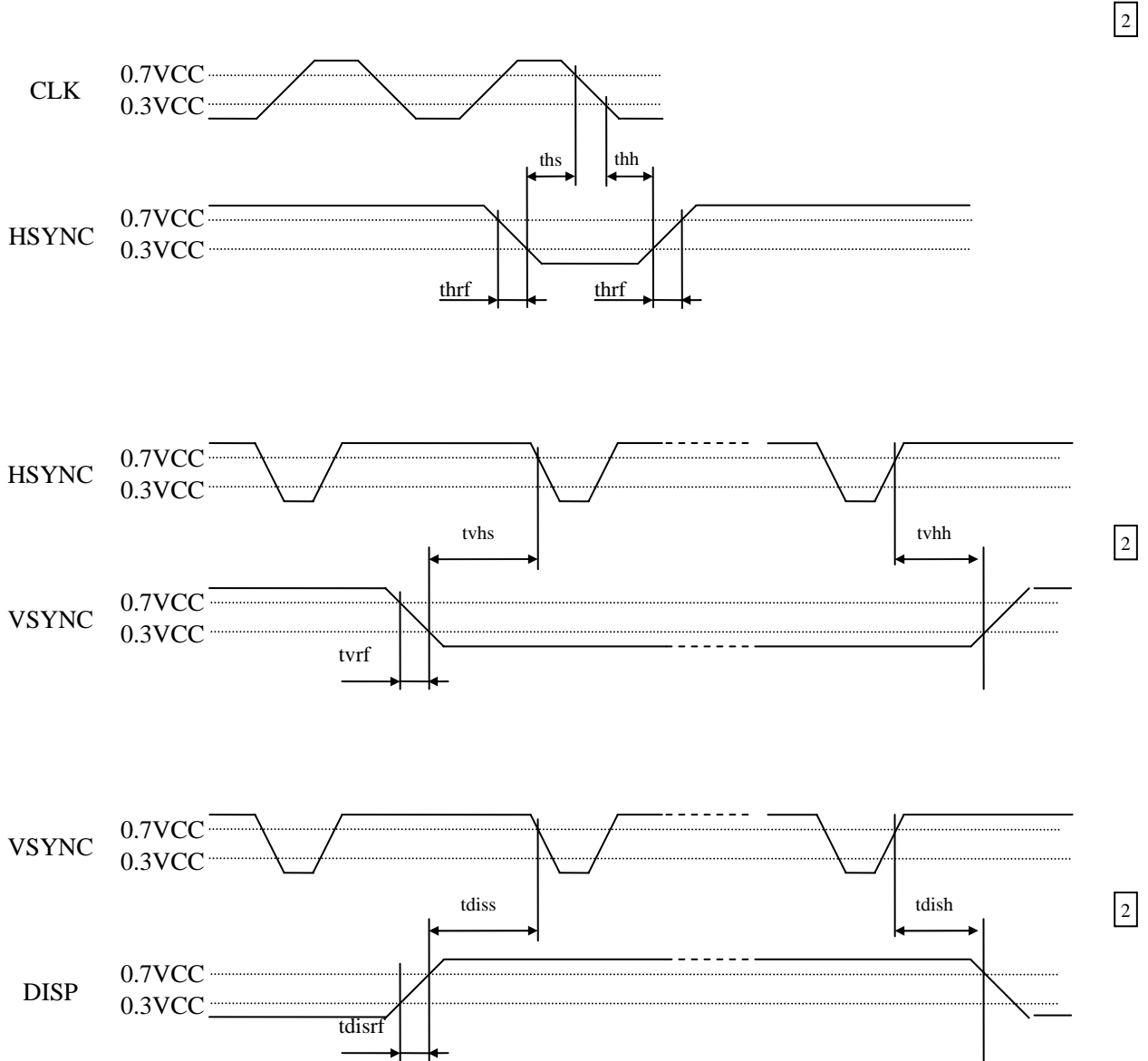
Note1: Unless otherwise specified, the input level is defined to be $V_{IH} = 0.7V_{CC}$, $V_{IL} = 0.3V_{CC}$.

PRELIMINARY



2

PRELIMINARY



Note1: Unless otherwise specified, the input level is defined to be $V_{IH} = 0.7V_{CC}$, $V_{IL} = 0.3V_{CC}$.

PRELIMINARY

4.10 OPTICAL CHARACTERISTICS

(Note1, Note2)

| Parameter | Condition | Symbol | min. | typ. | max. | Unit | Remarks |
|----------------------|--|--------|------|------|------|-------------------|---------|
| Luminance | White at center $\theta R=0^\circ, \theta L=0^\circ, \theta U=0^\circ, \theta D=0^\circ$ | L | TBD | 600 | - | cd/m ² | - |
| Contrast ratio | White/Black at center $\theta R=0^\circ, \theta L=0^\circ, \theta U=0^\circ, \theta D=0^\circ$ | CR | 300 | 500 | - | - | Note3 |
| Luminance uniformity | White $\theta R=0^\circ, \theta L=0^\circ, \theta U=0^\circ, \theta D=0^\circ$ Maximum luminance: 100% | LU | 70 | 80 | - | % | Note4 |

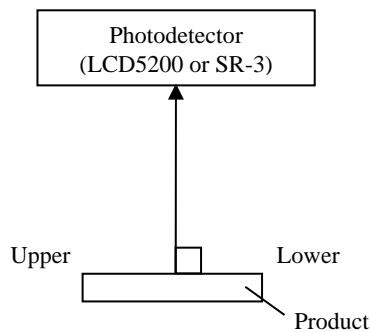
Reference data

(Note1, Note2)

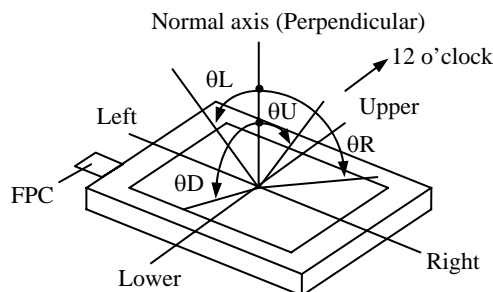
| Parameter | Condition | Symbol | min. | typ. | max. | Unit | Remarks |
|--------------------------|---|--|------------|------|------|------|----------------|
| Chromaticity coordinates | White | W _x | - | TBD | - | - | Note5 |
| | | W _y | - | TBD | - | - | |
| Color gamut | $\theta R=0^\circ, \theta L=0^\circ, \theta U=0^\circ, \theta D=0^\circ$ at center, against NTSC color space | C | 50 | 60 | - | % | |
| Response time | White to black | T _{on} | - | 8 | - | ms | Note6 Note7 |
| | Black to white | T _{off} | - | 25 | - | | |
| Viewing angle | Right | $\theta U=0^\circ, \theta D=0^\circ, CR \geq 10$ | θR | - | 60 | - | - |
| | Left | $\theta U=0^\circ, \theta D=0^\circ, CR \geq 10$ | θL | - | 60 | - | |
| | Up | $\theta R=0^\circ, \theta L=0^\circ, CR \geq 10$ | θU | - | 60 | - | |
| | Down | $\theta R=0^\circ, \theta L=0^\circ, CR \geq 10$ | θD | - | 40 | - | |

Note1: Measurement conditions are as follows.

T_a = 25°C, VCC = 3.0V, VDD = 5.0V, I_L = 20mA, with touch panel



Note2: Definition of viewing angles



Note3: Definition of contrast ratio

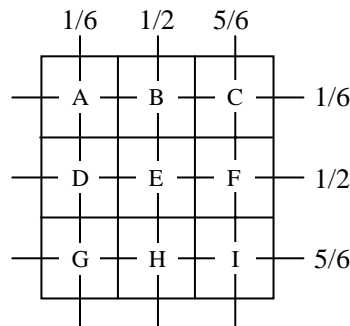
The contrast ratio is calculated by using the following formula.

$$\text{Contrast ratio (CR)} = \frac{\text{Luminance of white screen}}{\text{Luminance of black screen}}$$

Note4: Definition of luminance uniformity

Luminance uniformity is calculated by using the following formula.

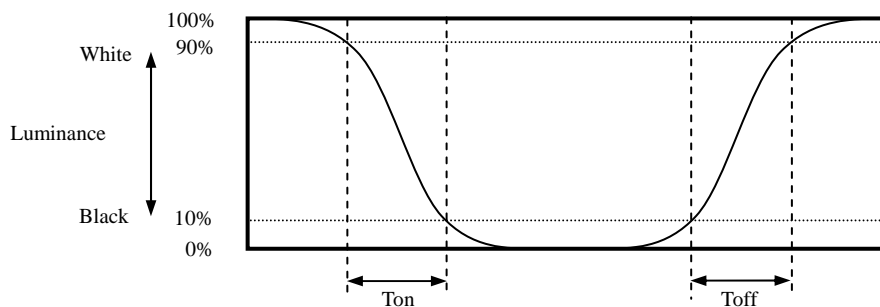
$$\text{Luminance uniformity (LU)} = \frac{\text{Minimum luminance from A to I}}{\text{Maximum luminance from A to I}} \times 100$$



Note5: The White chromaticity coordinates are deviated by the LED deviation in addition to color filter deviation.

Note6: Definition of response times

Response time is measured, the luminance changes from "white" to "black", or "black" to "white" on the same screen point, by photo-detector. Ton is the time it takes the luminance change from 90% down to 10%. Also Toff is the time it takes the luminance change from 10% up to 90% (See the following diagram.).



Note7: Product surface temperature: Top= 25°C

PRELIMINARY

5. RELIABILITY TESTS

(Note1)

| Test item | Condition | Judgment |
|--|---|--|
| High temperature and humidity (Operation) | ① $60 \pm 2^\circ\text{C}$, RH= 90%, 240 hours ② Display data is black. | No display malfunctions |
| Heat cycle (Operation) | ① $-20 \pm 3^\circ\text{C}$...1 hour $70 \pm 3^\circ\text{C}$...1 hour ② 50 cycles, 4 hours/cycle ③ Display data is black. | |
| Thermal shock (Non operation) | ① $(-30) \pm 3^\circ\text{C}$...30 minutes $(80) \pm 3^\circ\text{C}$...30 minutes ② 100 cycles, 1 hour/cycle ③ Temperature transition time is within 5 minutes. | |
| Low pressure (Non operation) | ① 15kPa ② $(-30) \pm 3^\circ\text{C}$...24 hours ③ $(80) \pm 3^\circ\text{C}$...24 hours | |
| Low pressure (Operation) | ① 53.3kPa ② $-20 \pm 3^\circ\text{C}$...24 hours ③ $70 \pm 3^\circ\text{C}$...24 hours | |
| ESD (Operation) | ① 150pF, 150Ω, ±10kV ② 3 places on a panel surface ③ 10 times each places at 1 sec interval | |
| Dust (Operation) | ① Sample dust: No. 15 (by JIS-Z8901) ② 15 seconds stir ③ 8 times repeat at 1 hour interval | |
| Vibration (Operation) | ① 30 to 100Hz, 19.6m/s^2 (2G) ② 30 minutes/cycle ③ X, Y, Z direction ④ 1 times each directions | No display malfunctions No physical damages |
| Mechanical shock (Non operation) | ① $3,920\text{m/s}^2$, 2.5ms ② ±X, ±Y, ±Z direction ③ 1 times each directions | |

Note1: Display and appearance are checked under environmental conditions equivalent to the inspection conditions of defect specifications.

6. PRECAUTIONS

6.1 MEANING OF CAUTION SIGNS

The following caution signs have very important meaning. **Be sure to read "6.2 CAUTIONS" and "6.3 ATTENTIONS", after understanding these contents!**



This sign has the meaning that customer will be injured by himself or the product will sustain a damage, if customer has wrong operations.



This sign has the meaning that customer will get an electrical shock, if customer has wrong operations.



This sign has the meaning that customer will be injured by himself, if customer has wrong operations.

6.2 CAUTIONS



*** Do not touch the working backlight. There is a danger of an electric shock.**



*** Do not touch the working backlight. There is a danger of burn injury.**
*** Do not shock and press the LCD panel and the backlight! There is a danger of breaking, because they are made of glass. (Shock: To be not greater 3,920m/s² and to be not greater 2.5ms)**

6.3 ATTENTIONS



6.3.1 Handling of the product

- ① Take hold of both ends without touching the FPC when the product (LCD module) is picked up from the tray.
- ② Do not hook nor pull the FPC in order to avoid any damage.
- ③ When the product is put on the table temporarily, display surface must be placed downward.
- ④ When handling the product, take the measures of electrostatic discharge with such as earth band, ionic shower and so on, because the product may be damaged by electrostatic.
- ⑤ The product must be installed and/or handled without any stress such as bends or twist. Bends, twist or any stress to any portion may cause display failures. And also do not put heavy or hard materials on the product.
- ⑥ Do not hit or rub the surface of touch panel with hard materials, because it is easily scratched. (Polarizer pencil-hardness: 3H)
- ⑦ When cleaning the T/P surface, wipe it with a soft dry cloth.
- ⑧ Do not push nor pull the FPC while the product is working.
- ⑨ Do not fold the FPC. When the FPC is folded, pattern disconnection may be caused. In case of bending FPC, the minimum curvature (R) must be more than 1.0 mm.
- ⑩ When installing the product, do not contact a conductor such as a metal to the FPC excluding the terminal area. There is a risk of short circuit which is caused by breakage of insulation layer of the FPC.

- ⑪ When installing the product, apply the waterproof design to avoid going of water into the product.
- ⑫ If the product is subjected to direct sunlight for a long time, touch panel transmission may be degraded.

6.3.2 Environment

- ① Do not operate or store in high temperature, high humidity, dewdrop atmosphere or corrosive gases. Keep the product in packing box with antistatic pouch in room temperature to avoid for dusts and sunlight, when storing the product.
- ② In order to prevent dew condensation occurring by temperature difference, the product packing box should be opened after enough time being left under the environment of an unpacking room. Evaluate the leaving time sufficiently because a situation of dew condensation occurring is changed by the environmental temperature and humidity. (Recommended leaving time: 6 hours or more with packing state)
- ③ Do not operate in high magnetic field. Circuits may be broken down by it.
- ④ This product is not designed as radiation hardened.

6.3.3 Characteristics

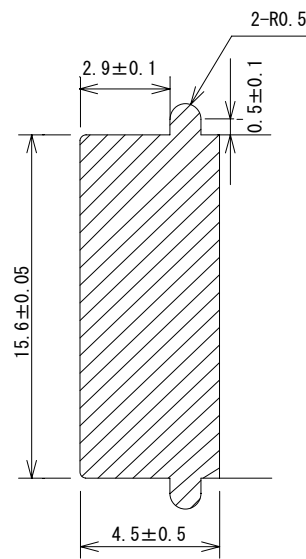
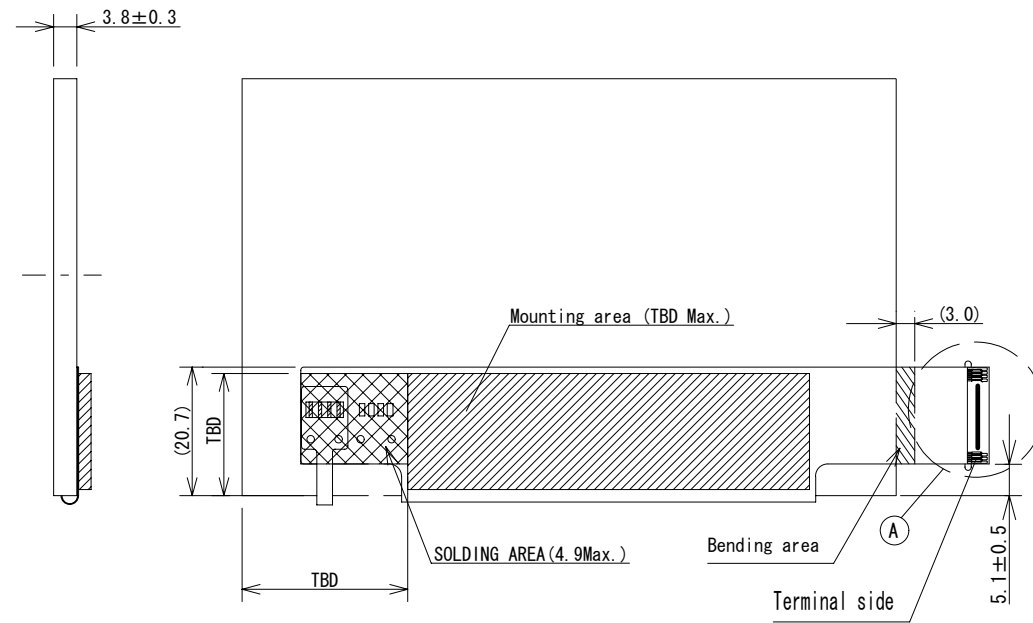
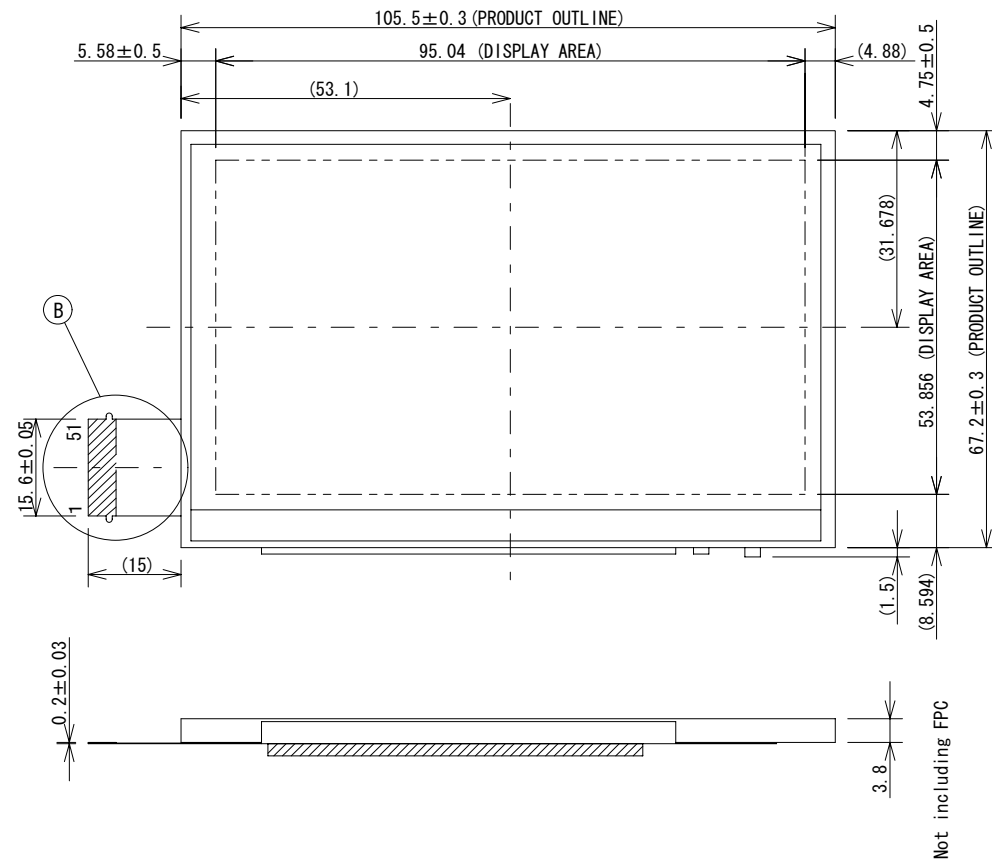
The following items are neither defects nor failures.

- ① Response time, luminance and color may be changed by ambient temperature.
- ② Display mura, flicker, vertical seam or small spot may be observed depending on display patterns.
- ③ Do not display the fixed pattern for a long time because it may cause image sticking.
- ④ Optical characteristics may be changed depending on input signal timings.

6.3.4 Other

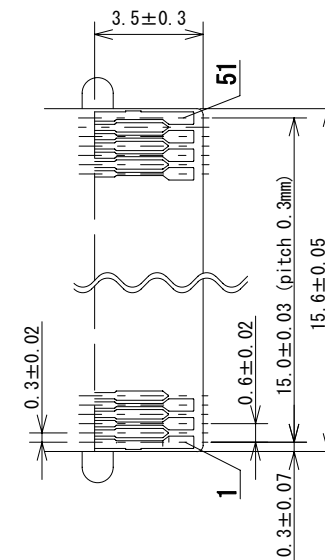
- ① All GND terminals should be used without any non-connected lines.
- ② Do not disassemble the product.
- ③ Pack the product with original shipping package, in order to avoid any damages during transportation, when returning the product to NEC.

7. OUTLINE DRAWINGS



STIFFENER

Detail B



Adaptable connector: HIROSE FH23-51S-0.3SHW(06)

Detail A

| Pin No. | Symbol | Pin No. | Symbol |
|---------|--------|---------|----------|
| 1 | GND | 26 | D17 |
| 2 | VDD | 27 | D20 |
| 3 | VDD | 28 | D21 |
| 4 | GND | 29 | D22 |
| 5 | DE | 30 | D23 |
| 6 | /RESET | 31 | D24 |
| 7 | HSYNC | 32 | D25 |
| 8 | VSYNC | 33 | D26 |
| 9 | CLK | 34 | D27 |
| 10 | GND | 35 | GND |
| 11 | D00 | 36 | RSVD |
| 12 | D01 | 37 | RSVD |
| 13 | D02 | 38 | RSVD |
| 14 | D03 | 39 | DISP |
| 15 | D04 | 40 | TEST |
| 16 | D05 | 41 | VCC |
| 17 | D06 | 42 | GND |
| 18 | D07 | 43 | N. C. |
| 19 | D10 | 44 | N. C. |
| 20 | D11 | 45 | N. C. |
| 21 | D12 | 46 | N. C. |
| 22 | D13 | 47 | GND |
| 23 | D14 | 48 | ANODE1 |
| 24 | D15 | 49 | CATHODE1 |
| 25 | D16 | 50 | ANODE2 |
| | | 51 | CATHODE2 |

Note1: The values in parentheses are for reference.

Note2: When installing the product to the customer equipment, do not apply any stress to rear side of the product, FPC, Soldering Area and Mounting Area. If not, it may cause display mura or break down of the product.

Note3: While the product is working, do not contact a conductor such as a metal to the Soldering Area and Mounting Area of the FPC.

Unit: mm

PRELIMINARY


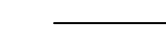


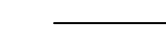


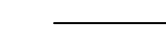

REVISION HISTORY

The inside of latest specifications is revised to the clerical error and the major improvement of previous edition. Only a changed part such as functions, characteristic value and so on that may affect a design of customers, are described especially below.

| Edition | Document number | Prepared date | Revision contents and signature |
|-------------|-----------------|---------------|--|
| 1st edition | DOD-PP-0360 | Sep. 3, 2007 | <p>Revision contents</p> <p>New issue</p> <p>Writer <i>Approved by</i> _____ <i>Checked by</i> _____ <i>Prepared by</i> _____ T. OGAWA _____ E. KATAYAMA _____</p> |
| 2nd edition | DOD-PP-0397 | Oct. 15, 2007 | <p>Revision contents</p> <p>P5 General specifications</p> <ul style="list-style-type: none"> • Module size: 105.5 (H) × 67.2 (V) × TBD (D)mm (typ.) → 105.5 (H) × 67.2 (V) × 3.8 (D)mm (typ.) • Weight: TBD → 51 g (typ.) • Luminance: 550cd/m² (typ.) → 600cd/m² (typ.) • Response time: 25ms (typ.) → 33ms (typ.) • Supply voltage-VCC: 2.5V → 3.0V (typ.) • Power consumption <ul style="list-style-type: none"> • LCD panel + Driver: TBD (typ.) → (125)mW (typ.) • Backlight: TBD (typ.) → (512)mW (typ.) <p>P6-7 Block diagram</p> <ul style="list-style-type: none"> • DISP (addition) • Pin No.39,40 (addition) • VCC: +2.5V → +3.0V <p>P8 Mechanical specifications</p> <ul style="list-style-type: none"> • Module size: 105.5 ± 0.3 (W) × 67.2 ± 0.3 (H) × TBD ± 0.3 (D)mm (typ.) → 105.5 ± 0.3 (W) × 67.2 ± 0.3 (H) × 3.8 ± 0.3 (D)mm (typ.) • Weight: TBD → 51g (typ.), 53g (max.) <p>P8 Absolute maximum ratings</p> <ul style="list-style-type: none"> • Backlight: VR: ≤25 → ≤20 (V), PD: ≤615 → ≤492 (mW) • Relative humidity: ≤36 (%) (addition) • Absolute humidity Remarks: Ta > 60°C → Ta > 70°C • Note4: Ta= 60°C and RH= 55% → Ta= 70°C and RH= 36% <p>P9 Logic/ LCD driving</p> <ul style="list-style-type: none"> • VCC: TBD (min.), 2.5 (typ.), TBD (max.) → 2.3 (min.) 3.0 (typ.), 3.6 (max.) (V) • VDD: TBD (min.), TBD (max.) → 4.8 (min.), 5.2 (max.) (V) • VIH: 0.8VCC → 0.7VCC (V), VIL: 0.2VCC → 0.3VCC (V) • ICC: TBD (typ.) → (4.0) (typ.) (mA), Remarks: VCC: 2.5V → 3.0V • IDD: TBD (typ.) → (22.5) (typ.) (mA), Remarks: VCC: 2.5V → 3.0V • Note1: T PPHCK= 8.69MHz, HSYNC= 16.56kHz, VSYNC= 60Hz → PPHCK= (10.87)MHz, HSYNC= (20.7)kHz, VSYNC= (75)Hz <p>P9 Backlight</p> <ul style="list-style-type: none"> • Forward voltage: (16.0) (typ.), TBD (max.) → 12.8 (typ.), 14 (max.) (V) <p>P9-10 Power supply voltage sequence</p> <ul style="list-style-type: none"> • Diagram (revision) • Note1 (change), Note2 (addition) <p>P10 Interface pin connections</p> <ul style="list-style-type: none"> • Pin No.39: RSVD → DISP, Pin No.40: N.C. → TEST <p>P11 Description of terminals</p> <ul style="list-style-type: none"> • DISP (addition) • Circuits of backlight (revision) <p>P14 Input signal timing</p> <ul style="list-style-type: none"> • VCC= 2.5V → VCC= 3.0V |

PRELIMINARY

REVISION HISTORY

| Edition | Document number | Prepared date | Revision contents and signature | | | | | | | | | |
|---|--|---|--|-------------|------------|-------------|---|--|---|----------|--|----------|
| 2nd edition | DOD-PP-0397 | Oct. 15, 2007 | <p>Revision contents</p> <p>P14 Timing characteristics</p> <ul style="list-style-type: none"> • CLK-frequency: TBD (min.), 8.69 (typ.) → (8.69) (min.), (10.87) (typ.) (MHz) Rise time, Fall time: TBD (max.) → (2) (max.) (ns) • DATA-Rise time, Fall time: TBD (max.) → (2) (max.) (ns) • DE-Rise time, Fall time: TBD (max.) → (2) (max.) (ns) • HSYNK-cycle: 60.4 (typ.), TBD (max.) → (48.3) (typ.), (60.4) (max.) (μs) Remarks: 16.56 kHz → (20.7) kHz Rise time, Fall time: TBD (max.) → (2) (max.) (ns) • VSYNK-cycle: 16.59 (typ.), TBD (max.) → (13.33) (typ.), (16.67) (max.) (ms) Remarks: 60 Hz → (75) Hz Rise time, Fall time: TBD (max.) → (2) (max.) (ns) • VSYNC-HSYNC timing → VSYNC-HSYNC: Setup time, Hold time (revision) • DISP (addition) <p>P15-17 Input signal timing chart</p> <ul style="list-style-type: none"> • VIH: 0.8VCC → 0.7VCC (V), VIL: 0.2VCC → 0.3VCC (V) • HSYNC-VSYNC (revision) • VSYNC-DISP (addition) <p>P18 Optical characteristics</p> <ul style="list-style-type: none"> • Luminance: 550cd/m² (typ.) → 600cd/m² (typ.) • Luminance uniformity: 60 (min.) → 70 (min.) (%) • Response time: Ton: TBD (typ.) → 8 (typ.)(ms), Toff: TBD (typ.) → 25 (typ.)(ms) • Viewing angle: θR, θL: 50 (typ.) → 60 (typ.) (°), θU: 70 (typ.) → 60 (typ.) (°) • Note1: VCC= 2.5V → VCC= 3.0V <p>P23 Outline drawings is revised.</p> <p>Signature of writer</p> <table style="width: 100%; border: none;"> <tr> <td style="text-align: center; width: 33%;">Approved by</td> <td style="text-align: center; width: 33%;">Checked by</td> <td style="text-align: center; width: 33%;">Prepared by</td> </tr> <tr> <td style="text-align: center;"></td> <td style="text-align: center;"></td> <td style="text-align: center;"></td> </tr> <tr> <td style="text-align: center;">T. OGAWA</td> <td style="text-align: center;"></td> <td style="text-align: center;">T. OGAWA</td> </tr> </table> | Approved by | Checked by | Prepared by |  |  |  | T. OGAWA | | T. OGAWA |
| Approved by | Checked by | Prepared by | | | | | | | | | | |
|  |  |  | | | | | | | | | | |
| T. OGAWA | | T. OGAWA | | | | | | | | | | |
| | | | | | | | | | | | | |