



Ceramic Singlelayer Feed-Through Capacitors 400V_{DC}

DESIGN:

Feed-through capacitor, bushing-mount type

RATED VOLTAGE U_R:

400V_{DC} (280V_{RMS})

DIELECTRIC STRENGTH BETWEEN LEADS:

1250V_{DC} 1s

DISSIPATION FACTOR tan δ:

Ceramic Class 1: see General Information

Ceramic Class 2: $\leq 25 \cdot 10^{-3}$

INSULATION RESISTANCE R_{is}:

Ceramic Class 1: $\geq 1 \cdot 10^{10}\Omega$

Ceramic Class 2: $\geq 5 \cdot 10^9\Omega$

CATEGORY TEMPERATURE RANGE ϑ_A :

Ceramic Class 1: (- 55 to + 125)°C

Ceramic Class 2: (- 25 to + 85)°C

PERMISSIBLE REACTIVE POWER:

5.4VAr (Class 2), 100VAr (Class 1B,1F)

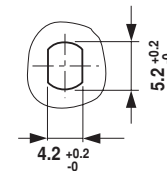
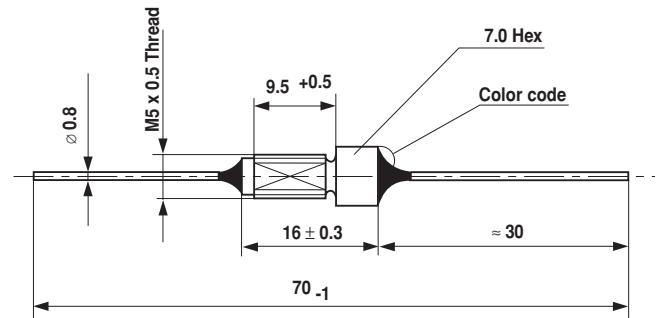
DIRECT CURRENT I_{DC}:

10A

MAXIMUM PERMISSIBLE TORQUE:

0.6 Nm (clearance hole mounting)

0.4 Nm (threaded hole mounting)



• Dimensions in mm

Recommended Mounting Hole

PERMISSIBLE POWER LOSS:

150mW

MARKING:

Capacitance value, Tolerance letter, Ceramic dielectric color code

MOUNTING HARDWARE:

A threaded nut (7.0 HEX) is supplied in bulk

CLASS	CERAMIC DIELECTRIC	CAPACITANCE VALUES (pF)	TOLERANCE
1B	P 100	47	± 10%, ± 20%
	N 470	68	
		75	
	N 750	100	
1F	N 1500	150	± 20%, - 20 + 50%
		200	
		220	
2	R 700	240	± 20%, - 20 + 50%
		330	
		470	
		680	
		1000	
	R 2000	1500	
	R 4000	3300	
R 6000	4700	- 20 + 50%, - 20 + 80%	

• other capacitance values are available on request

ORDERING INFORMATION

DDML 0315	400V _{DC}	4700pF	- 20 + 80%	R 6000
-----------	--------------------	--------	------------	--------