

### ELECTRICAL CHARACTERISTICS

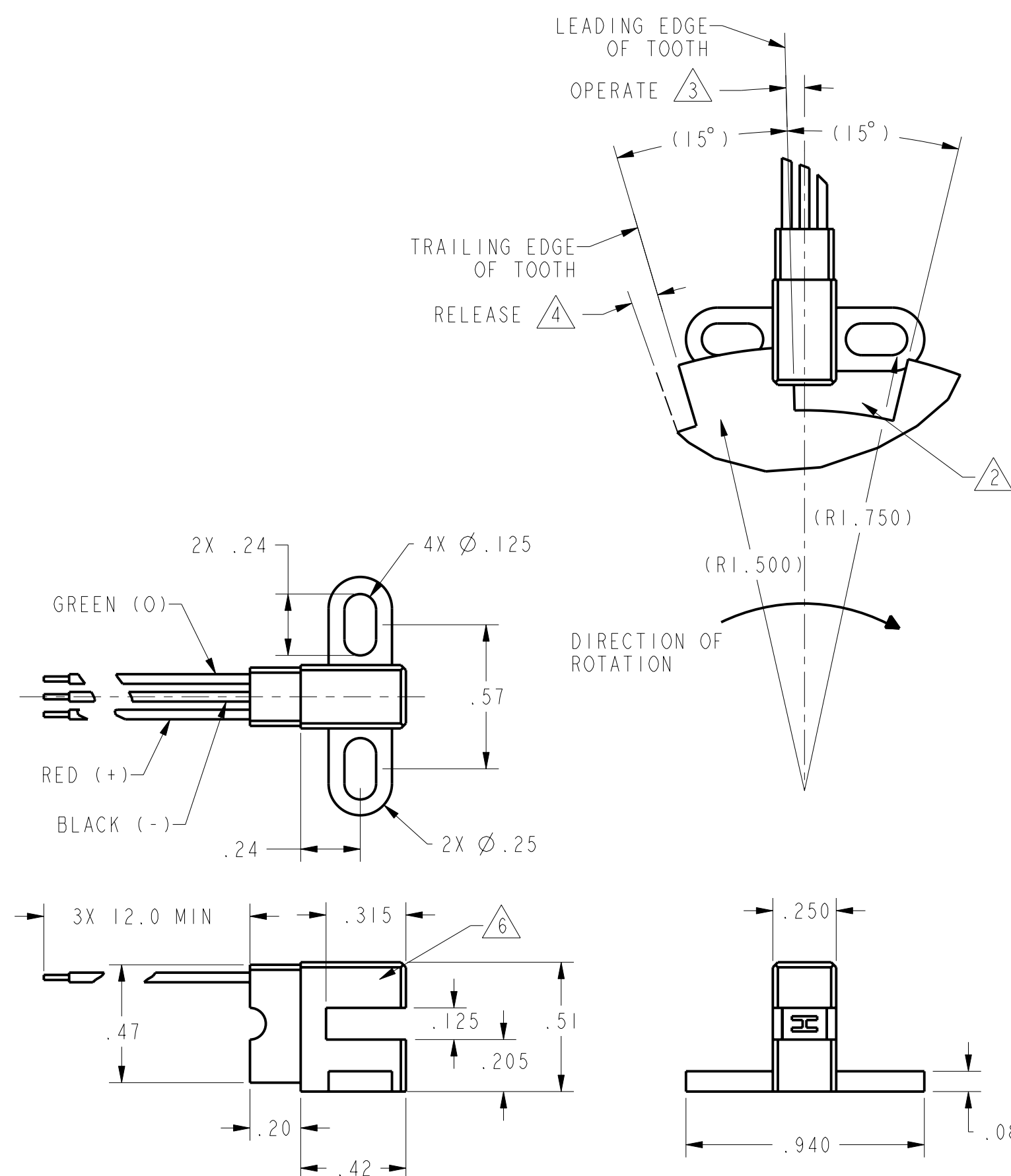
|                         | CONDITION  |               |
|-------------------------|--|---------------|
| SPECIFIED VOLTAGE RANGE |  | 3.8 TO 30 VDC |
| MAX I <sub>off</sub>    | V <sub>cc</sub> =30V, I <sub>sink</sub> =20mA, -20°C<T<+85°C, B>MAX OP     | 9.0 mA        |
| MAX I <sub>on</sub>     | V <sub>cc</sub> =30V, I <sub>sink</sub> =20mA, -20°C<T<+85°C, B>MAX OP     | 10.0 mA       |
| RATED SINK CURRENT      |  | 20 mA         |
| MAX V <sub>sat</sub>    | V <sub>cc</sub> =3.8V, I <sub>sink</sub> =20mA, B>MAX OP                   | 0.4 V         |
| MAX LEAKAGE CURRENT     | V <sub>out</sub> =30V, V <sub>cc</sub> =24V, B<MIN REL                     | 10 μA         |
| RISE TIME 10% TO 90%    | T=25°C, V <sub>cc</sub> =12V, R <sub>2</sub> =1.6 kΩ, C <sub>2</sub> =20pf | 1.5 μS        |
| FALL TIME 90% TO 10%    | T=25°C, V <sub>cc</sub> =12V, R <sub>2</sub> =1.6 kΩ, C <sub>2</sub> =20pf | 1.5 μS        |

### OPERATING SPECIFICATION

|         | LIMIT     | CONDITIONS                                      |
|---------|-----------|---|
| OPERATE | 1.5°±2.0° | TARGET ENGAGEMENT .150 TO .300<br>RPM 0 TO 5000 |
| RELEASE | 3.0°±2.5° | SLOT DEPTH .250 MIN                             |

### ABSOLUTE MAXIMUM RATINGS

|                                      |   |
|--------------------------------------|---|
| TEMPERATURE                          | -20°C TO +85°C  |
| SUPPLY VOLTAGE (V <sub>s</sub> )     | 3.8 VDC TO 30 VDC   |
| VOLTAGE EXTERNALLY APPLIED TO OUTPUT | -0.5 TO +30 VDC   |
| OUTPUT CURRENT                       | 50 mA   |
| MAGNETIC FLUX                        | NO LIMIT, CIRCUIT CANNOT BE DAMAGED BY MAGNETIC OVERDRIVE |



#### NOTES

- 1 - MOUNTING SPECIFICATION: NON-FERROUS #4 MACHINE HEAD SCREWS WITH .25 OD WASHERS TORQUED TO 3-5 INCH LBS.
- 2 SUGGESTED TARGET CONFIGURATION, MATERIAL: .045 LOW CARBON STEEL, HIGH PERMEABILITY, LOW RESIDUAL INDUCTION
- 3 OPERATE (DEGREES) IS THE ANGULAR DISTANCE FROM THE LEADING EDGE OF THE TOOTH TO THE CENTERLINE OF THE SENSOR
- 4 RELEASE (DEGREES) IS THE ANGULAR DISTANCE FROM THE TRAILING EDGE OF THE TOOTH TO THE CENTERLINE OF THE SENSOR
- 5 OPERATING SPECIFICATION IS BASED ON TARGET SHOWN AND WILL VARY WITH TARGET GEOMETRY
- 6 HONEYWELL PART NUMBER AND DATE CODE, ANY SURFACE



|  |      |   |   |  |                  |             |   |              |                 |          |
|--|------|---|---|--|------------------|-------------|---|--------------|-----------------|----------|
| UNLESS OTHERWISE SPECIFIED TOLERANCES ARE: |      | <input checked="" type="checkbox"/> US (inch) CUSTOMARY | <input type="checkbox"/> SI (mm) METRIC | DRAWN  | LJK              | 28NOV00     | <b>Honeywell</b><br>Sensing and Control |              |                 |          |
| NO PLACE                                   | X    | ±.040   | ±1                                      | CHECK  | SAV              | 28NOV00     |   |              |                 |          |
| ONE PLACE                                  | .X   | ±.030   | ±0,4                                    | THIS DRAWING COVERS A PROPRIETARY ITEM AND IS THE PROPERTY OF HONEYWELL SENSING AND CONTROL. THIS DRAWING IS NOT TO BE COPIED OR USED WITHOUT THE PERMISSION OF HONEYWELL. |                  |             | TITLE<br><b>VANE SENSOR (MAGNETIC),</b> |              |                 |          |
| TWO PLACE                                  | .XX  | ±.015   | ±0,15                                   |  |                  |             |   |              |                 |          |
| THREE PLACE                                | .XXX | ±.005   | ±                                       |  |                  |             | SIZE                                    | DWG TYPE     | DRAWING NAME    | REV      |
| ANGLES                                     |      | ±   | ±                                       | DIMENSIONS ARE TO BE MET BEFORE PROTECTIVE COATINGS ARE APPLIED  |                  |             | <b>C</b>                                | <b>M</b>     | <b>SR17C-J6</b> | <b>5</b> |
| RAW MATERIAL-COMMERCIAL STANDARD           |      |   |   | 3D PTC   | ASME Y14.5M-1994 | SCALE 2 : 1 | WEIGHT                                  | SHEET 1 OF 1 |                 |          |

