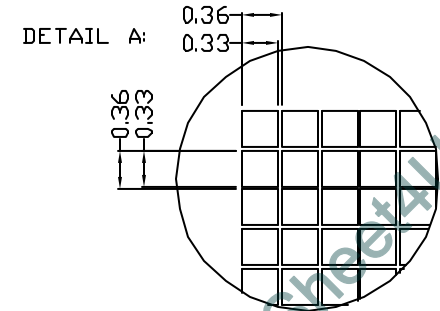
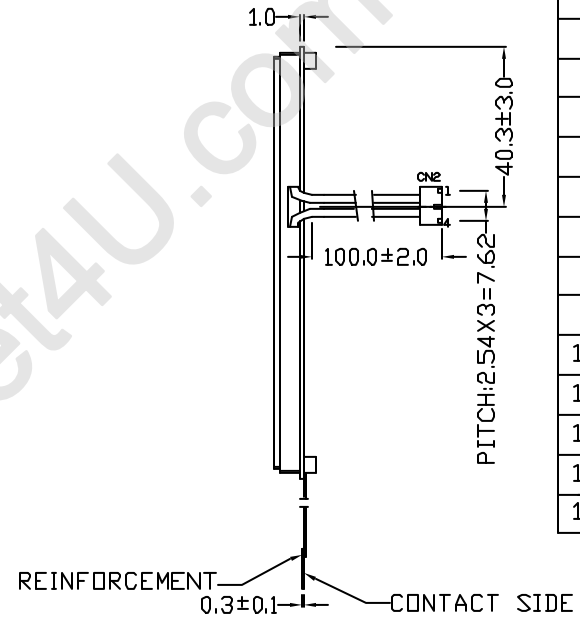
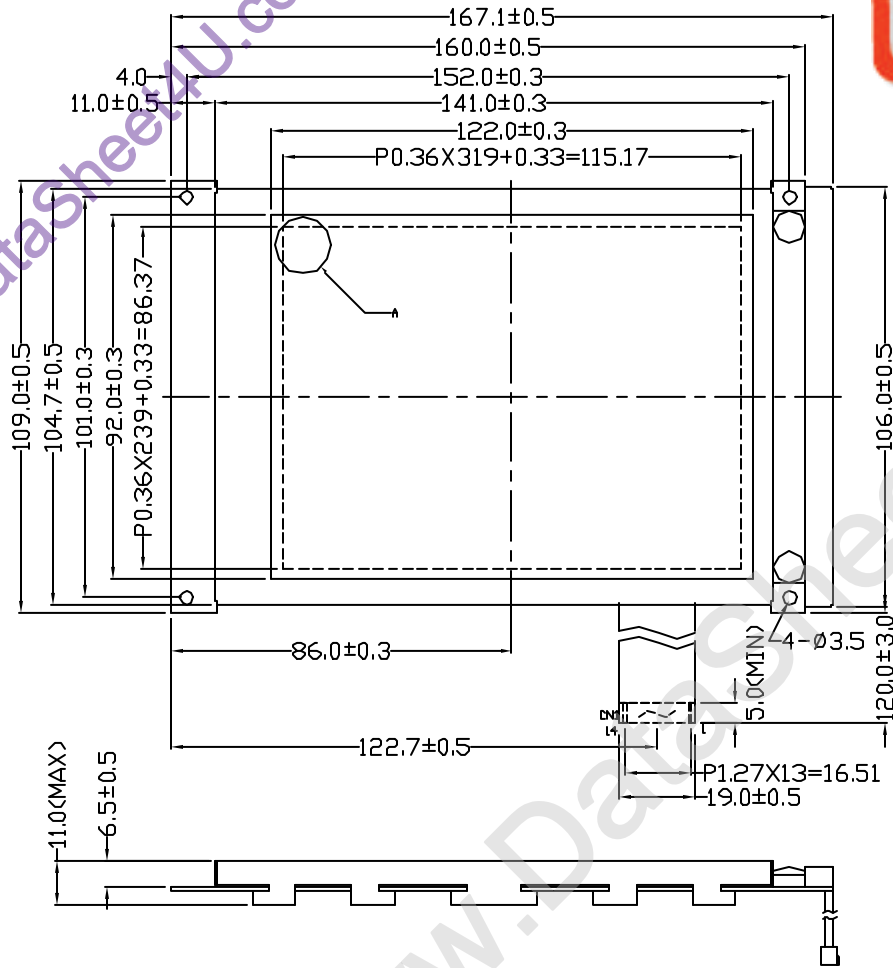


液晶之友 电话: 020-33819057
 Http://www.lcdfriends.com



PIN NO.	SYMBOL	PIN ASSIGNMENT	
		PIN NO.	SYMBOL
1	D0	1	CFL HOT
2	D1	2	N.C.
3	D2	3	N.C.
4	D3	4	FL GND
5	DISP OFF		
6	FLM		
7	N.C.		
8	LP		
9	CP		
10	Vcc		
11	Vss		
12	Vee		
13	VedJ		
14	FG		

- NOTES:
- 1.DISPLAY TYPE: STN or FSTN
 - 2.VIEWING DIRECTION: 6:00 or 12:00
 - 3.POLARIZER MODE: REFLECTIVE or TRANSFLECTIVE
 - 4.OPERATING TEMP: NORMAL or WIDE
 - 5.STORAGE TEMP: NORMAL or WIDE
 - 6.LCD OPERATING VOLTAGE: 22.6V
 - 7.DRIVE METHOD: 1/240 DUTY 1/16 BIAS
 - 8.UNMARKED TOLERANCE: ±0.3mm
 - 9.BACKLIGHT TYPE: NONE, CCFL, or LED



TIAN-MA MICROELECTRONICS CO.

6/F., CASTIC Building, Shennan Road, Central, Shenzhen, China

DRAWN BY:	TITLE: TM320240D	
CHECKED BY:	DWG NO: G-1	
APPROVED BY:	DWG NAME: TM320240DFGG-1	SCALE
CONFIRMED BY:	SHEET NO: 01	UNIT: mm